



**ECOTEK CANADA PROMOTION TRADE CORPORATION**  
**REGISTERED ADDRESS:**  
 1188 West Georgia Street, Unit 1440, Vancouver, B.C, Canada, V6E 4A2  
 Tel: +1 (778) 928-5580  
 Co. Reg. No.: BC0895460  
 www.ecotek-canada.vn

**ORIGINAL**

## VALVE REGULATED LEAD ACID BATTERY



Our high quality VRLA batteries are developed with state-of-the-art technology.

- Absorbent Glass Mat (AGM) technology
- Long life
- Small size
- No leakage
- Low self discharge
- No water or electrolyte supplement is required
- Maintenance-free
- They have been widely used in UPS, and other kinds of back-up power.

# ECT-UP12100VA18

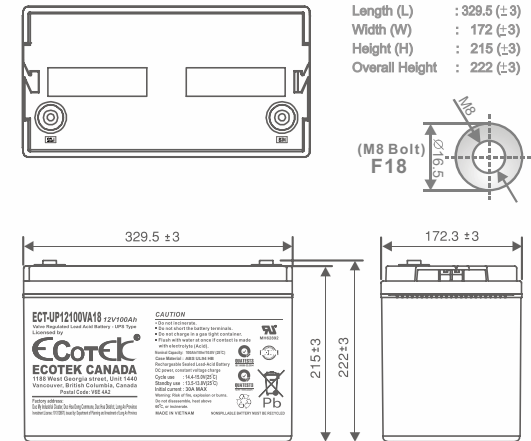
**12V100Ah**  
**MAINTENANCE-FREE**

### Product



**SẢN PHẨM KHÔNG CẦN BẢO DƯỠNG**  
**ĐƯỢC BẢO HIỂM TRÁCH NHIỆM LÊN ĐẾN 2 TRIỆU USD**

### Dimension(mm)



### Specifications

<b>Nominal Voltage(V)</b>	12V	
<b>Nominal Capacity</b>		
10 hour rate (10A to 10.80V)		<b>100Ah</b>
5 hour rate (17A to 10.20V)		<b>85Ah</b>
1 hour rate (60A to 9.60V)		<b>60Ah</b>
<b>Weight</b>	Approx. <b>31.3kg</b>	
<b>Internal Resistance (at 1KHz)</b>	Approx. <b>4m Ω</b>	
<b>Maximum Discharge Current for 5 seconds:</b>	<b>1200A</b>	
<b>Design life</b>	<b>10-12 years</b>	
<b>Case Material</b>	ABS - Flame retardant rating of <b>UL94 HB</b> Option: <b>UL94 V-0</b>	
<b>Terminal</b>	<b>F18</b>	

### Charging Methods at 25°C(77°F)

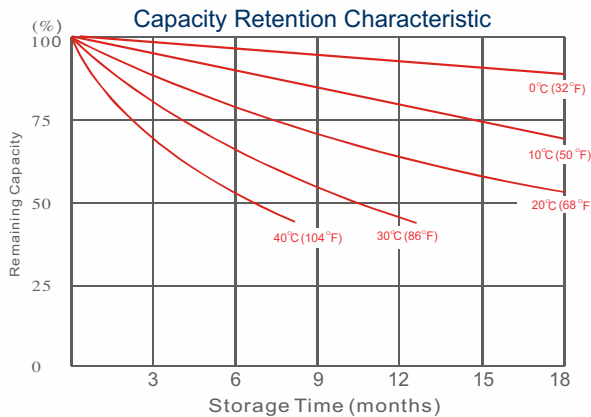
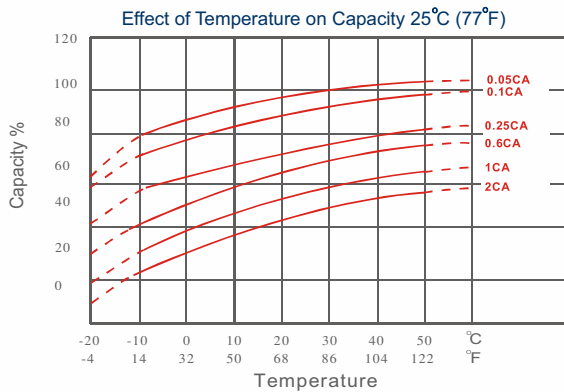
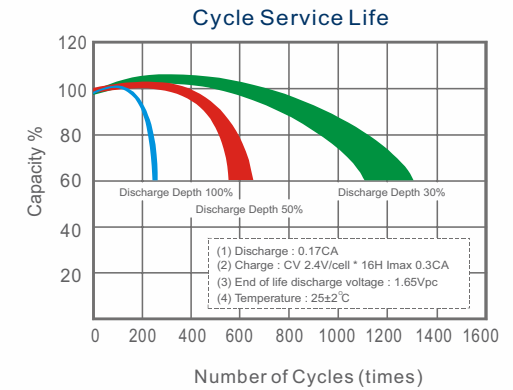
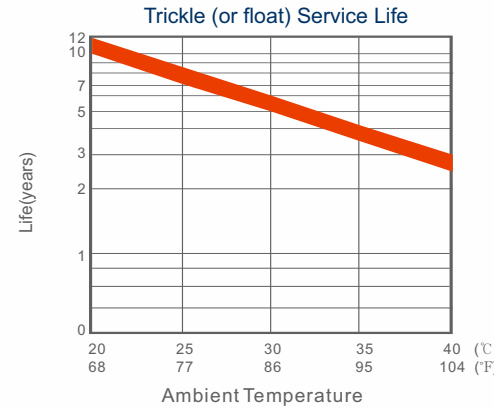
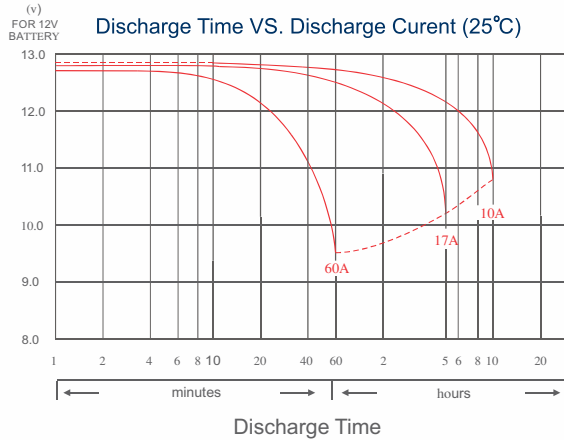
<b>Cycle use:</b>	
Charging Voltage	<b>14.4 to 15.0V</b>
Coefficient -5.0mV/°C/cell	
Maximum Charging Current	<b>30A</b>
<b>Standby use:</b>	
Float Charging Voltage	<b>13.50 to 13.80V</b>
Coefficient -3.0mV/°C/cell	

### Operating Temperature Range

Charge	<b>-15°C(5°F) to 40°C(104°F)</b>
Discharge	<b>-15°C(5°F) to 50°C(122°F)</b>
Storage	<b>-15°C(5°F) to 40°C(104°F)</b>

### Charge Retention (shelf life) at 20°C(68°F)

1 month	<b>98%</b>
3 month	<b>94%</b>
6 month	<b>85%</b>



### - PERFORMANCE DATA

#### - Discharge Rates in Watts to Various End Voltages at 25°C (77°F)

Time	End Voltage	End Voltage					
		1.85V	1.80V	1.75V	1.70V	1.65V	1.60V
10	min	303	358	412	436	461	476
15	min	295	327	340	358	378	385
20	min	246	268	295	308	320	329
30	min	210	220	233	236	239	241
45	min	147	159	167	175	179	182
60	min	128	134	140	143	145	147
90	min	88.9	92.1	94.6	96.7	98.7	100
180	min	50.4	53.7	55.8	57.6	58.6	59.2
300	min	33.8	35.5	37.3	37.7	38.0	38.3
480	min	20.2	22.5	23.2	23.7	24.2	24.4
600	min	19.2	19.9	20.2	20.5	20.8	21.0
1200	min	10.5	10.8	11.1	11.2	11.4	11.6

#### - Discharge Rates in Amperes to Various End Voltages at 25°C (77°F)

Time	End Voltage	End Voltage					
		1.85V	1.80V	1.75V	1.70V	1.65V	1.60V
10	min	170	205	235	256	274	287
15	min	163	181	191	200	206	212
20	min	134	147	160	166	174	183
30	min	106	114	118	123	127	132
45	min	82.7	86.1	89.1	91.1	93.1	95.0
60	min	61.0	65.3	69.5	71.7	72.8	73.9
90	min	44.2	47.3	49.4	50.2	50.8	51.3
180	min	28.3	29.1	29.8	30.4	30.7	30.9
300	min	17.1	17.9	18.7	18.9	19.1	19.3
480	min	11.0	11.9	12.3	12.5	12.8	12.9
600	min	9.81	10.1	10.3	10.5	10.7	10.8
1200	min	5.13	5.28	5.42	5.45	5.48	5.50

All data on the spec. sheet is an average value:

The tolerance range :  $X < 6\text{min}$  (+15%~-15%),  $6\text{min} \leq X < 10\text{min}$  (+12%~-12%),  $10\text{min} \leq X < 60\text{min}$  (+8%~-8%),  $X \geq 60\text{min}$  (+5%~-5%)

Contents in this data sheet are subject to change for improvement without prior notice to users. For clarifications and updated information, please contact us.

**CÔNG TY NGUYỄN HÀ**  
**AUTHORIZED REGIONAL MASTER DISTRIBUTOR IN VIETNAM**  
 Address : 3/4 Nguyen Van Thu Street, Dakao Ward, District 1, HCM City  
 Tell : (028) 39.111.701 - Fax: (028) 39.111.700  
 Email : phanphoi@ecotek-canada.vn - dichvu@ecotek-canada.vn  
 Website : www.ecotek-canada.vn Call Center: 1800 1558

Factory has been assessed and certified as meeting the requirements of:

- \* ISO 14001:2015 Certified by: SGS United Kingdom
- \* ISO 45001:2018 Certified by: SGS Taiwan
- \* TL 9000-H R6.2/R5.7 & ISO 9001:2015 Certified by: SGS-CSTC Standards Technical Services, China
- \* ISO/IEC 17025:2017 Certified by: Ministry Of Science and Technology Of Viet Nam

FACTORY ADDRESS:

Duc My Industrial Cluster, Duc Hoa Dong Commune, Duc Hoa District, Long An Province, Viet Nam

INVESTMENT LICENSE No: 1013126870

ISSUED BY: DEPARTMENT OF PLANNING AND INVESTMENT OF LONG AN PROVINCE