



LABCONCO CORPORATION

8811 Prospect Avenue
Kansas City, MO 64132
(800) 821-5525, (816) 333-8811
(816) 363-0130 fax
labconco@labconco.com

User's Manual

Protector[®] Basic[™] Laboratory Fume Hoods

Models

2247300	2246301	2246602	2246702
2247301	2246400	2246603	2246703
2247400	2246401	2246604	2246704
2247401	2246500	2246605	2246705
2247500	2246501	2246606	2246706
2247501	2246600	2246700	
2246300	2246601	2246701	

To receive important product updates,
complete your product registration card
online at register.labconco.com

Please read the User's Manual before operating the equipment.

Copyright © 2021 Labconco Corporation. The information contained in this manual and the accompanying products are copyrighted and all rights reserved by Labconco Corporation. Labconco Corporation reserves the right to make periodic design changes without obligation to notify any person or entity of such change.

Warranty

Labconco Corporation provides a warranty to the original buyer for the repair or replacement of parts and reasonable labor as a result of normal and proper use of the equipment with compatible chemicals. Broken glassware and maintenance items, such as filters, gaskets, light bulbs, finishes and lubrication are not warranted. Excluded from warranty are products with improper installation, erratic electrical or utility supply, unauthorized repair and products used with incompatible chemicals.

The warranty for Protector® Basic™ Laboratory Fume Hoods will expire one year from date of installation or two years from date of shipment from Labconco, whichever is sooner. Warranty is non-transferable and only applies to the owner (organization) of record.

Buyer is exclusively responsible for the set-up, installation, verification, decontamination or calibration of equipment. This limited warranty covers parts and labor, but not transportation and insurance charges. If the failure is determined to be covered under this warranty, the dealer or Labconco Corporation will authorize repair or replacement of all defective parts to restore the unit to operation. Repairs may be completed by 3rd party service agents approved by Labconco Corporation. Labconco Corporation reserves the rights to limit this warranty based on a service agent's travel, working hours, the site's entry restrictions and unobstructed access to serviceable components of the product.

Under no circumstances shall Labconco Corporation be liable for indirect, consequential, or special damages of any kind. This warranty is exclusive and in lieu of all other warranties whether oral, or implied.

Returned or Damaged Goods

Do not return goods without the prior authorization from Labconco. Unauthorized returns will not be accepted. If your shipment was damaged in transit, you must file a claim directly with the freight carrier. Labconco Corporation and its dealers are not responsible for shipping damages.

The United States Interstate Commerce Commission rules require that claims be filed with the delivery carrier within fifteen (15) days of delivery.

Limitation of Liability

The disposal and/or emission of substances used in connection with this equipment may be governed by various federal, state, or local regulations. All users of this equipment are required to become familiar with any regulations that apply in the user's area concerning the dumping of waste materials in or upon water, land, or air and to comply with such regulations. Labconco Corporation is held harmless with respect to user's compliance with such regulations.

Contacting Labconco Corporation

If you have questions that are not addressed in this manual, or if you need technical assistance, contact Labconco's Customer Service Department or Labconco's Product Service Department at 1-800-821-5525 or 1-816-333-8811, between the hours of 7:30 a.m. and 5:30 p.m., Central Standard Time.

TABLE OF CONTENTS

CHAPTER 1: INTRODUCTION	1
Components Shipped	1
General Description	3
Typographical Conventions	4
Performance	5
Component Identification	5
CHAPTER 2: INSTALLATION	8
Preparation	8
Location	8
Installation Factors	9
Electrical Connection	9
Sash Weight Release	10
Placing and Sealing the Fume Hood	11
Exhaust Connection for Hoods with Built-In Blower	11
Exhaust Connection for Hoods with Remotely Located Blower	11
Baffle Adjustment	12
Service Line Requirements	12
CHAPTER 3: SAFETY PRECAUTIONS	13
CHAPTER 4: NORMAL OPERATION	15
Working in Your Protector Fume Hood	16
APPENDIX A: SPECIFICATIONS & WIRING DIAGRAMS	18
APPENDIX B: ROUTINE MAINTENANCE	21
APPENDIX C: PERFORMANCE TESTING	22
APPENDIX D: REPLACEMENT PARTS	23

CHAPTER 1

INTRODUCTION

Components Shipped

Carefully check the contents of the carton for damage that might have occurred in transit. Do not discard the carton or packing material until all components have been checked against the following component list and the equipment has been installed and tested.

As shipped, the carton should contain one of the following:

Catalog #	Description
2247300	Basic 47 Fume Hood with blower and incandescent vapor-proof light. 115 volt, single phase, 60 Hz.
2247301	Basic 47 Fume Hood with blower and incandescent vapor-proof light. 220 volt, single phase, 50 Hz.
2247400	Basic 47 Fume Hood without blower, with incandescent vapor-proof light. 115 volt, single phase, 60 Hz.
2247401	Basic 47 Fume Hood without blower, with incandescent vapor-proof light. 220 volt, single phase, 50 Hz.
2247500	Basic 47 Fume Hood with explosion-proof blower and explosion-proof incandescent light. 115/230 volt, single phase, 60 Hz.
2247501	Basic 47 Fume Hood with explosion-proof blower and explosion-proof incandescent light. 220 volt, single phase, 50 Hz.
2246600	Unassembled Basic 47 Fume Hood without blower, with incandescent vapor-proof light. 115 volt, single phase, 60 Hz.
2246601	Unassembled Basic 47 Fume Hood without blower, with incandescent vapor-proof light. 220 volt, single phase, 50 Hz.
2246602	Unassembled Basic 47 Fume Hood without blower, with explosion-proof incandescent light. 115/230 volt, single phase, 50/60 Hz.

Chapter 1: Introduction

Catalog #	Description
2246603	Unassembled Basic 47 Fume Hood with blower and incandescent light. 115 volt, single phase, 60 Hz.
2246604	Unassembled Basic 47 Fume Hood with blower and incandescent light. 220 volt, single phase, 50 Hz.
2246605	Unassembled Basic 47 Fume Hood with explosion-proof blower and explosion-proof incandescent light. 115/230 volt, single phase, 60 Hz.
2246606	Unassembled Basic 47 Fume Hood with explosion-proof blower and explosion-proof incandescent light. 220 volt, single phase, 50 Hz.
2246300	Basic 70 Fume Hood with blower and incandescent vapor-proof light. 115 volt, single phase, 60 Hz.
2246301	Basic 70 Fume Hood with blower and incandescent vapor-proof light. 220 volt, single phase, 50 Hz.
2246400	Basic 70 Fume Hood without blower, with incandescent vapor-proof light. 115 volt, single phase, 60 Hz.
2246401	Basic 70 Fume Hood without blower, with incandescent vapor-proof light. 220 volt, single phase, 50 Hz.
2246500	Basic 70 Fume Hood with explosion-proof blower and explosion-proof incandescent light. 115/230 volt, single phase, 60 Hz.
2246501	Basic 70 Fume Hood with explosion-proof blower and explosion-proof incandescent light. 220 volt, single phase, 50 Hz.
2246700	Unassembled Basic 70 Fume Hood without blower, with incandescent vapor-proof light. 115 volt, single phase, 60 Hz.
2246701	Unassembled Basic 70 Fume Hood without blower, with incandescent vapor-proof light. 220 volt, single phase, 50 Hz.
2246702	Unassembled Basic 70 Fume Hood without blower, with incandescent vapor-proof light. 115/230 volt, single phase, 50/60 Hz.
2246703	Unassembled Basic 70 Fume Hood with blower with incandescent light. 115 volt, single phase, 60 Hz.
2246704	Unassembled Basic 70 Fume Hood with blower with incandescent light. 220 volt, single phase, 50 Hz.
2246705	Unassembled Basic 70 Fume Hood with explosion-proof blower and explosion-proof incandescent light. 115/230 volt, single phase, 60 Hz.
2246706	Unassembled Basic 70 Fume Hood with explosion-proof blower and explosion-proof incandescent light. 220 volt, single phase, 50 Hz.

General Description

The Labconco Basic Hood has been engineered to effectively contain and remove toxic, noxious, or other harmful materials. With its low overall profile and 25-inch depth, the fume hood will fit on most work surfaces and in areas with lower ceiling restrictions, which do not allow the use of taller laboratory fume hoods.

The Basic Hood features epoxy-coated steel construction that resists corrosion, impact, cracking and peeling.

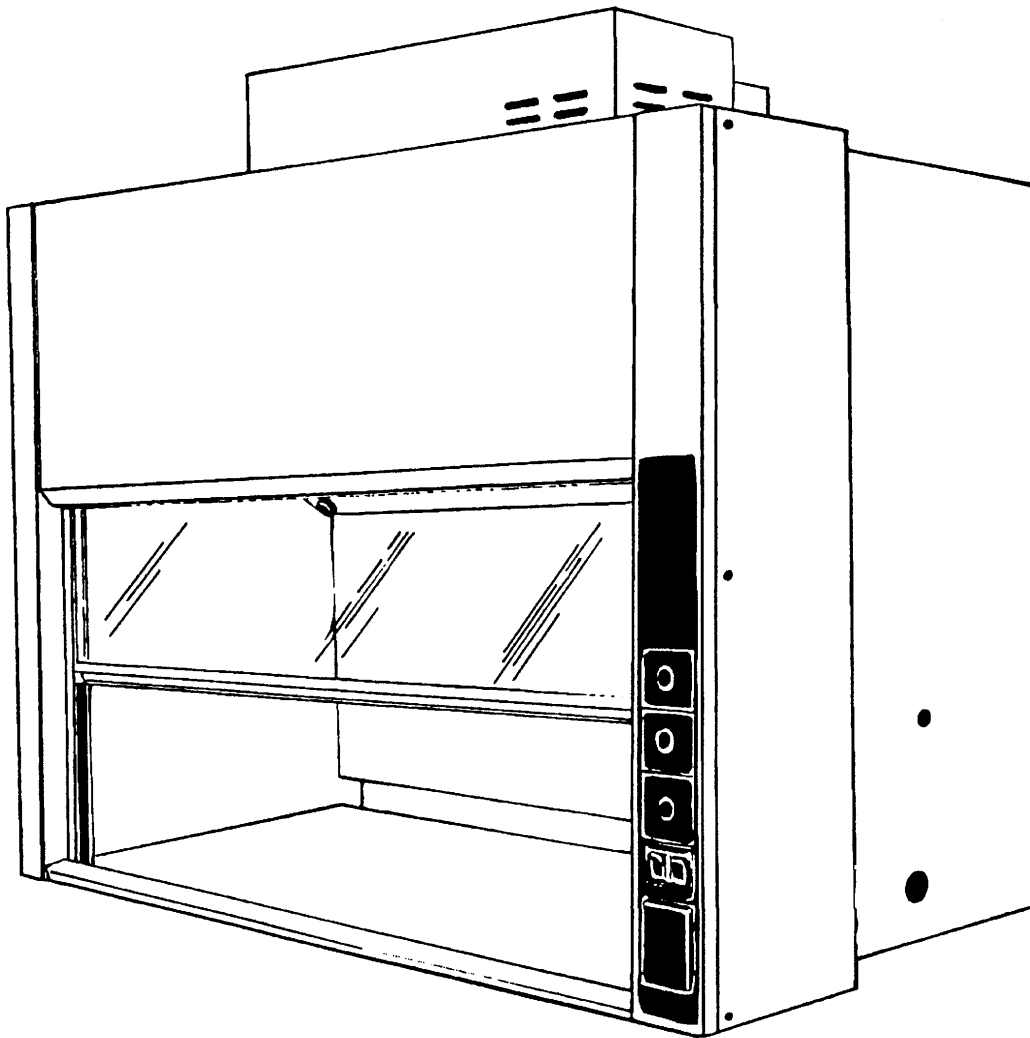


Figure 1

Typographical Conventions

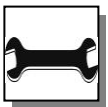
Recognizing the following typographical conventions will help you understand and use this manual:

- Book, chapter, and section titles are shown in italic type (e.g., *Chapter 3: Getting Started*).

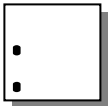
- Steps required to perform a task are presented in a numbered format.
- Comments located in the margins provide suggestions, reminders, and references.



- Critical information is presented in boldface type in paragraphs that are preceded by the exclamation icon. Failure to comply with the information following an exclamation icon may result in injury to the user or permanent damage to fume hood.
- Les informations critiques sont présentées en gras dans les paragraphes qui sont précédés par l'icône d'exclamation. Ne pas se conformer aux informations qui suivent une icône d'exclamation peut résulter à la blessure de l'utilisateur ou à des dommages irréversibles de la hotte aspirante.



- Critical information is presented in boldface type in paragraphs that are preceded by the wrench icon. These operations should only be performed by a trained certifier or contractor. Failure to comply with the information following a wrench icon may result in injury to the user or permanent damage to your hood.
- Les informations critiques sont présentées en gras dans les paragraphes qui sont précédés par l'icône de clé plate. Ces opérations devraient être seulement exécutées par un professionnel agréé. L'échec pour se conformer aux informations qui suivent une icône de clé plate peut résulter à la blessure de l'utilisateur ou à des dommages irréversibles de la hotte.



- Important information is presented in capitalized type in paragraphs that are preceded by the pointer icon. It is imperative that the information contained in these paragraphs be thoroughly read and understood by the user.



- CAUTION – See Manual. When this symbol is on a fume hood it indicates a caution that is detailed in this manual.
- PRUDENCE – Consulter le Manuel. Quand ce symbole est sur une hotte aspirante, il indique une prudence qui est détaillée dans ce manuel.



- CAUTION – Hot Surface.
- AVERTIR – Surface Chaude



- **CAUTION** – See Manual. This symbol on the fume hood indicates the possibility of a pinch hazard.
- **PRUDENCE** – Consulter le Manuel. Ce symbole sur la hotte indique la possibilité d'un risque de pincement.

Performance

The Basic Hood maximizes work area due to its unique single wall design. The hood is available with or without a blower and in both an assembled or unassembled configuration.

The hood features by-pass airflow design that promotes full containment as the sash is moved. Airflow is diverted to behind the front panel and under the sash foil to help minimize face velocity increases as the sash is lowered to the working position the operator chooses.



If the unit is not operated as specified in this manual it may impair the protection provided by the unit.

Si l'unité n'est pas utilisée comme spécifié dans ce manuel il peut diminuer la protection fournie par l'unité.

Component Identification

1. **Sash Foil.** The sash foil is located directly underneath the sash opening of the fume hood. The aerodynamic shape of the foil directs a smooth flow of air into the hood with minimum turbulence. The sash foil is also part of the air by-pass system on the hood, which allows a portion of the room air to flow under the foil and into the fume hood. The by-pass airflow feature promotes full containment as the sash is moved.
2. **Adjustable Baffle.** Epoxy-coated steel baffle features an adjustment slot to change the internal airflow patterns within the hood. The slot adjustment is regulated by loosening the baffle retaining knobs located directly on the baffle and then pushing the upper portion of the lower baffle inward to expose the slot opening in the baffle.
3. **Tempered Safety Glass Sash.** A vertical rising tempered safety glass sash assembly allows the hood operator the flexibility of positioning the sash at any suitable height for various procedures that he may perform within the fume hood.

Chapter 1: Introduction

4. **Light Fixture.** The hood interior is illuminated by a single vapor-proof incandescent light fixture. An explosion-proof incandescent light fixture is also featured on the explosion-proof models. Both light assemblies are suitable for use with a 100-watt light bulb.
5. **Exhaust Connection.** The hood features an epoxy-coated steel exhaust outlet ring sized to accept either the built-in motor/blower assembly or a ten-inch diameter plastic duct. When used with a remote blower, the exhaust duct slips down directly over the exterior of the exhaust connection. The duct is then attached directly to the exhaust connection ring using sheet metal screws and caulking. When the built-in motor/blower is used, the exhaust duct is connected directly to the exhaust connection on the blower itself. The ductwork should be secured to the blower by using sheet metal screws and caulking.



WARNING: The weight of the exhaust ductwork should be supported independently of the hood structure as excess weight could cause damage to the hood structure.

AVERTISSEMENT: Le poids des gaines d'échappement doit être pris en charge indépendamment de la structure de la hotte comme l'excès de poids peut causer des dommages à la structure de la hotte.

6. **Blower Assembly (not shown).** A fractional horsepower motor/blower assembly comes complete with a coated metal blower housing, exterior cover and aluminum impeller wheel. Depending upon your specific application or preference, the motor/blower assembly can be mounted directly in the top of the fume hood or located externally in your duct run or on the roof itself.

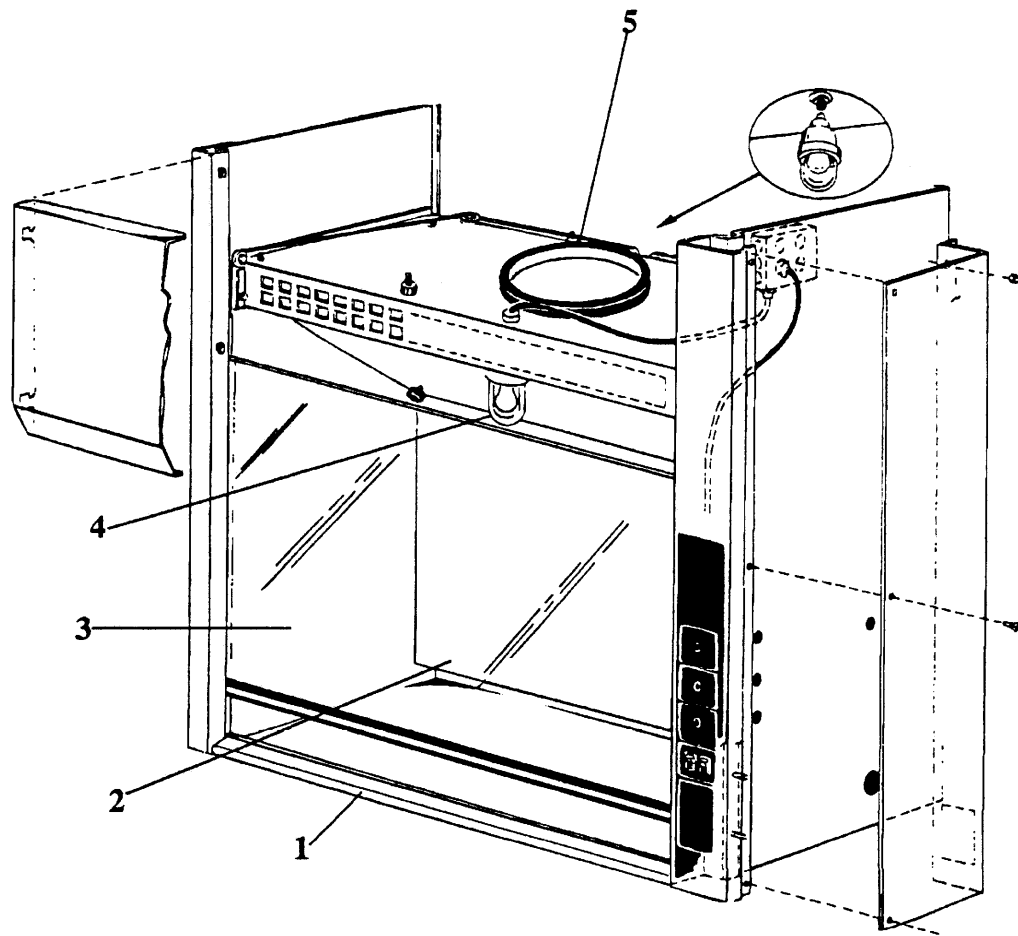


Figure 2

CHAPTER 2

INSTALLATION

Preparation

The assembled Basic Hood is shipped to you in one carton. The unassembled Basic Hood is shipped with the hood structure in one carton and the blower, if ordered, in a separate carton.

Inspect the hood thoroughly prior to installation and report any damage that may have occurred in transit directly to the freight carrier. When reporting damage on your hood, you should provide both the hood model number and serial number. The hood's serial tag is located behind the front panel in the upper left hand corner.

Location

Your Labconco laboratory hood should be positioned in the laboratory so that it is out of the main traffic pattern and away from air disturbances such as doors, windows, air conditioning, ventilation supply, or other return outlets. Hood location is very important as extraneous air currents can disturb the airflow within the hood.

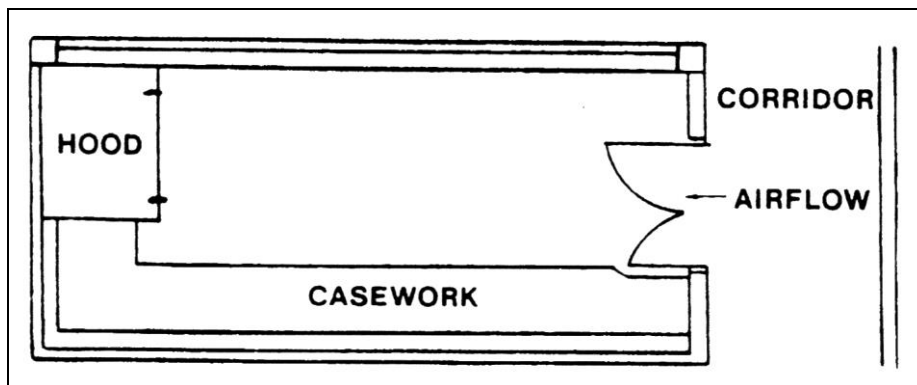


Figure 3

Installation Factors

In addition to providing the proper location for the hood, you will also need to provide the following:

1. Supporting structure, such as a base cabinet or stand, for the hood with a chemical resistant work surface.
2. 115 volt, single-phase, 60 Hz, or 220 volt, 50 Hz electrical service.
3. Availability of vacuum, air, gas, and water services piping for optional service fixtures as required on the hood structure.
4. 10" diameter exhaust ductwork to be used for connection to the 4-foot models. 12" diameter exhaust ductwork should be used with the 6-foot models.



WARNING: When lifting the hood superstructure, lift the hood **ONLY** by the sides and back panel to avoid damage to the hood. **DO NOT LIFT THE HOOD BY THE SASH FOIL**, as it is not directly attached to the hood structure.

AVERTISSEMENT: Lorsque vous soulevez la superstructure de capot, soulevez le capot que par les côtés et le panneau arrière pour éviter d'endommager le capot. **NE PAS LEVER LE CAPOT DE LA CEINTURE FEUILLE**, car il n'est pas directement relié à la structure de la hotte.

Electrical Connection

Prior to connecting any electrical wiring to the fume hood superstructure, first refer to the hood identification plate for the proper electrical characteristics of your specific model. Both the identification plate and electrical connection boxes are accessible from the front of the fume hood by removing the front panel.



WARNING: The building electrical supply system for Basic Hoods should include overload protection. A switch or circuit breaker should be in close proximity to the equipment and within easy reach of the operator. The switch or circuit breaker is to be marked as the disconnecting device for the equipment. Do not position the unit so that it is difficult to operate the main disconnect device.

AVERTISSEMENT: Le système d'alimentation électrique pour la construction de base Cagoules devrait inclure la protection de surcharge. Un interrupteur ou disjoncteur doit être à proximité de l'équipement et à portée de main de l'opérateur. L'interrupteur ou le disjoncteur doit être marqué comme dispositif de déconnexion de l'équipement. Ne pas placer l'appareil de sorte qu'il est difficile de faire fonctionner le dispositif de déconnexion principal.

Chapter 2: Installation

The electrical wiring of your hood is dependent upon your exact model. Review the wiring diagrams for your specific hood located on pages 13 and 14 prior to installation. All wiring should be done in accordance with local and National Electrical Codes.

Le câblage électrique de votre hotte dépend de votre modèle exact. Passez en revue les schémas de câblage pour votre capot spécifique situé sur les pages 13 et 14 avant l'installation. Tout le câblage doit être fait conformément aux codes électriques locaux et nationaux.

If your hood is an explosion-proof model, it will not be internally wired. All wiring for the enclosure **MUST** be done by a licensed electrician and conform to all local codes. In most cases, the hood will require the use of conduit shielding to protect the wiring being brought into the hood and the grounding connection of the wiring shall be made in such a manner that the terminal box cover may be removed without disturbing the electrical connections.

Sash Weight Release

The sash weight has been secured in the sash weight tracks located on the back of your fume hood during shipment. The weight has been strapped to the bottom of the hood back panel through the use of two plastic wire ties. Cut and remove these ties to release the weight. Next, remove the cardboard packing material placed behind the weight for shipment. Then slide the sash weight up to the top position and attach the two sash cables directly into the slots provided on the weight to begin proper operation.

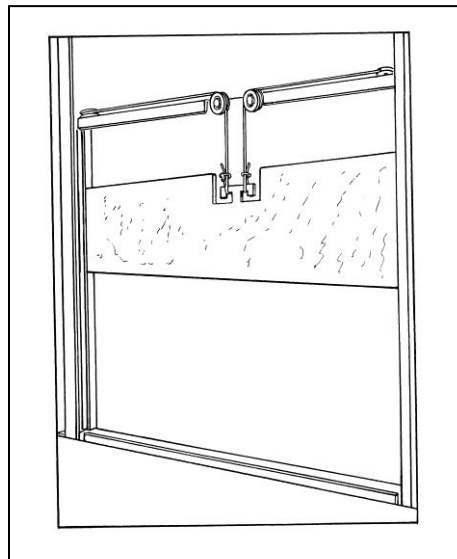


Figure 4

Placing and Sealing the Fume Hood

The Basic Hood performs best with the front of the lower airfoil placed flush with the front of the work surface. Alternatively, the Basic Hood can be placed in front of the work surface by one inch. The Basic Hood lower airfoil shall not be placed behind the front edge of the work surface.

Once the Basic Hood has been set into position and all the plumbing and exhaust ducting has been completed, it should be sealed to its work surface. The sealing of the hood structure to the work surface will prevent any spilled materials from collecting underneath the walls of the fume hood. Silicone sealant is normally used for this purpose, and can be purchased locally or directly from Labconco.

Exhaust Connection for Hoods with Built-In Blower

The exhaust connection on your Basic Hood with built-in blower features a round exhaust outlet sized to accept ten-inch diameter PVC ducting. The exhaust duct size allows for a minimum of static pressure loss through the hood at normal face velocities and generates a sufficient transport velocity through the duct to safely exhaust the toxic materials being handled in the laboratory hood.

The exhaust duct used on this hood will be under positive pressure during operation. It is essential that all duct joints be sealed properly to eliminate the possibility of leaking exhaust contaminants into your laboratory.



WARNING: The weight of the exhaust duct system must be supported independently of the fume hood structure. Do not allow the weight to be supported by the hood structure as damage to the hood structure may result.

AVERTISSEMENT: Le poids du système de conduit d'évacuation doit être soutenu indépendamment de la structure de la hotte. Ne pas laisser le poids d'être supporté par la structure de capot d'endommager la structure de la hotte peut en résulter.

Exhaust Connection for Hoods with Remotely Located Blower

The exhaust connection on your Basic Hood, when not using the built-in blower, features a coated steel outlet ring connection sized to accept ten inch diameter PVC ducting. The exhaust duct size allows for a minimum of static pressure loss through the hood at normal face velocities and generates a sufficient transport velocity through the ducting to safely exhaust the toxic materials being handled in the laboratory hood.

Chapter 2: Installation



WARNING: The weight of the exhaust duct system must be supported independently of the fume hood structure. Do not allow the weight to be supported by the hood structure as damage to the hood structure may result.

AVERTISSEMENT: Le poids du système de conduit d'évacuation doit être soutenu indépendamment de la structure de la hotte. Ne pas laisser le poids d'être supporté par la structure de capot d'endommager la structure de la hotte peut en résulter.

Baffle Adjustment

The Basic 47 and Basic 70 Fume Hood features an adjustable baffle that allows you to change the airflow patterns within the hood. The hood may be used with the baffle fully open, fully closed or in any interim position.

Simply loosen the baffle adjustment knobs and push the lower section of the baffle inward to open the baffle slot. To lessen or fully close the baffle slot you would again loosen the adjustment knobs and pull the lower baffle section back toward you using the adjustment knobs.

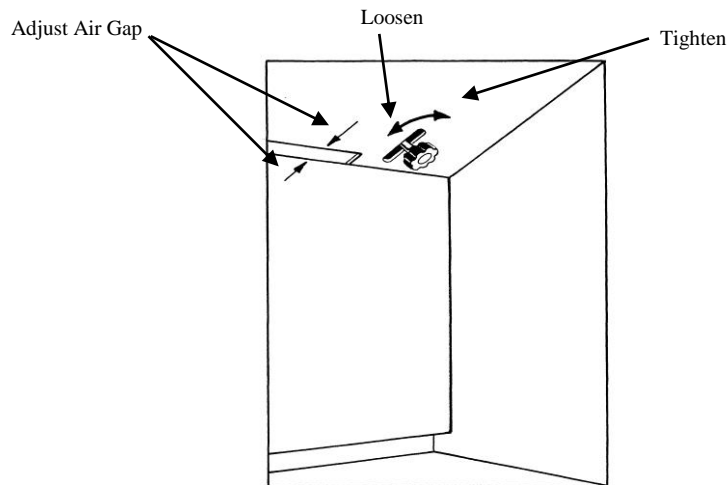


Figure 5

Service Line Requirements

All service lines to the laboratory fume hood should be 1/4" OD, copper (brass for gas), and equipped with an easily accessible shut-off valve, should disconnection be required. Recommended operating pressure is 40 PSI, with a maximum allowable pressure of 200 PSI. Consider a pressure regulator to reduce line pressure to 40 PSI. Please check with local codes for other requirements. The supply lines shall be installed from above/under the hood and terminated at the valves by a qualified contractor.

CHAPTER 3

SAFETY PRECAUTIONS

Safety Precautions



The weight of the exhaust duct system must be supported independently of the fume hood structure. Do not allow the weight to be supported by the blower scroll and housing or hood structure as damage may result.

Le poids du système de conduit d'échappement doit être soutenu de façon indépendante de la structure de la hotte. Ne laissez pas le poids à être soutenu par le défilement de la soufflerie et la structure du boîtier ou capot peut causer des dommages.



When lifting the hood structure, lift the hood ONLY by the sides and back panel to avoid damage to the hood. DO NOT LIFT THE HOOD BY THE SASH FOIL, as it is not directly attached to the hood. The sash foil should be removed when lifting the hood.

Lors du levage de la structure de capot, soulevez le capot que par les côtés et le panneau arrière pour éviter d'endommager le capot. NE PAS LEVER LE CAPOT DE LA CEINTURE FEUILLE, car il n'est pas directement relié à la hotte. La feuille de ceinture doit être retiré en soulevant le capot.

Chapter 3: Safety Precautions



The disposal and/or emission of substances used in connection with this equipment may be governed by various federal, state or local regulations. All users of this equipment are urged to become familiar with any regulations that apply in the area concerning the dumping of waste materials in or upon water, land or air and to comply with such regulations.

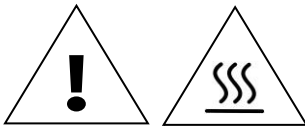
L'élimination et / ou l'émission de substances utilisées dans le cadre de cet équipement peuvent être régies par diverses lois fédérales, provinciales ou locales. Tous les utilisateurs de cet équipement sont invités à se familiariser avec tous les règlements qui s'appliquent dans la zone de l'utilisateur concernant le dumping de déchets dans ou sur l'eau, la terre ou de l'air et de se conformer à ces règlements.

munie d'un élévateur hydraulique et la surface de travail. Ne pas soulever par l'écoulement d'air devant.



CAUTION: This blower contains an electrical motor which requires proper electrical connection per the National Electric Code (NEC) section 430 to prevent hazards. This NEC code and local codes may require that a circuit disconnect, overload protection, and short circuit protection be included in the installation. Please consult the code or have the unit connected by a licensed electrician.

ATTENTION: Ce ventilateur contient un moteur électrique qui nécessite une bonne connexion électrique par le National Electric Code (NEC) de l'article 430 pour prévenir les risques. Ce code NEC et les codes locaux peuvent exiger que la déconnexion du circuit, protection de surcharge, et la protection de court-circuit sont inclus dans l'installation. S'il vous plaît consulter le code ou que l'appareil relié par un électricien agréé.



Do not touch the blower motor. The surfaces of the motor can become hot and could cause burns.

Ne pas toucher le moteur de soufflerie. Les surfaces du moteur peuvent devenir chaudes et pourrait causer des brûlures.

CHAPTER 4

NORMAL OPERATION

Although the laboratory hood has been engineered to maintain the optimum in operator safety, caution should always be used while working in the hood. Good general housekeeping procedures with the following specific recommendations should allow you to operate your laboratory hood safely.

- Do not overload the work surface with apparatus or work material. The safe operation of the laboratory hood is based upon having proper airflow through the structure.
- Do not store containers or supplies against the baffle, as this will affect airflow through the hood. Blocking the bottom of the baffle will change the airflow pattern in the hood causing turbulence and possible leakage at the face of the hood.
- Using flammable or explosive materials in this hood, unless it has been equipped with explosion-proof components, is not recommended.
- Do not work with or store chemicals in this hood without operating the exhaust system.
- Perchloric acid should **not** be used in this hood.
- Radioisotope materials are not recommended for use in this hood.
- The use of heat generating equipment in this hood without operating the exhaust system may cause damage to the hood liner.
- Seal all duct joints properly to prevent the leakage of any exhaust contaminants from the duct.

Working in your Protector Fume Hood

Planning

- Thoroughly understand procedures and equipment required before beginning work.
- Arrange for minimal disruptions, such as room traffic or entry into the room while the hood is in use.

Start-up

Labconco follows the recommendations of the American National Standard Institute with regards to fume hood exhaust systems. A full list of requirements can be found in the ANSI Standard No. Z9.5 *Laboratory Ventilation*. If you are unsure of the proper use of the exhaust blower for your fume hood, contact your safety officer or industrial hygienist before making any modifications to the blower's operational status (on/off/low, etc.). Keeping the exhaust system under constant negative pressure is an excellent way to ensure hazardous fumes in the fume hood do not enter the laboratory space inadvertently.

- Turn on the light.
- Slowly raise the sash and verify the fume hood has proper airflow.
- Check the baffle air slots for obstructions.
- Allow the hood to operate unobstructed for two minutes.
- Wear a long sleeved lab coat and rubber gloves. Use protective eyewear. Wear a protective mask if appropriate.

Loading Materials and Equipment

- Only load the materials required for the procedure. Do not overload the hood.
- Do not obstruct the front air foil (sill), or rear baffle slots.
- Large objects should not be placed close together and spaced above the work surface to permit airflow to sweep under the equipment.
- After loading the hood, wait one minute to purge airborne contaminants from the work area.

Work Techniques

- Keep all materials at least 6 inches inside of the sash and at least two inches from the side walls and perform all contaminated operations as far to the rear of the work area as possible.
- Keep all clean and contaminated materials in the work area separate for clear identification.
- Avoid using techniques or procedures that disrupt the airflow patterns of the hood.

Final Purging

- Upon completion of the work, the hood should be allowed to operate for two minutes undisturbed, to purge airborne contaminants from the work area before closing the sash.

Unloading Materials and Equipment

- Objects in contact with contaminated material should be surface decontaminated before removal from the hood.
- All open trays or containers should be covered before being removed from the hood.

Shutdown

Turn off the light and close the sash.

APPENDIX A

SPECIFICATIONS & WIRING

DIAGRAMS

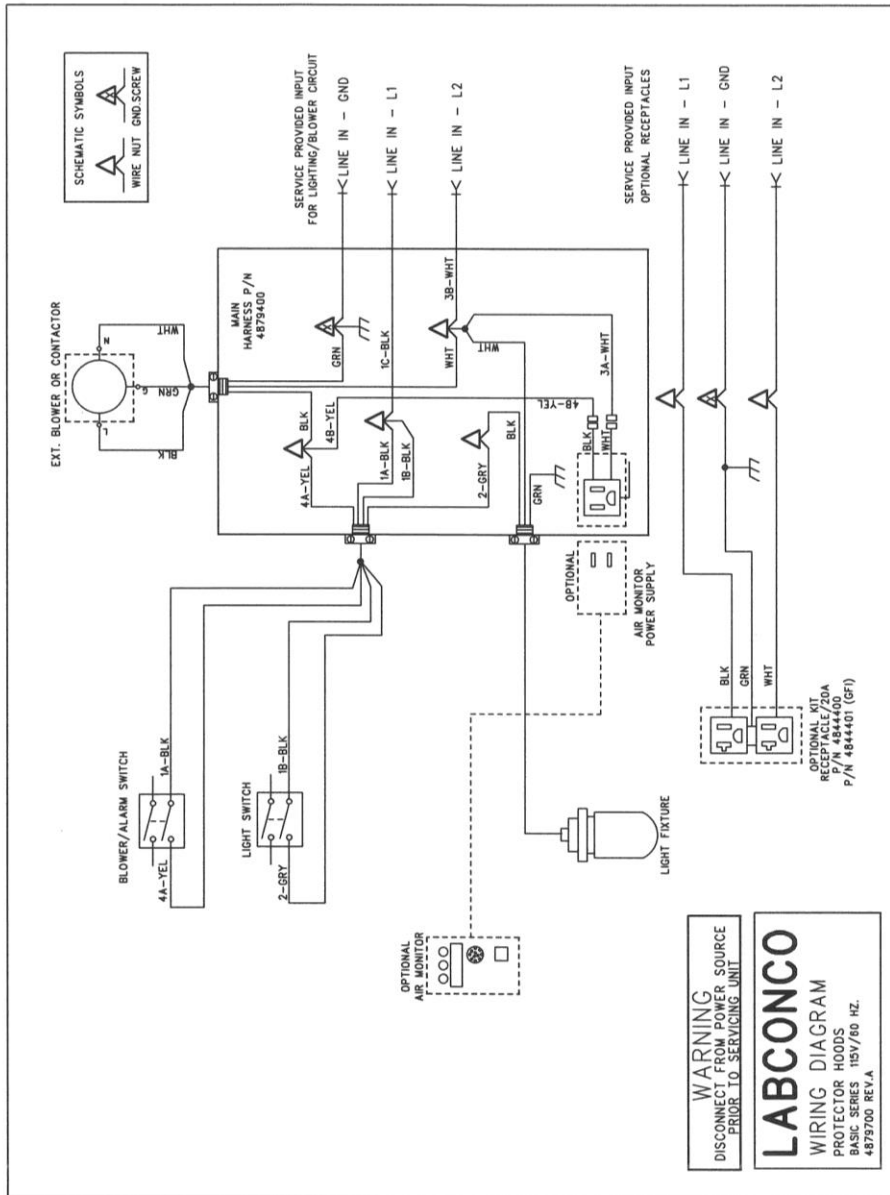
Environmental Conditions

- Indoor use only.
- Maximum altitude: 10,000 feet (3,048 meters).
- Ambient temperature range: 41° to 104°F (5° to 40°C).
- Maximum relative humidity: 80% for temperatures up to 88°F (31°C), decreasing linearly to 50% relative humidity at 104°F (40°C).
- Main supply voltage fluctuations not to exceed $\pm 10\%$ of the nominal voltage.
- Transient over-voltages according to Installation Categories II (Over-voltage Categories per IEC 1010). Temporary voltage spikes on the AC input line that may be as high as 1500V for 115V models and 2500V for 230V models are allowed.
- Used in an environment of Pollution degrees 2 (i.e., where normally only non-conductive atmospheres are present). Occasionally, however, a temporary conductivity caused by condensation must be expected, in accordance with IEC 664.
- Electrical Ratings

<u>Model</u>	<u>Volts AC</u>	<u>Phase</u>	<u>Cycle</u>	<u>AMP*</u>
Basic 47 w-blower	115	1	60	13
& without blower	230	1	50	7
w-EP Blower	115/230	1	60/50	8/4
Basic 70 w-blower	115	1	60	13
& without blower	230	1	50	7
w-EP Blower	115/230	1	60/50	13/7

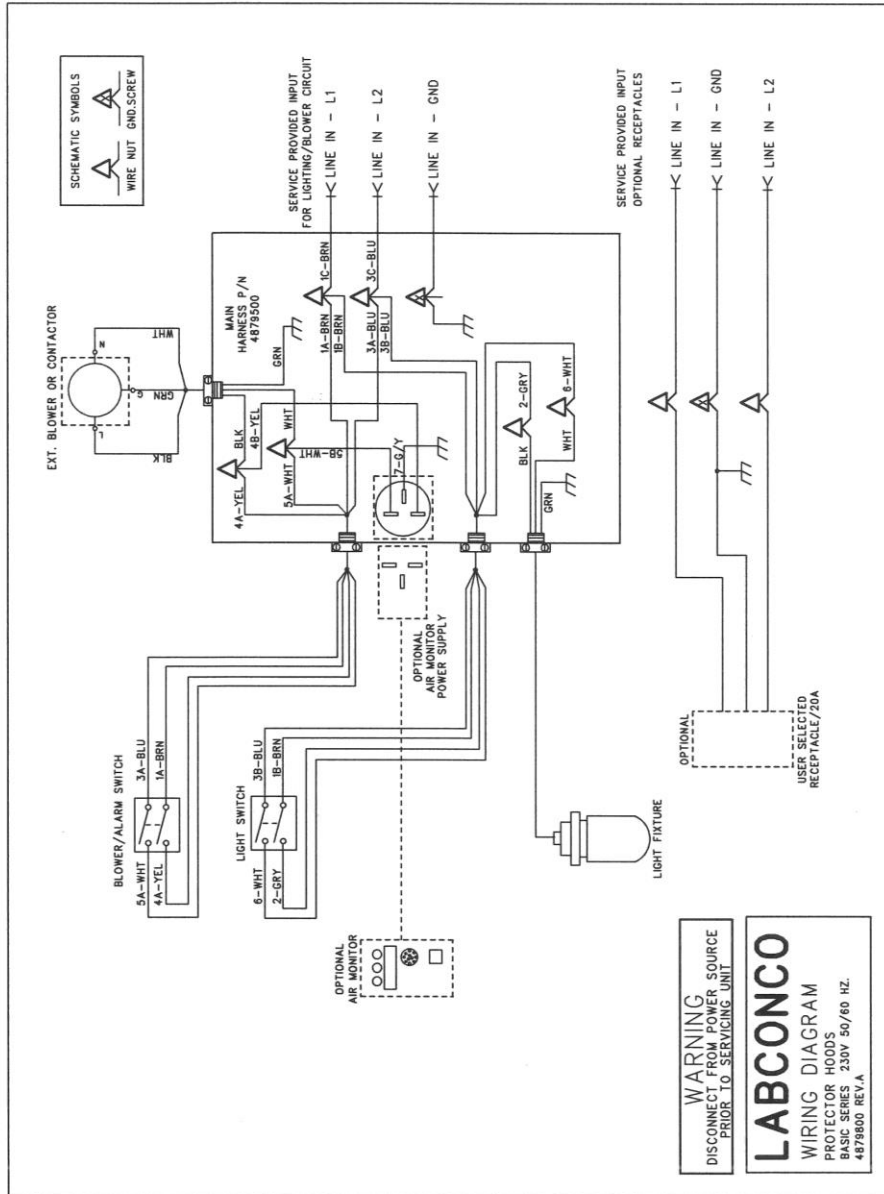
*Does not include current rating of receptacles.

115 VAC Models



Appendix A: Specifications & Wiring Diagrams

230 VAC Models



APPENDIX B

ROUTINE MAINTENANCE

- The exhaust blower motor has been factory lubricated for two years of service. After this period 20 to 30 drops of SAE 20 automotive oil annually is sufficient. Reference the nameplate on the motor for additional oiling instructions.
- Periodically check the belt tightness on the motor/blower assembly for proper adjustment.
- The belt on the motor/blower has been factory set at a desired tension level. The tension on the belt can be measured by the amount of pressure exerted to deflect the belt 1/2" from its normal position and this should be approximately 5 pounds.



Do NOT contact blower wheel while still in motion.

*P G " R C U " ' v t g " g p " e q p v c e v " c x g e " n c " t q w ^ 2 " .
en marche.*

APPENDIX C

PERFORMANCE TESTING

Your Labconco laboratory hood has been designed to allow you the flexibility of setting your own face velocity based upon the work being performed inside of the hood. The combination of your laboratory hood, exhaust duct, and exhaust blower enables you to achieve this flexibility by regulating airflow across the sash opening.

To determine the actual face velocity through the sash opening, airflow velocity readings will need to be taken. This should be done across the sash opening of the hood in accordance with the section on laboratory hoods in Industrial Ventilation.

APPENDIX D

REPLACEMENT PARTS

BASIC HOODS

<u>Ref. No.</u>	<u>Description</u>	<u>Qty.</u>	<u>MODEL SERIES</u>	
			<u>47" Models</u>	<u>70" Models</u>
2	Wall Plate Blank	2	9818300	9818300
3*	Switch	2	1302300	1302300
4	Sash Assembly	1	4847900	4847901
5*	Globe, Vapor Proof	1	1272900	1272900
6	Knob	2	1879400	1879400
7	Mount, Vibration	4	4847800	4847800
8	Sash Pulley	6	1861400	1861400
9	Gasket, Outlet	1	4850200	4850200
10	Explosion-Proof Light Fixture	1	1270301	1270301

***These items are not used on explosion-proof models.**

Appendix D: Replacement Parts

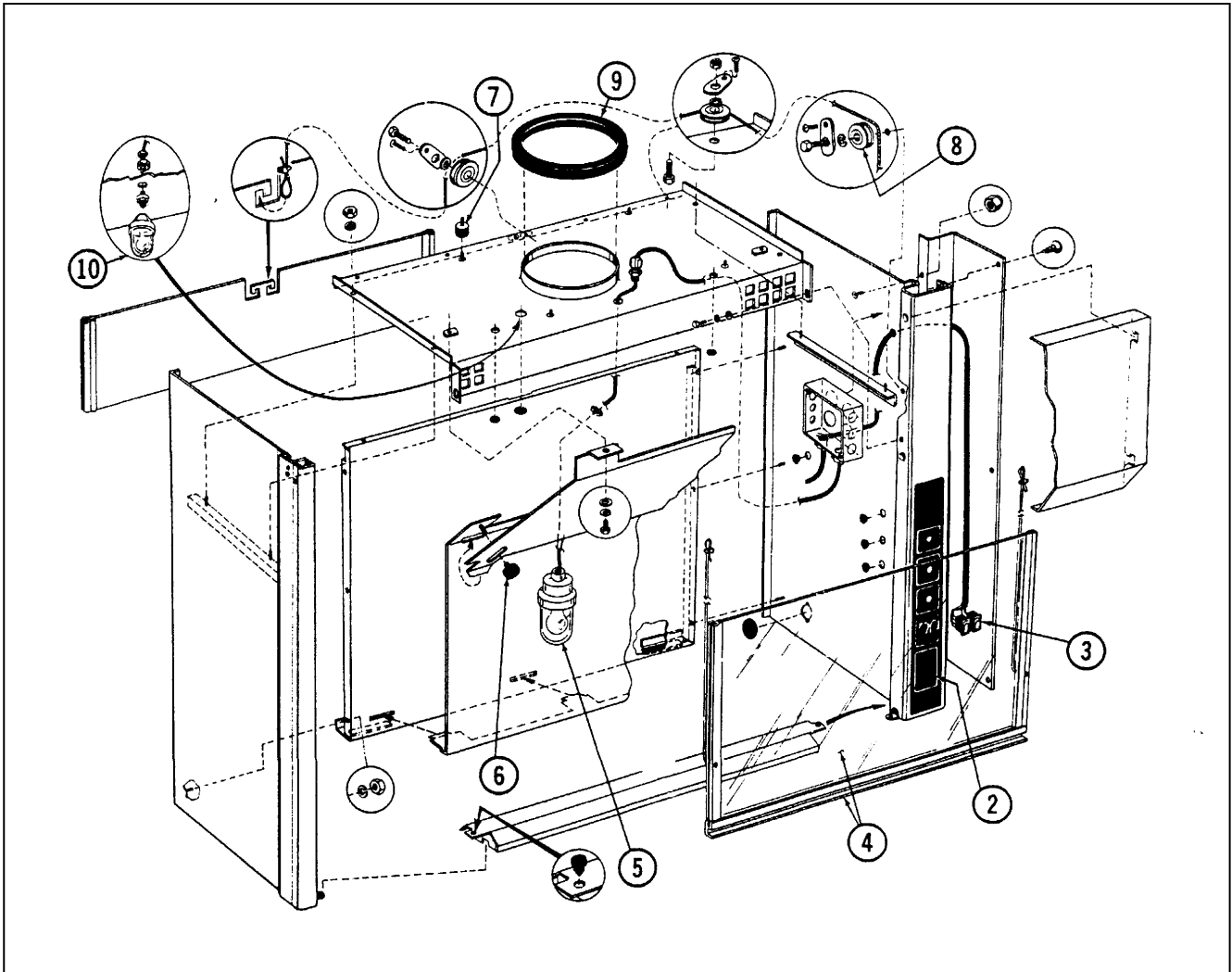


Figure 8

Blower Assembly

<u>Ref. No.</u>	<u>Description</u>	<u>Qty.</u>	<u>Catalog No.</u>	<u>47" Blower Assembly</u>	<u>70" Blower Assembly</u>
1	Motor – 1/3 HP 115/60 Hz	1	1211400	4844500	
	Motor – 1/2 HP 110/220/50 Hz	1	1211300	4844501	
	Motor – 1/3 HP 115/230 60 Hz	1	1206600	4844502	
	Motor – 1/3 HP 110/220 50 Hz EP	1	1211000	4844503	
	Motor – 3/4 HP 115/60 Hz	1	1204100		4844700
	Motor – 3/4 HP 110/220 50 Hz	1	1211500		4844701
	Motor – 3/4 HP 115/230 60 Hz	1	1201800		4844702
	Motor – 3/4 HP 110/220 50 Hz	1	1211600		4844703
2	Sheave, Variable	1	1860000	All models	
		1	1858200		All models
3	V-Belt 3L340	1	1862900	4844500 4844502	
	V-Belt 3L330	1	1863600	4844501 4844503	
	V-Belt 4L360	1	1860900		4844700 4844702
	V-Belt 4L350	1	1853100		4844701 4844703
4	Sheave, Fixed	1	1859700	4844500 4844502	
		1	1850800	4844501 4844503	
		1	1859400		4844700 4844702
		1	1863700		4844701 4844703
		2	1863000	All models	All models
6	Cover	1	4849000	All models	All models
7	Housing Assembly	1	2264301	All models	All models
8	Adapter, Inlet	1	4850800	All models	All models
9	Wheel Assembly	1	4897300	All models	All models
10	Transition	1	4852300	All models	All models

Appendix D: Replacement Parts

Blower Assembly

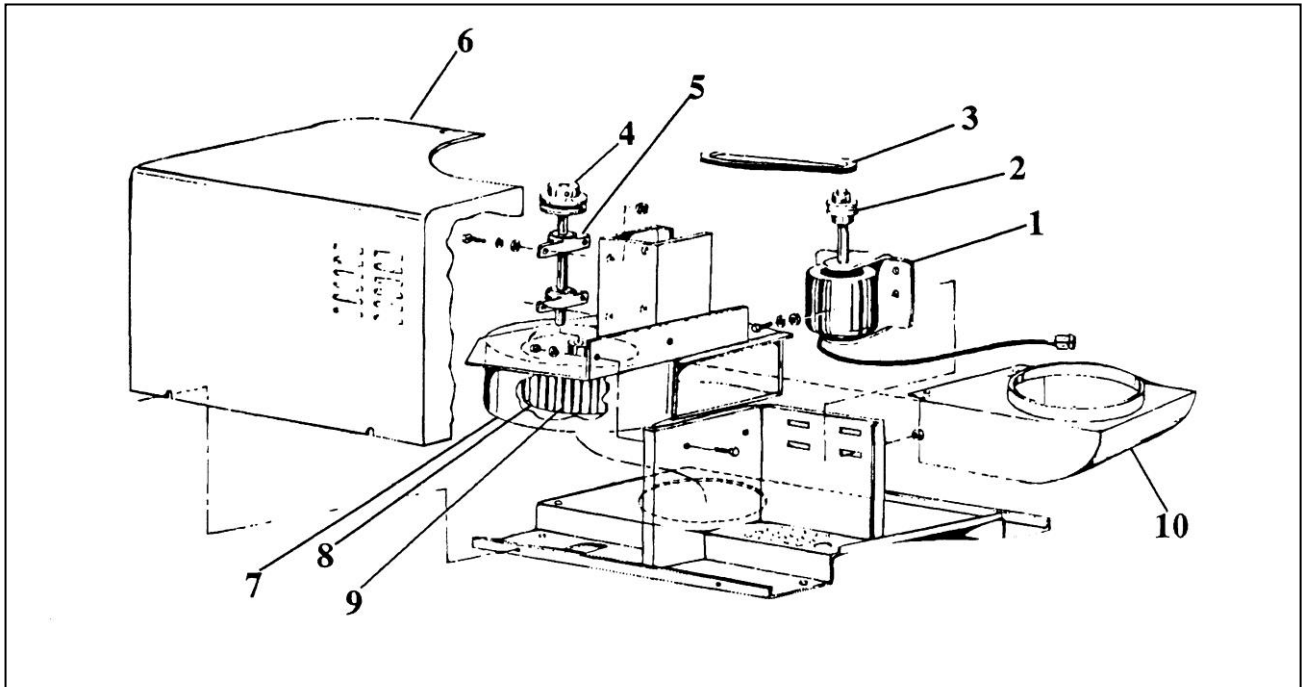


Figure 9