

# EFCip

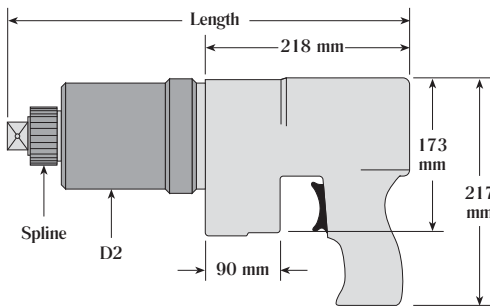
Electric Torque Multiplier  
(with built-in controller)

## STANDARD

Model	Item #	Torque Ranges		Speed RPM
		lbf.ft	N.m	
EFCip10	210300	52 - 295	70 - 400	76
EFCip20	210301	59 - 442	80 - 600	38
EFCip30	210302	111 - 727	150 - 1000	24
EFCip40	210303	185 - 1106	250 - 1500	15
EFCip50	210304	221 - 1327	300 - 1800	13
EFCip60	210305	332 - 1843	450 - 2500	12
EFCip70	210307	443 - 2581	600 - 3500	9
EFCip80	210308	590 - 3097	800 - 4200	7
EFCip90	210310	738 - 3688	1000 - 5000	6
EFCip100	210311	959 - 4646	1300 - 6300	4

## PLUS

Model	Item #	Torque Ranges		Speed RPM
		lbf.ft	N.m	
EFCip10 Plus	210312	52 - 295	70 - 400	76
EFCip20 Plus	210313	59 - 442	80 - 600	38
EFCip30 Plus	210314	111 - 727	150 - 1000	24
EFCip40 Plus	210316	185 - 1106	250 - 1500	15
EFCip50 Plus	210315	221 - 1327	300 - 1800	13
EFCip60 Plus	210661	332 - 1843	450 - 2500	12
EFCip70 Plus	210318	443 - 2581	600 - 3500	9
EFCip80 Plus	210319	590 - 3097	800 - 4200	7
EFCip90 Plus	210320	738 - 3688	1000 - 5000	6
EFCip100 Plus	210662	959 - 4646	1300 - 6300	4



## DIMENSIONS and WEIGHT

Model	Square Drive	Spline Dia. mm	D2 mm	Length		Weight lbs.
				in.	mm	
EFCip10	3/4"	41	85	13	330	19.8
EFCip20	3/4"	41	85	13	330	19.8
EFCip30	3/4"	41	85	13	330	19.8
EFCip40	1"	54	85	15	382	22
EFCip50	1"	54	85	15	382	22
EFCip60	1"	54	98	15.3	388	24.2
EFCip70	1 1/2"	72	98	16	406	29.1
EFCip80	1 1/2"	72	123	16	406	29.1
EFCip90	1 1/2"	72	123	16.9	428	38.6
EFCip100	1 1/2"	72	123	16.9	436	40.8



Torque Multipliers are part of our Rental Program. Ask a customer service representative about availability.



## KEY FEATURES

- Accuracy better than  $\pm 5\%$ .
- Precision tightening and loosening of all heavy duty fastening connections.
- Shuts-off when pre-set torque is achieved. Non-impacting and operates at a smooth, continuous rotation.
- Increases speed and productivity, 5-10 times faster than slow ratcheting hydraulic wrenches. Less expensive than hydraulic wrenches.
- Ergonomically safer than the harmful hammering of impact wrenches. Eliminates frequent and costly repairs of impact wrenches.
- Standard models feature LED Display or "Plus" models feature LC Display.
- Microprocessor controlled. The speed, frequency and torque correspond with built-in controller (no separate box needed).
- Brushless motor design provides low maintenance.
- Over-heat protection.
- Universal AC Input (100-253V / 45-66 Hz).
- The handle can "free float" or locks in set position.
- Protected against dampness and spattered water, IP54 protection.



## STANDARD MODELS

Feature LED Display:  
Preset torque with 19 stages as well as adjustable torque direction.



## PLUS MODELS

Feature LC Display:  
Preset torque & rotation angle can be set and displayed as well as adjustable torque direction.



etorque.com

ISO 9001 and ISO 17025 Company

EFCip  
01.4