

EZ-12T & EZ-30T Telescoping Arms Operation Instructions

Rev 3 .1 (11/21/2014)



EZ-12T & EZ-30T Operation Instructions

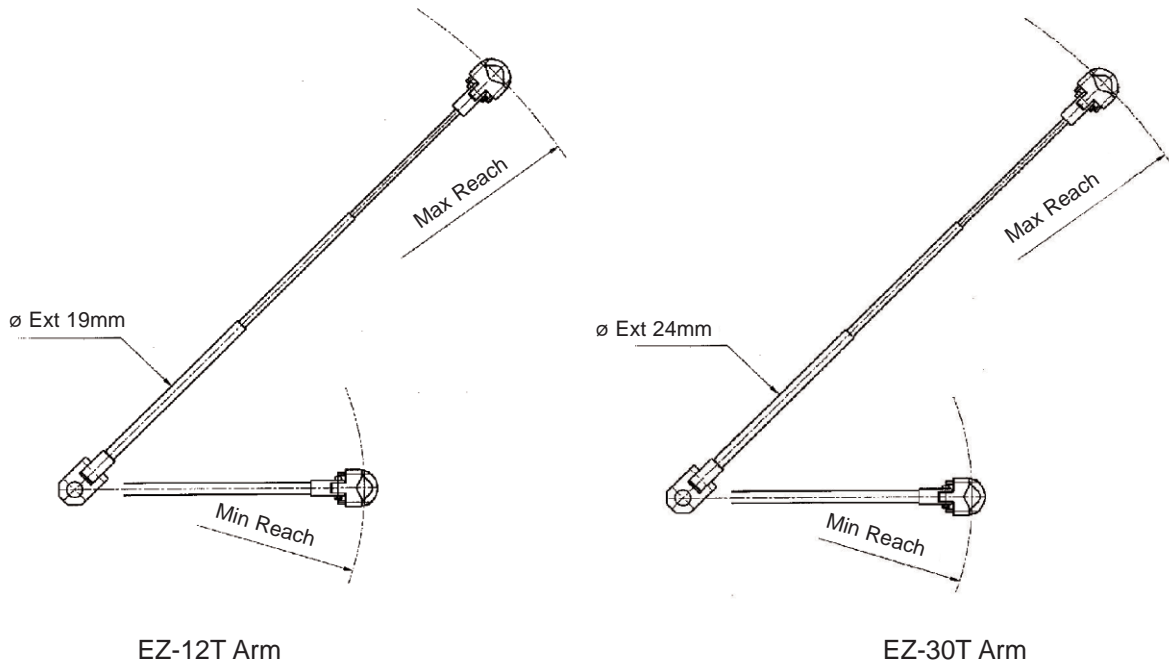
Introduction

The Telescoping arm provides the operator full flexibility on the assembly line. Crafted with lightweight durable carbon fiber the arm collapses like a telescope. The easy-to-use arm requires little space and doesn't disrupt the flow of production. Can be mounted to a workbench or wall. The carbon fiber design provides for high level of rigidity and flexibility as well as being maintenance free.

Model	Item #	Max Torque		Clamp Dia.	Min Arm Reach	Max Arm Reach
		lbft.ft	N.m			
EZ-12T	260075	8.8	12	1 - 1.5"	18.1"	37"
EZ-12T/1500	260115	8.8	12	1 - 1.5"	25.6"	59"
EZ-12T/2000	260116	8.8	12	1 - 1.5"	32.3"	78.7"
EZ-30T	260076	22.1	30	1 - 2"	18.7"	37.5"
EZ-30T/1500	260117	22.1	30	1 - 2"	25.6"	59"
EZ-30T/2000	260118	22.1	30	1 - 2"	32.3"	78.7"
EZ-30T/2500	260119	22.1	30	1 - 2"	39.1"	98.4"

Safety Measure in Use

1. When the arm is mounted, make sure that the support is securely attached.
2. Tighten the electric or pneumatic tool into the tool clamp sufficiently, but not excessively.
3. Make sure there is a balancing system properly attached to the electric or pneumatic tool.
4. Never lubricate the carbon fiber tube of the telescoping arm. Just clean the tube with a dry clean cloth.
5. Before the arm is operated, make sure there are no objects obstructing the arm and the electric or pneumatic tool (working range).



EZ-12T & EZ-30T Operation Instructions

Installation and Maintenance Recommendations for the Telescoping Arms

1. Make sure that the carbon fiber tubes are not subject to impact when the arm is in use.
2. The telescoping arms should not be used at maximum arm reach on a permanent basis.
3. Check that there is no excessive play in the clamp/yoke link (see Fig 1).
4. Don't tilt and operate the arm over a 45 degree angle (see Fig 2).
5. When the Telescoping Arm is installed at horizontal position, use the universal adapter delivered with the arm.
6. When the Telescoping Arm is installed at vertical position, remove the universal adapter delivered with the arm.

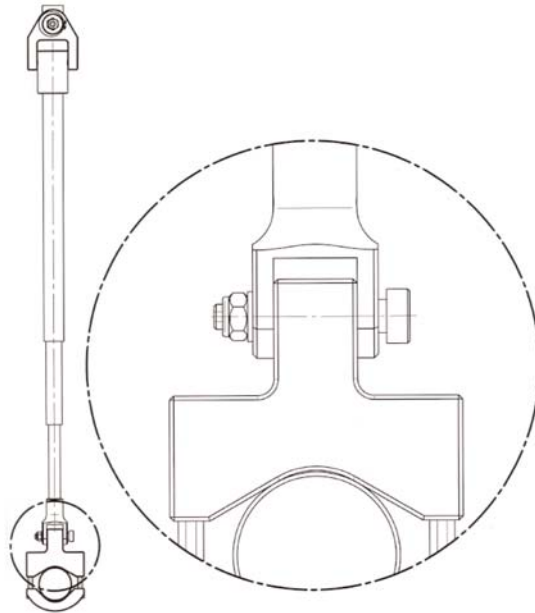


Fig 1

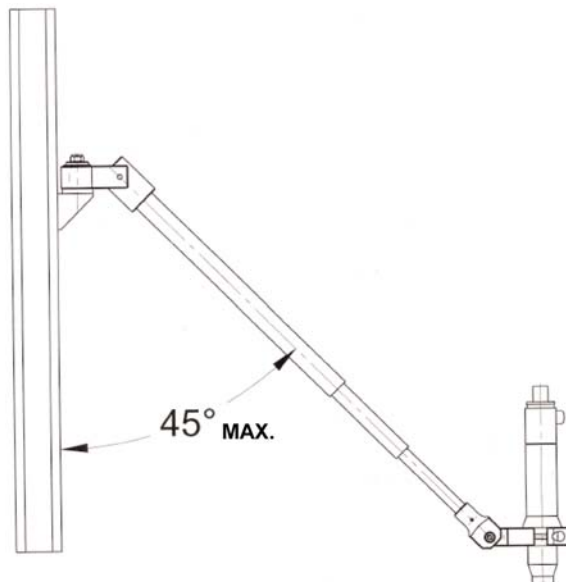
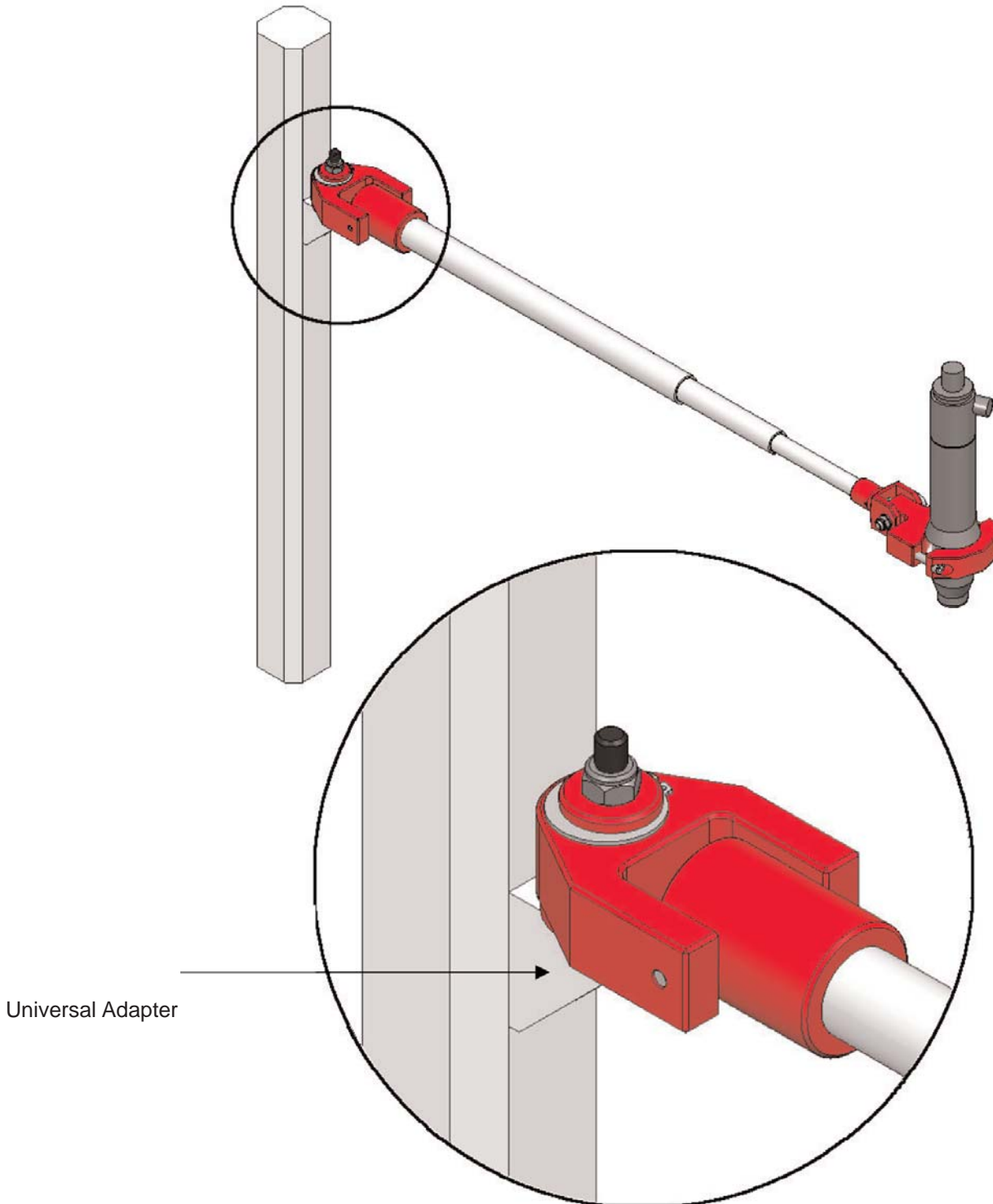


Fig 2

EZ-12T & EZ-30T Operation Instructions

Horizontal Position

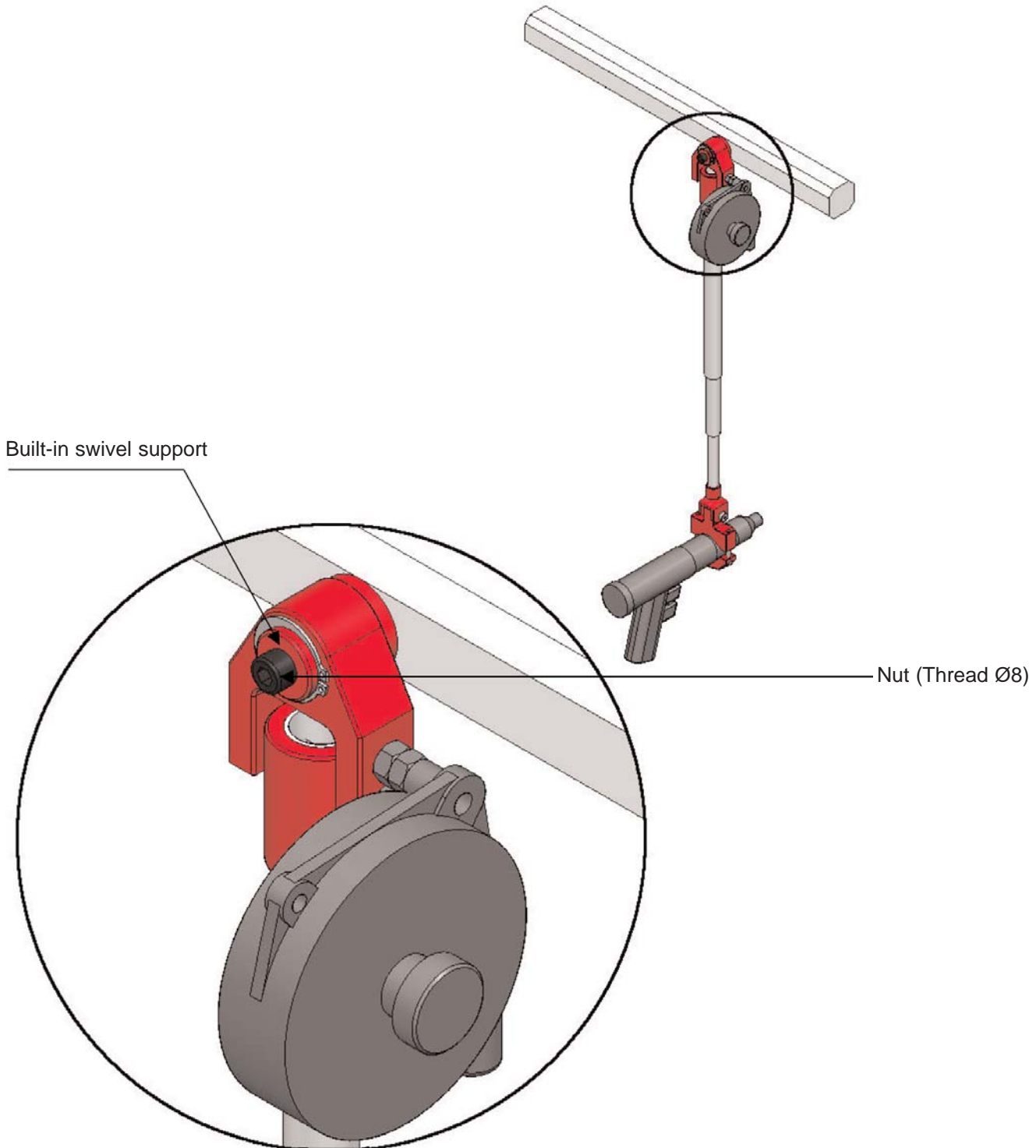
Use the universal adapter delivered with the arm.



EZ-12T & EZ-30T Operation Instructions

Vertical Position on Fix Support

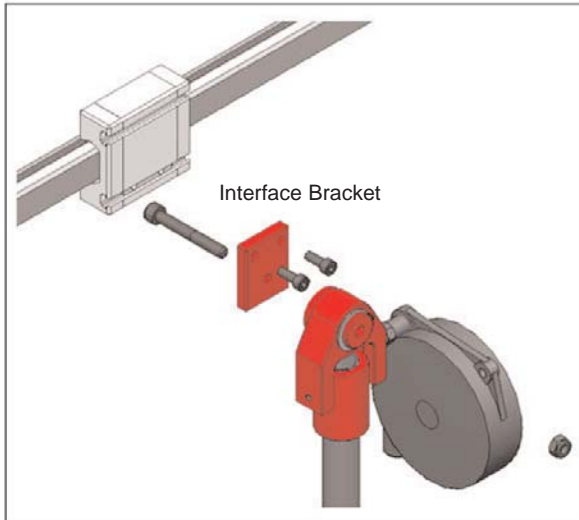
The universal adapter is not necessary anymore. Remove it and mount the arm directly on the support with the nut (Thread Ø8). Due to the built-in swivel support, the telescoping arm will remain free to move.



EZ-12T & EZ-30T Operation Instructions

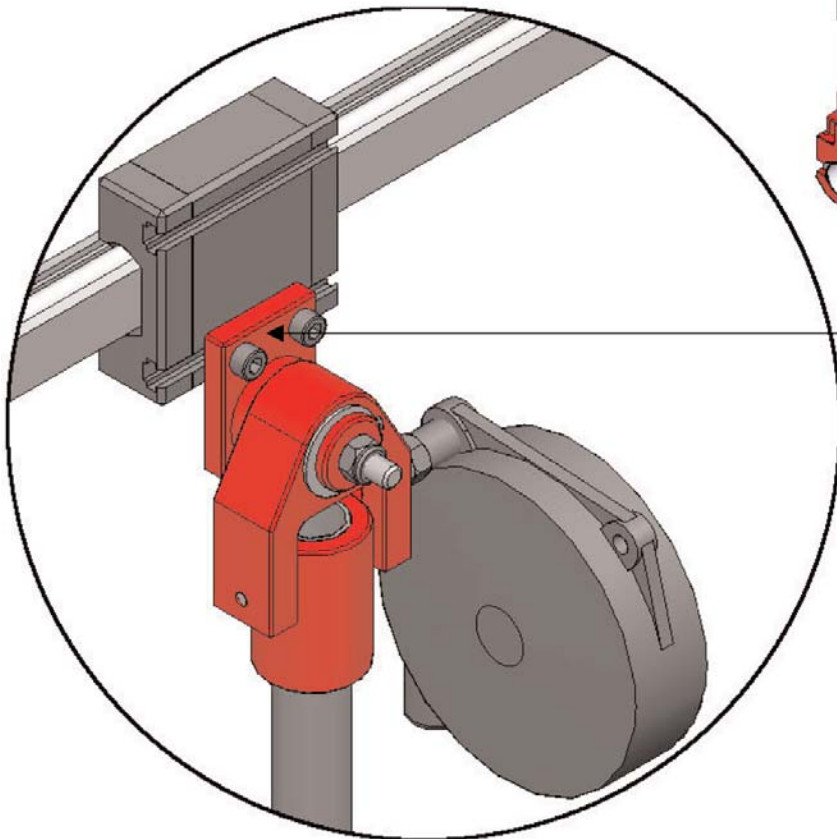
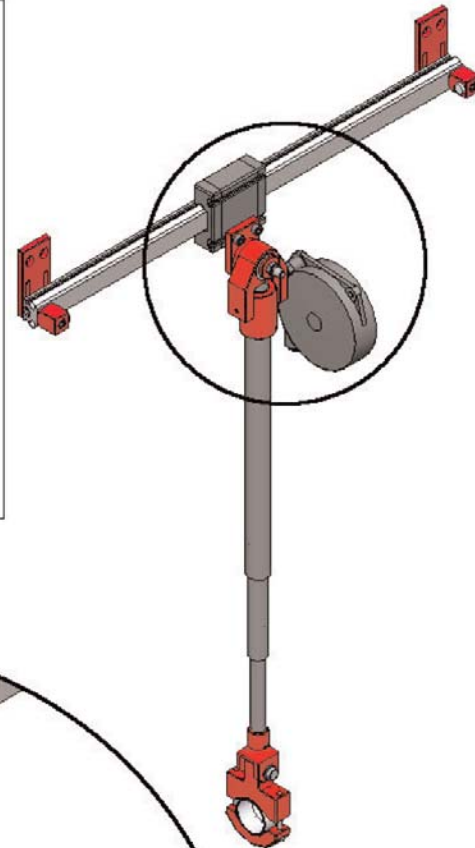
Vertical Position on a Horizontal Linear Guide Bush

The Horizontal Linear Guide Bush is an accessory item listed on the EZ-Slider page of the Mountz catalog. It is necessary to install one additional interface bracket (accessory - sold separately).



Model
Interface Bracket for EZ-30T

Item #
260051



Interface Bracket

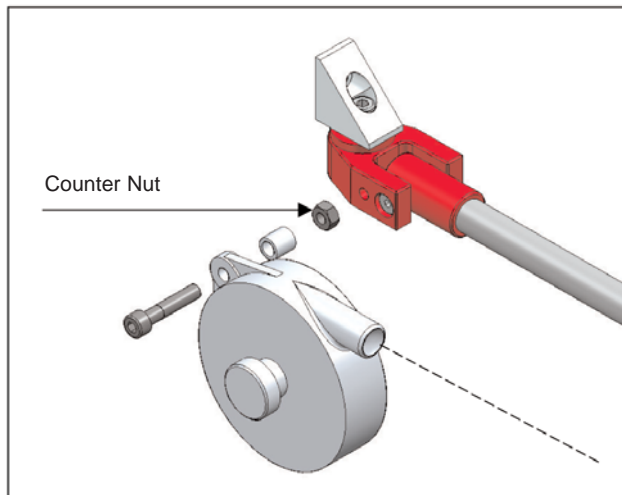
EZ-12T & EZ-30T Operation Instructions

Accessory - Balancing kit

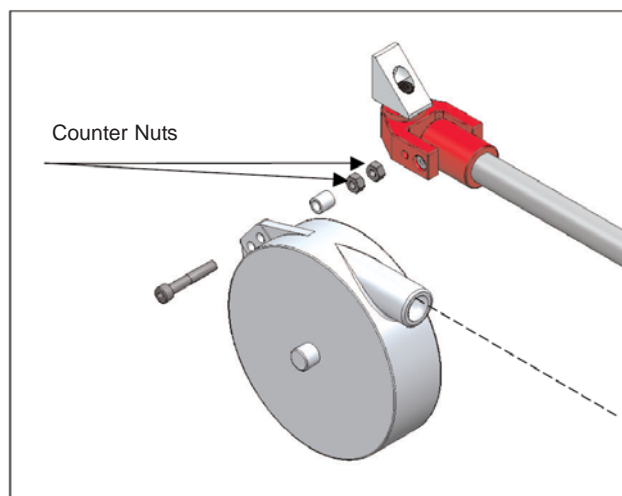
A balancing kit can be mounted on the side of any of the telescoping arms. It allows the arm to be used with pistol grip tools and angle nutrunners. Note: The telescoping arms should not be used at maximum arm reach on a permanent basis.

Model	Item #	Balancer Capacity	Stroke
E1	260140	2.2-4.4 lbs	63"
E2	260141	2.2-5.5 lbs	78.75"
E3	260142	4.4-8.8 lbs	78.75"
E4	260143	8.8-13.2 lbs	78.75"

Installation: Kit E1 for a EZ-12T Telescoping Arms



Installation: Kit E2, E3 & E4 for a EZ-30T, 80T, 140T and 200T Telescoping Arms

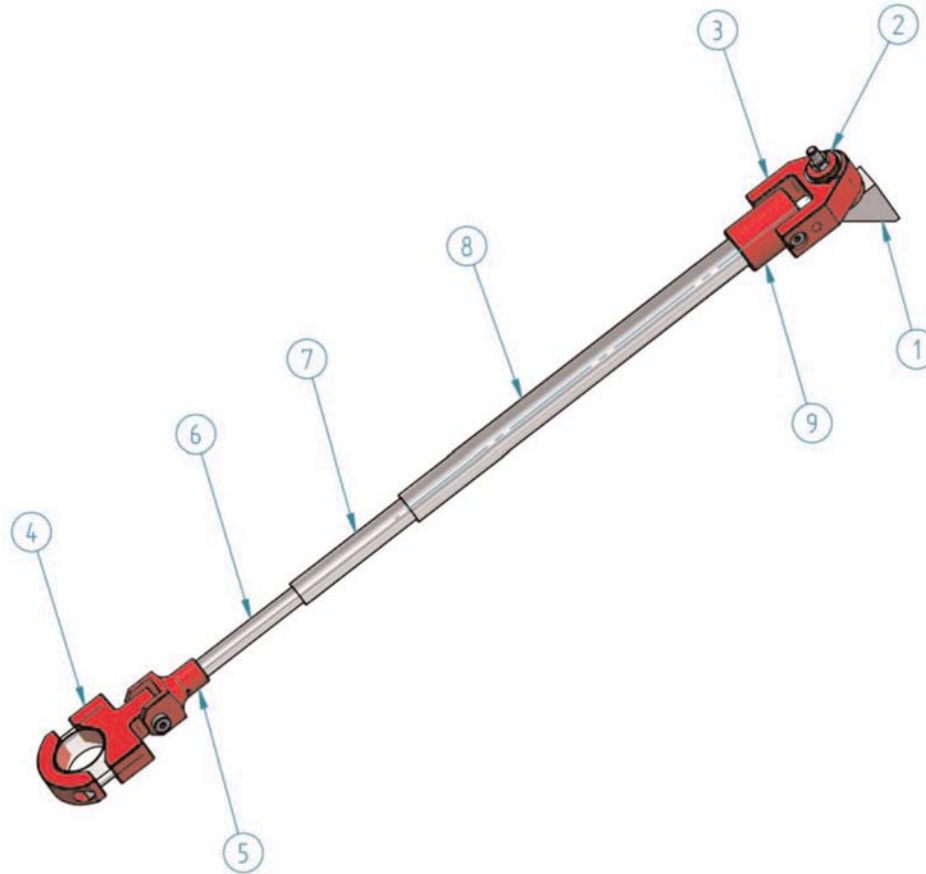


Note:

- Make sure the balancer cable output is in line with the telescopes of the arm.
- With the counter nut(s), make sure the balancer remains free.

EZ-12T & EZ-30T Operation Instructions

Exploded View



No.	Description
9	Sheath
8	Primary tube
7	Secondary tube
6	Carbon rod
5	Clamp holder
4	Clamp
3	Sheath holder
2	Pivot
1	Universal Adapter

Contact
Mountz Inc.
Phone: 408.292.2214
Fax: 408.292.2733
sales@mountztorque.com
www.mountztorque.com



Twitter: @mountztorque

Looking for fasteners?
www.mrmetric.com

mr.
metric®