

# WATERPROOF DIGITAL INDICATOR

DATA  
OUTPUT

WATERPROOF

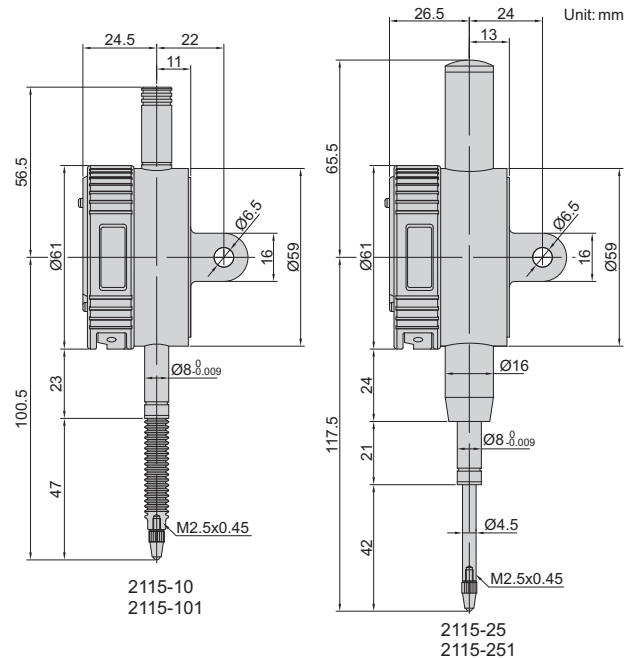


2115-10



2115-25

- Dust/waterproof
- Button function: on/off, zero, mm/inch
- CR2032 battery, automatic power off
- Data output
- Optional accessory: data output system, backs (page 132), contact points (page 128~131)



## Resolution 0.001mm/0.00005"

Code	Range	Dust/waterproof	Accuracy	Hysteresis	Remark
2115-101*	12.7mm/0.5"	IP65	5µm	2µm	lug back
2115-251*	25.4mm/1"	IP54	5µm	3µm	lug back
2115-101F*	12.7mm/0.5"	IP65	5µm	2µm	flat back
2115-251F*	25.4mm/1"	IP54	5µm	3µm	flat back

## Resolution 0.01mm/0.0005"

Code	Range	Dust/waterproof	Accuracy	Hysteresis	Remark
2115-10*	12.7mm/0.5"	IP65	20µm	10µm	lug back
2115-25*	25.4mm/1"	IP54	20µm	10µm	lug back
2115-10F*	12.7mm/0.5"	IP65	20µm	10µm	flat back
2115-25F*	25.4mm/1"	IP54	20µm	10µm	flat back

\* Supplied with manufacturer calibration certificate