

DIGITAL THREE POINTS INTERNAL MICROMETER

DATA
OUTPUT

IP54
WATERPROOF



3127-4



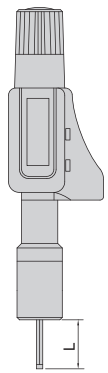
3127-12



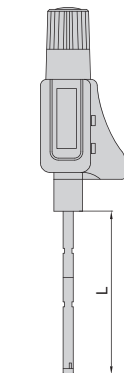
3127-40



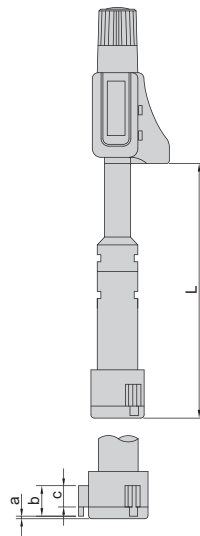
3127-125



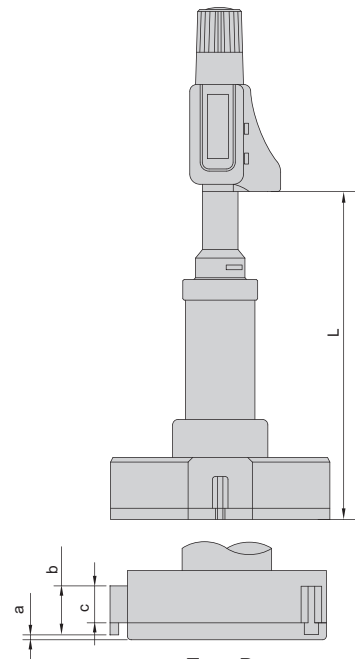
Type A
3-6mm, carbide points
two points



Type B
6-12mm, steel points
three points



Type C
12-100mm, carbide points
three points



Type D
100-300mm, carbide points
three points

setting ring



3-100mm: included
100-300mm: optional

extension rod



3-6mm: optional
6-300mm: included

interchangeable jaws



100-300mm: have two sets
of interchangeable jaws

To be continued

Continued from previous page

- Resolution 0.001mm/0.00005"
- IP54 dust/waterproof
- Buttons: on/off, set, mm/inch, ABS/INC
- Data output
- SR44 or LR44 battery, automatic power off
- Ratchet stop
- Optional accessory: data output system, setting ring (code **6312**)

Individual

(mm)

Code	Range	Type	Accuracy	Setting ring (included)	Extension rod (included)	L	a	b	c
3127-4 *	3-4mm/0.12-0.16"	A	4µm	Ø4mm	—	22.5	—	—	—
3127-5 *	4-5mm/0.16-0.20"	A	4µm	Ø5mm	—	22.5	—	—	—
3127-6 *	5-6mm/0.20-0.24"	A	4µm	Ø6mm	—	22.5	—	—	—
3127-8 *	6-8mm/0.24-0.31"	B	4µm	Ø6mm	100mm	54.5	1.5	2.5	—
3127-10 *	8-10mm/0.31-0.39"	B	4µm	Ø8mm	100mm	54.5	1.5	2.5	—
3127-12 *	10-12mm/0.39-0.47"	B	4µm	Ø10mm	100mm	54.5	1.5	2.5	—
3127-16 *	12-16mm/0.47-0.63"	C	4µm	Ø16mm	150mm	80	0.5	6	4.5
3127-20 *	16-20mm/0.63-0.79"	C	4µm	Ø16mm	150mm	80	0.5	6	4.5
3127-25 *	20-25mm/0.79-0.98"	C	4µm	Ø25mm	150mm	90	0.5	8	6
3127-30 *	25-30mm/0.98-1.18"	C	4µm	Ø25mm	150mm	90	0.5	8	6
3127-40 *	30-40mm/1.18-1.57"	C	4µm	Ø40mm	150mm	97	0.5	14	12
3127-50 *	40-50mm/1.57-1.97"	C	5µm	Ø40mm	150mm	97	0.5	14	12
3127-63 *	50-63mm/1.97-2.48"	D	5µm	Ø62mm	150mm	114	0.5	17.5	14.5
3127-75 *	62-75mm/2.44-2.95"	D	5µm	Ø62mm	150mm	114	0.5	17.5	14.5
3127-88 *	75-88mm/2.95-3.46"	D	5µm	Ø87mm	150mm	114	0.5	17.5	14.5
3127-100 *	87-100mm/3.43-3.94"	D	5µm	Ø87mm	150mm	114	0.5	17.5	14.5
3127-125 *	100-125mm/3.94-4.92"	D	5µm	—	150mm	150	0.5	19.5	14.5
3127-150 *	125-150mm/4.92-5.91"	D	5µm	—	150mm	150	0.5	19.5	14.5
3127-175 *	150-175mm/5.91-6.89"	D	5µm	—	150mm	150	0.5	19.5	14.5
3127-200 *	175-200mm/6.89-7.87"	D	5µm	—	150mm	150	0.5	19.5	14.5
3127-225	200-225mm/7.87-8.86"	D	7µm	—	150mm	150	0.5	19.5	14.5
3127-250	225-250mm/8.86-9.84"	D	7µm	—	150mm	150	0.5	19.5	14.5
3127-275	250-275mm/9.84-10.83"	D	7µm	—	150mm	150	0.5	19.5	14.5
3127-300	275-300mm/10.83-11.81"	D	7µm	—	150mm	150	0.5	19.5	14.5

Set

Code	Range	Micrometers (included)	Setting ring (included)	Extension rod (included)
3127-363 *	3-6mm/0.12-0.24"	3-4mm, 4-5mm, 5-6mm	Ø4mm, Ø5mm, Ø6mm	—
3127-123 *	6-12mm/0.24-0.47"	6-8mm, 8-10mm, 10-12mm	Ø6mm, Ø8mm, Ø10mm	100mm
3127-202 *	12-20mm/0.47-0.79"	12-16mm, 16-20mm	Ø16mm	150mm
3127-504 *	20-50mm/0.79-1.97"	20-25mm, 25-30mm, 30-40mm, 40-50mm	Ø25mm, Ø40mm	150mm
3127-1004 *	50-100mm/1.97-3.94"	50-63mm, 62-75mm, 75-88mm, 87-100mm	Ø62mm, Ø87mm	150mm

* Supplied with manufacturer calibration certificate