

OVERLOAD RELAY 160...630 A FOR MOTOR PROTECTION SIZE S10/S12, CLASS 5...30 MOUNT. ONTO CONT./ STAND-ALONE MAIN CIRCUIT: BAR CONNECTION AUX. CIRCUIT: SCREW CONNECTION MANUAL-AUTOMATIC-RESET INT. EARTH FAULT DETECTION



Figure similar

product brand name	SIRIUS
Product designation	solid-state overload relay

General technical data:	
Size of contactor can be combined company-specific	S10, S12
Power loss [W] total typical	0.05 W
Insulation voltage	1 000 V
• with degree of pollution 3 rated value	
Surge voltage resistance rated value	8 kV
Protection class IP	IP20
• on the front	
Shock resistance	15g / 11 ms
Type of protection	PTB 06 ATEX 3001 Ex II (2) GD
Equipment marking acc. to DIN EN 81346-2	F

Ambient conditions:	
Installation altitude at height above sea level maximum	2 000 m
Ambient temperature	

<ul style="list-style-type: none"> during operation 	-25 ... +60 °C
<ul style="list-style-type: none"> during storage 	-40 ... +80 °C
<ul style="list-style-type: none"> during transport 	-40 ... +80 °C
Relative humidity during operation	95 %

Main circuit:

Number of poles for main current circuit	3
Adjustable pick-up value current of the current-dependent overload release	160 ... 630 A
Operating voltage	
<ul style="list-style-type: none"> at AC-3 rated value maximum 	1 000 V

Auxiliary circuit:

Number of NC contacts	
<ul style="list-style-type: none"> for auxiliary contacts 	1
Number of NO contacts	
<ul style="list-style-type: none"> for auxiliary contacts 	1
Number of CO contacts	
<ul style="list-style-type: none"> for auxiliary contacts 	0
Operating current of auxiliary contacts at AC-15	
<ul style="list-style-type: none"> at 24 V at 110 V at 120 V at 125 V at 230 V 	4 A 4 A 4 A 4 A 3 A
Operating current of auxiliary contacts at DC-13	
<ul style="list-style-type: none"> at 24 V at 60 V at 110 V at 125 V 	2 A 0.55 A 0.3 A 0.3 A

Short-circuit protection

Design of the fuse link	
<ul style="list-style-type: none"> for short-circuit protection of the auxiliary switch required 	fuse gG: 6 A

Installation/ mounting/ dimensions:

Mounting position	any
Mounting type	direct mounting / stand-alone installation
Height	147 m
Width	145 m
Depth	156 m
Required spacing	
<ul style="list-style-type: none"> with side-by-side mounting — forwards 	0 m

— Backwards	0 m
— upwards	0 m
— downwards	0 m
— at the side	0 m
• for grounded parts	
— forwards	0 m
— Backwards	0 m
— upwards	0 m
— at the side	6 m
— downwards	0 m
• for live parts	
— forwards	0 m
— Backwards	0 m
— upwards	0 m
— downwards	0 m
— at the side	6 m

Connections/ Terminals:

Product function	
• removable terminal for auxiliary and control circuit	Yes
Type of electrical connection	
• for main current circuit	busbar connection
• for auxiliary and control current circuit	screw-type terminals
Type of connectable conductor cross-sections	
• for auxiliary contacts	
— solid	0.5 ... 4 mm ² , 2x (0.5 ... 2.5 mm ²)
• at AWG conductors for auxiliary contacts	2x (20 ... 14)

Electromagnetic compatibility:

Field-bound parasitic coupling acc. to IEC 61000-4-3	10 V/m
Electrostatic discharge acc. to IEC 61000-4-2	6 kV contact discharge / 8 kV air discharge

Certificates/approvals

General Product Approval	EMC	For use in hazardous locations
--------------------------	-----	--------------------------------



Declaration of Conformity	Test Certificates	Shipping Approval
---------------------------	-------------------	-------------------



[Typprüfbescheinigung/Werkszeugnis](#)

[Werksbescheinigung](#)

[spezielle Prüfbescheinigungen](#)



Shipping Approval	other
-------------------	-------



[sonstig](#)

[Umweltbestätigung](#)

[Bestätigungen](#)

Further information

Information- and Downloadcenter (Catalogs, Brochures,...)

<http://www.siemens.com/industrial-controls/catalogs>

Industry Mall (Online ordering system)

<https://mall.industry.siemens.com/mall/en/en/Catalog/product?mlfb=3RB2163-4MC2>

Cax online generator

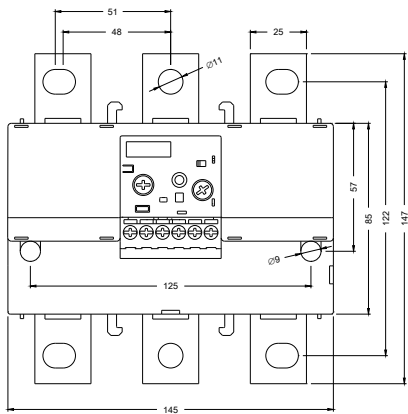
<http://support.automation.siemens.com/WW/CAXorder/default.aspx?lang=en&mlfb=3RB2163-4MC2>

Service&Support (Manuals, Certificates, Characteristics, FAQs,...)

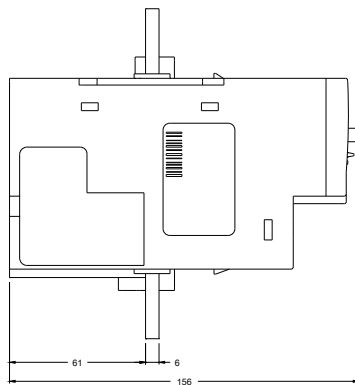
<https://support.industry.siemens.com/cs/ww/en/ps/3RB2163-4MC2>

Image database (product images, 2D dimension drawings, 3D models, device circuit diagrams, EPLAN macros, ...)

http://www.automation.siemens.com/bilddb/cax_de.aspx?mlfb=3RB2163-4MC2&lang=en



last modified:



07/08/2016