

Low PIM N Male to 7/16 DIN Female Adapter
Low VSWR

Electrical Specifications

Frequency Range	DC to 8 GHz
Maximum VSWR	1.23:1
Dielectric Withstanding Voltage	1,000 Vrms
Maximum Passive Intermodulation (2 x 20 Watts)	-165 dBc

Specifications by Frequency

Description	F1	F2	F3	F4	F5	Units
Range	DC to 1	1 to 4	4 to 8			GHz
VSWR	1.04:1	1.12:1	1.23:1			
Return Loss	34	25	20			dB

Mechanical Specifications

Size

Length	1.64 in [41.66 mm]
Width	1.14 in [28.96 mm]
Weight	0.19 lbs [86.18 g]

Connector 1

Type	N Male
Mating Cycles	500
Inner Conductor Material and Plating	Beryllium Copper, Silver
Inner Conductor Plating Specification	200 [5] μ in. [μ m] minimum
Outer Conductor Material and Plating	Brass, Tri-Metal
Outer Conductor Plating Specification	100 [2.54] μ in. [μ m] minimum
Coupling Nut Material and Plating	Brass, Tri-Metal
Coupling Nut Plating Specification	100 [2.54] μ in. [μ m] minimum
Hex Size	21 mm
Torque	15 in-lbs [1.7 Nm]
Body Material and Plating	Brass, Tri-Metal
Body Plating Specification	100 [2.54] μ in. [μ m] minimum
Dielectric Type	PTFE

Connector 2

Type	7/16 DIN Female
Mating Cycles	500
Inner Conductor Material and Plating	Beryllium Copper, Silver
Inner Conductor Plating Specification	200 [5] μ in. [μ m] minimum
Outer Conductor Material and Plating	Brass, Tri-Metal
Outer Conductor Plating Specification	100 [2.54] μ in. [μ m] minimum
Body Material and Plating	Brass, Tri-Metal
Body Plating Specification	100 [2.54] μ in. [μ m] minimum
Dielectric Type	PTFE

Environmental Specifications

Temperature

Operating Range	-55 to +155 deg C
-----------------	-------------------



Features:

- Connector 1: N Male
- Impedance 1: 50 Ohms
- Connector Specification 1: MIL-STD-348
- Connector 2: 7/16 DIN Female
- Impedance 2: 50 Ohms
- Connector Specification 2: IEC 169-4 (0.232 dia. Enhancement)
- Adapter Design: Low PIM
- Body Style: Straight
- Low PIM: -165 dBc

Fairview Microwave
 1130 Junction Dr. #100
 Allen, TX 75013
 Tel: 1-800-715-4396 / (972) 649-6678
 Fax: (972) 649-6689
www.fairviewmicrowave.com
sales@fairviewmicrowave.com

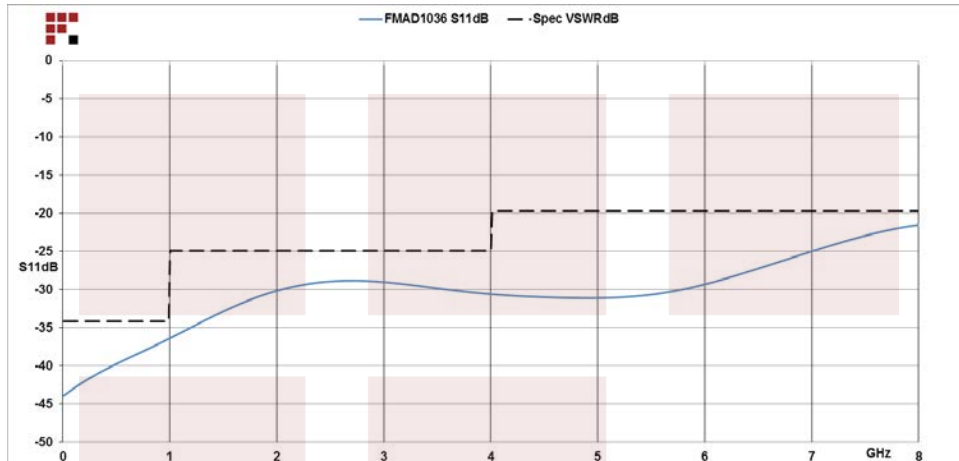
Compliance Certifications (visit www.FairviewMicrowave.com for current document)

RoHS Compliant Yes
 REACH Compliant 06/16/2014

Plotted and Other Data

Notes:
 • Values at 25 °C, sea level

Typical Performance Data

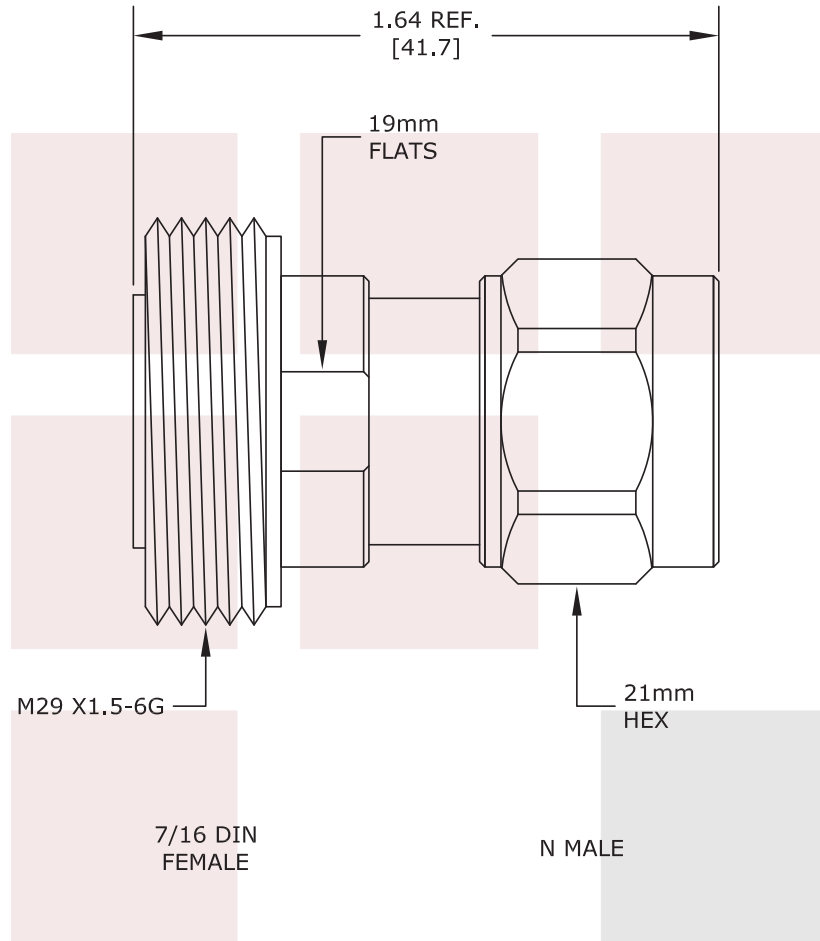


Low PIM N Male to 7/16 DIN Female Adapter Low VSWR from Fairview Microwave is in-stock and available to ship same-day. All of our RF/microwave products are available off-the-shelf from our ISO 9001:2008 certified facilities in Allen, Texas. Fairview Microwave is RF on-demand.

For additional information on this product, please click the following link: [Low PIM N Male to 7/16 DIN Female Adapter Low VSWR FMAD1036](http://www.fairviewmicrowave.com/low-pim-n-male-7-16-female-adapter-fmad1036-p.aspx)

URL: <http://www.fairviewmicrowave.com/low-pim-n-male-7-16-female-adapter-fmad1036-p.aspx>

The information contained in this document is accurate to the best of our knowledge and representative of the part described herein. It may be necessary to make modifications to the part and/or the documentation of the part, in order to implement improvements. Fairview Microwave reserves the right to make such changes as required. Unless otherwise stated, all specifications are nominal. Fairview Microwave does not make any representation or warranty regarding the suitability of the part described herein for any particular purpose, and Fairview Microwave does not assume any liability arising out of the use of any part or documentation.



FAIRVIEW MICROWAVE INC. ALLEN, TX 75013 WWW.FAIRVIEWMICROWAVE.COM		NOTES: 1. UNLESS OTHERWISE SPECIFIED ALL DIMENSIONS ARE NOMINAL. 2. ALL SPECIFICATIONS ARE SUBJECT TO CHANGE WITHOUT NOTICE AT ANY TIME. 3. DIMENSIONS ARE IN INCHES [mm].			
TITLE Low PIM N Male to 7/16 DIN Female Adapter Low VSWR	DWG NO FMAD1036		CAGE CODE 3FKR5		
	CAD FILE 120914	SHEET	SCALE N/A	SIZE A	2233