



KERN & Sohn GmbH

Ziegelei 1

D-72336 Balingen

E-Mail: info@kern-sohn.com

Phone: +49-[0]7433-9933-0

Fax: +49-[0]7433-9933-149

Internet: www.kern-sohn.com

Operating instructions Electronic Suspended Balance

Logbook Regular maintenance and care

KERN HCB / HCN

Version 4.3

05/2015

GB



HCB / HCN-BA-e-1543



KERN HCB / HCN

Version 4.3 05/2015

Operating instructions / logbook Electronic Suspended Balance

Contents

1.	Technical data	4
1.1	Dimensions	10
1.1.1	HCB ≤ 200 kg	10
1.1.2	HCB 05T-3	11
1.1.3	HCB 1T-3	12
1.1.4	Modelle HCN	13
1.1.5	Carbine and hook (models HCB ≤ 200 kg and models HCN)	14
2.	General Safety Instructions	15
2.1	Duties of the owner-operator	15
2.2	Organizational measures	15
2.3	Environmental conditions	15
2.4	Pay attention to the instructions in the Operation Manual	16
2.5	Proper use	16
2.6	Improper Use	16
2.7	Warranty	17
2.8	Safety-conscious working	17
2.9	Monitoring of Test Resources	17
2.10	Testing upon acceptance	17
2.11	Initial Commissioning	17
2.12	Shutdown and storage	17
3.	The suspended balance at a glance	18
3.1	Overview	18
3.2	Overview visual displays and keyboard	21
3.3	Label	22
4.	Commissioning	23
4.1	Unpacking	23
4.2	Scope of delivery	23
4.3	Checking the original dimensions	24
4.4	Battery operation	24
4.5	Suspending the balance	25
5.	Operation	26
5.1	Safety instructions	26
5.2	Loading the suspended balance	27
5.3	Turn on/off	30
5.4	Taring	30
5.5	Weighing	30
5.6	Switch-over weighing unit	31
5.7	Functions	31

6.	Menu	33
7.	Adjustment	34
8.	Cleaning, Maintenance and Disposal	35
8.1	Cleaning and Disposal	35
8.2	Regular maintenance and care	36
8.3	Checklist „regular maintenance“, (see chapter 8.2)	38
9.	Enclosure	41
9.1	Checklist „Enhanced maintenance“ (General revision)	41
9.2	List „spare parts and repair of safety-relevant parts“	42
10.	Declaration of -Conformity	43

1. Technical data

KERN	HCB 20K10	HCB 20K50	HCB 50K20
Readability (d)	10 g	50 g	20 g
Weighing range (max)	20 kg	20 kg	50 kg
Taring range (subtractive)	20 kg	20 kg	50 kg
Reproducibility	10 g	50 g	20 g
Linearity	±20 g	±100 g	±40 g
Recommended adjustment weight, not added (class)	10 kg (M3)	10 kg (M3)	20 kg (M3)
Stabilization time	2 s		
Precision	0.5 % of max.		
Warm-up time	10 min		
Units	kg, lb, N		
Auto off	3 min		
Allowable ambient temperature	5...+35 °C		
Ambient humidity (max)	80 %		
Battery (in series)	3 x 1.5 V AA Running time rating 300 hrs		
Display	Digit height 12 mm		
Housing size W x D x H	80 mm x 45 mm x 150 mm		
Housing material	Synthetic material		
Hook and carbine material	Stainlees steel		
Net weight	400 g		

KERN	HCB 50K100	HCB 99K50	HCB 100K200
Readability (d)	100 g	50 g	200 g
Weighing range (max)	50 kg	99 kg	100 kg
Taring range (subtractive)	20 kg	20 kg	50 kg
Reproducibility	100 g	50 g	200 g
Linearity	±200 g	±100 g	±400 g
Recommended adjustment weight, not added (class)	20 kg (M3)	50 kg (M3)	50 kg (M3)
Stabilization time	2 s		
Precision	0.5 % of max.		
Warm-up time	10 min		
Units	kg, lb, N		
Auto off	3 min		
Allowable ambient temperature	5...+35 °C		
Ambient humidity (max)	80 %		
Battery (in series)	3 x 1.5 V AA Running time rating 300 hrs		
Display	Digit height 12 mm		
Housing size W x D x H	80 mm x 45 mm x 150 mm		
Housing material	Synthetic material		
Hook and carbine material	Stainlees steel		
Net weight	400 g		

KERN	HCB 200K100	HCB 200K500
Readability (d)	100 g	500 g
Weighing range (max)	200 kg	200 kg
Taring range (subtractive)	200 kg	200 kg
Reproducibility	100 g	500 g
Linearity	± 200 g	± 1000 g
Recommended adjustment weight, not added (class)	100 kg (M3)	100 kg (M3)
Stabilization time	2 s	
Precision	0.5 % of max.	
Warm-up time	10 min	
Units	kg, lb, N	
Auto off	3 min	
Allowable ambient temperature	5...+35 °C	
Ambient humidity (max)	80 %	
Battery (in series)	3 x 1.5 V AA Running time rating 300 hrs	
Display	Digit height 12 mm	
Housing size W x D x H	80 mm x 45 mm x 150 mm	
Housing material	Synthetic material	
Hook and carbine material	Stainlees steel	
Net weight	400 g	

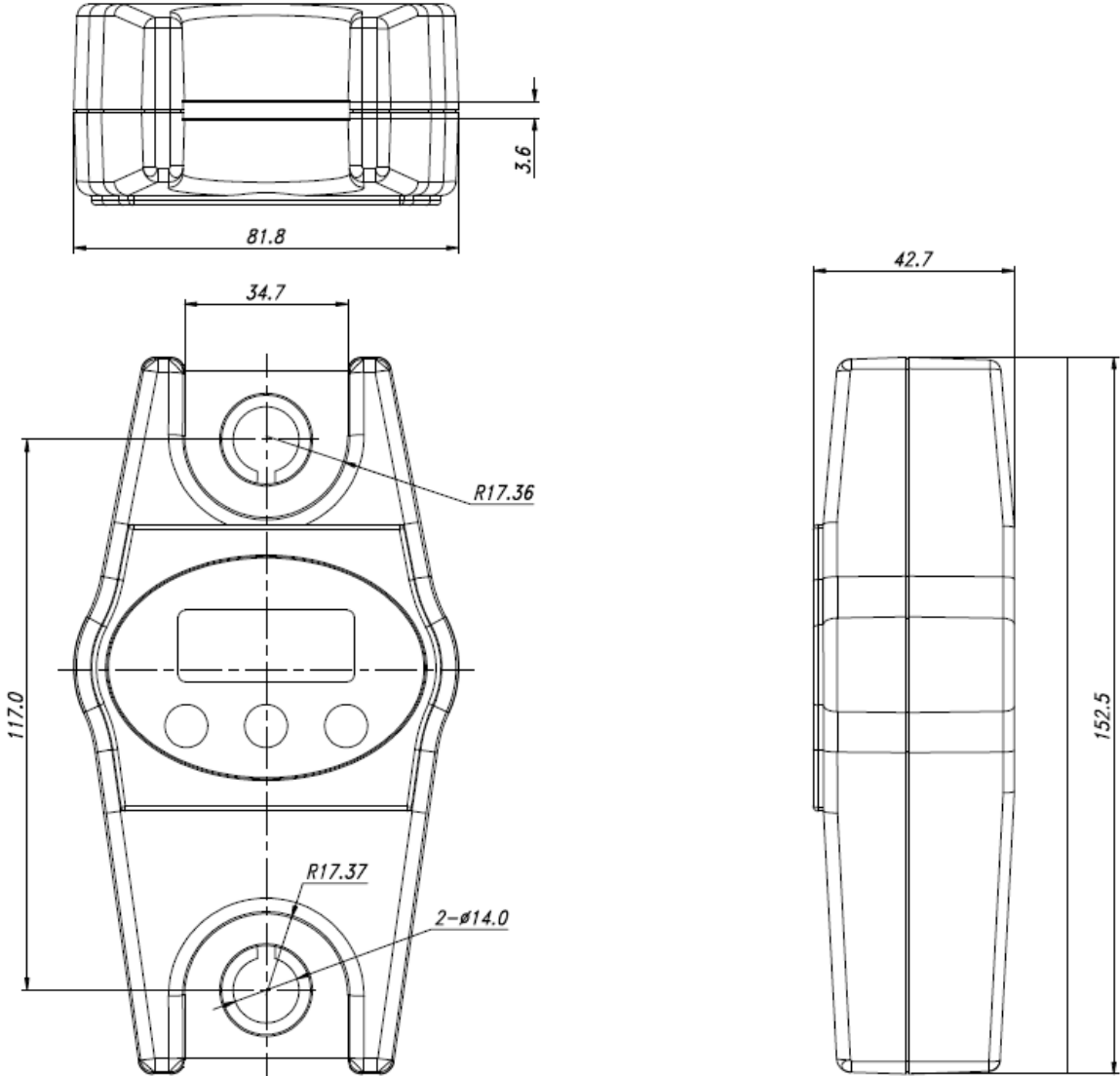
KERN	HCB 0.5T-3	HCB 1T-3
Readability (d)	1 kg	2 kg
Weighing range (max)	500 kg	1000 kg
Taring range (subtractive)	500 kg	1000 kg
Reproducibility	1 kg	2 kg
Linearity	±2 kg	±4 kg
Recommended adjustment weight, not added (class)	200 kg (M3)	500 kg (M3)
Stabilization time	2 s	
Precision	0.5 % of max.	
Warm-up time	10 min	
Units	kg, lb, N	
Auto off	3 min	
Allowable ambient temperature	5...+35 °C	
Ambient humidity (max)	80 %	
Battery (in series)	3 x 1.5 V AA Running time rating 300 hrs	
Display	Digit height 12 mm	
Housing size W x D x H	80 mm x 45 mm x 150 mm	80 mm x 48 mm x 150 mm
Housing material	Synthetic material	
Suspension material	Stainlees steel	
Net weight	350 g	520 g

KERN	HCN 20K50IP	HCN 50K100IP
Readability (d)	50 g	100 g
Weighing range (max)	20 kg	50 kg
Taring range (subtractive)	20 kg	50 kg
Reproducibility	50 g	100 g
Linearity	±100 g	±200 g
Recommended adjustment weight, not added (class)	10 kg (M3)	50 kg (M3)
Stabilization time	2 s	
Precision	0.5 % of max.	
Warm-up time	10 min	
Units	kg, lb, N	
Auto off	3 min	
Allowable ambient temperature	5...+35 °C	
Ambient humidity (max)	80 %	
Battery (in series)	2 x 1.5 V AA Running time rating 200 hrs	
Display	Digit height 12 mm	
Housing size W x D x H	95 mm x 55 mm x 175 mm	
Housing material	Stainless steel	
Hook and carbine material	Stainless steel	
Net weight	800 g	
Dust and water splash protection	IP 65	

KERN	HCN 100K200IP	HCN 200K500IP
Readability (d)	200 g	500 g
Weighing range (max)	100 kg	200 kg
Taring range (subtractive)	100 kg	200 kg
Reproducibility	200 g	500 g
Linearity	± 400 g	± 1 kg
Recommended adjustment weight, not added (class)	50 kg (M3)	100 kg (M3)
Stabilization time	2 s	
Precision	0.5 % of max.	
Warm-up time	10 min	
Units	kg, lb, N	
Auto off	3 min	
Allowable ambient temperature	5...+35 °C	
Ambient humidity (max)	80 %	
Battery (in series)	2 x 1.5 V AA Running time rating 200 hrs	
Display	Digit height 12 mm	
Housing size W x D x H	95 mm x 55 mm x 175 mm	
Housing material	Stainless steel	
Hook and carbine material	Stainless steel	
Net weight	800 g	
Dust and water splash protection	IP 65	

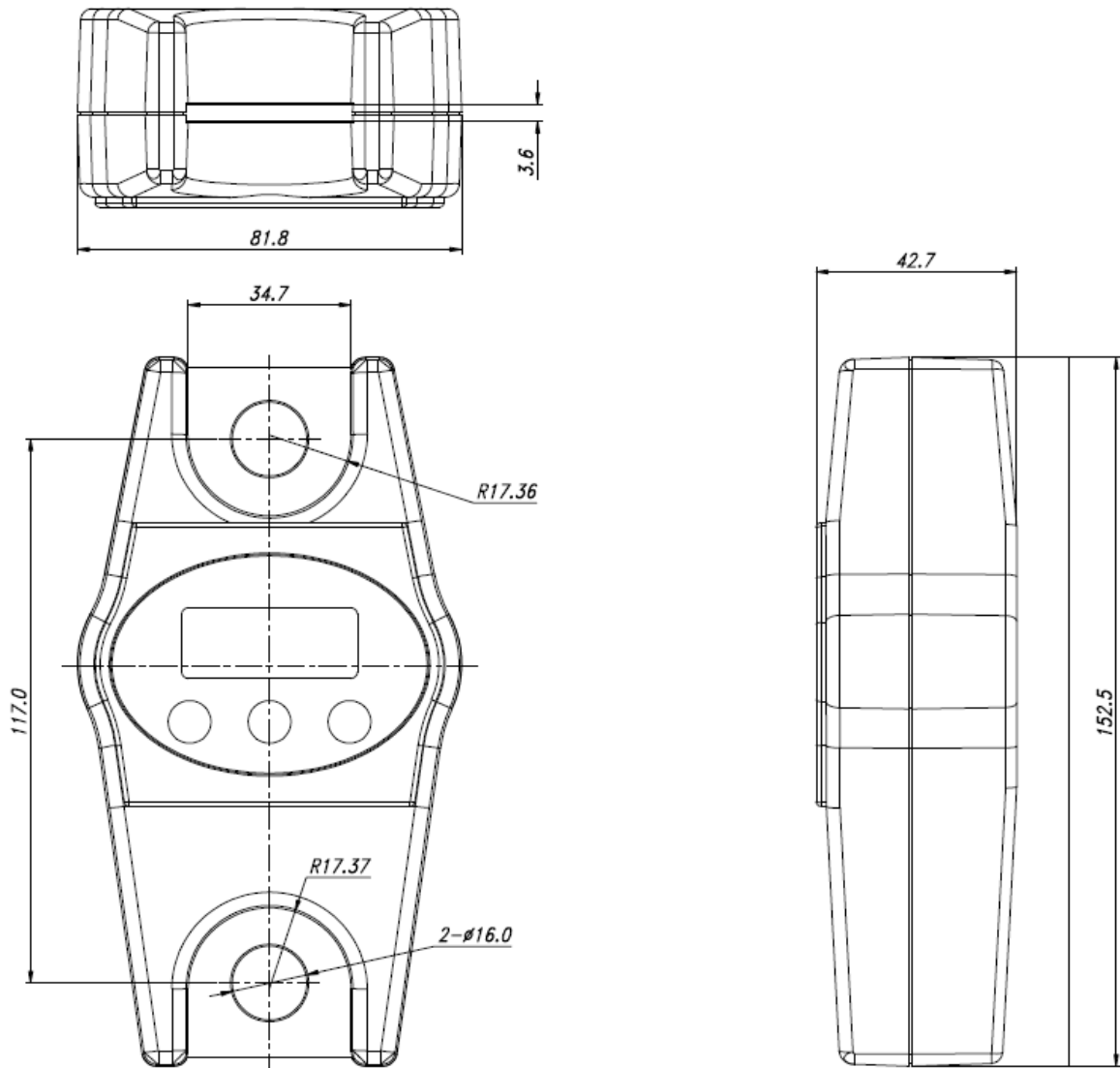
1.1 Dimensions

1.1.1 HCB ≤ 200 kg

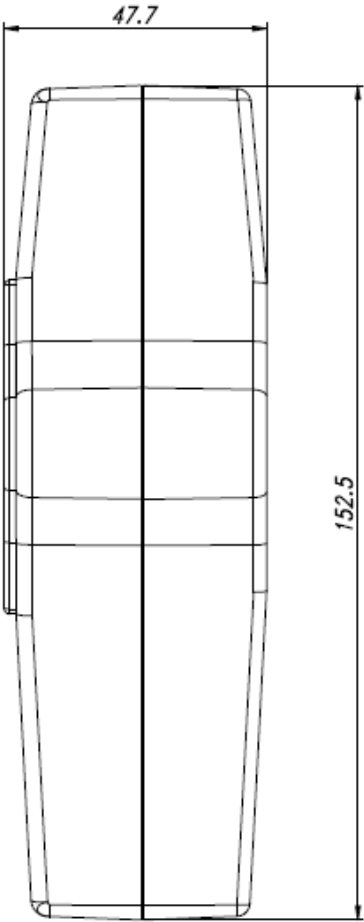
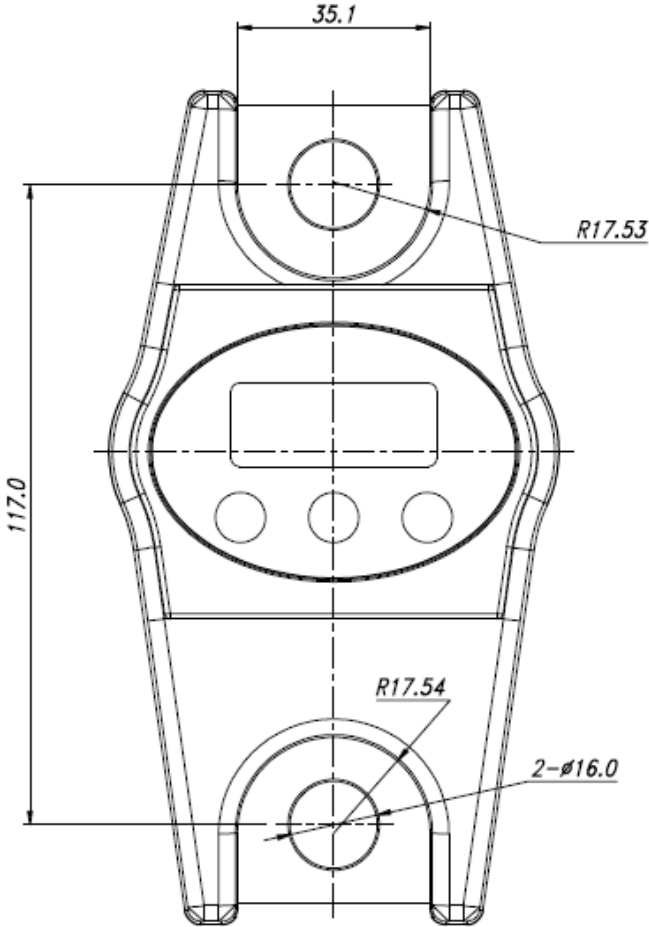
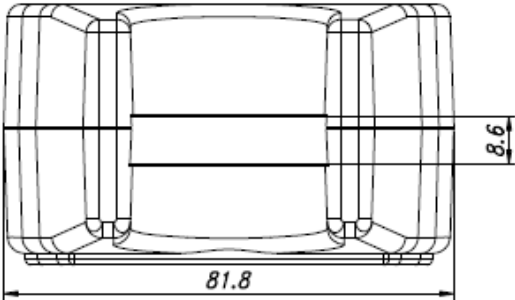


English

1.1.2 HCB 05T-3

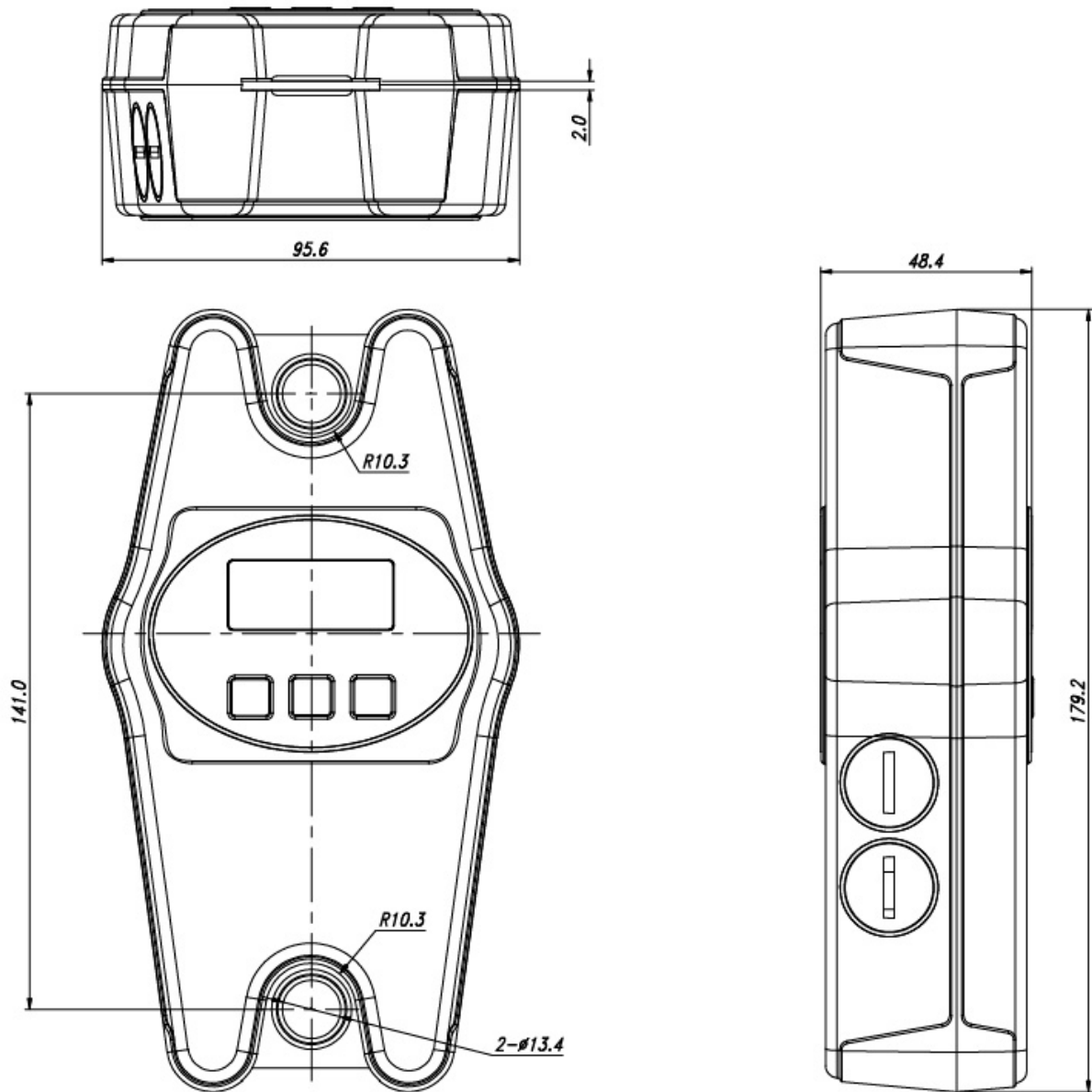


1.1.3 HCB 1T-3

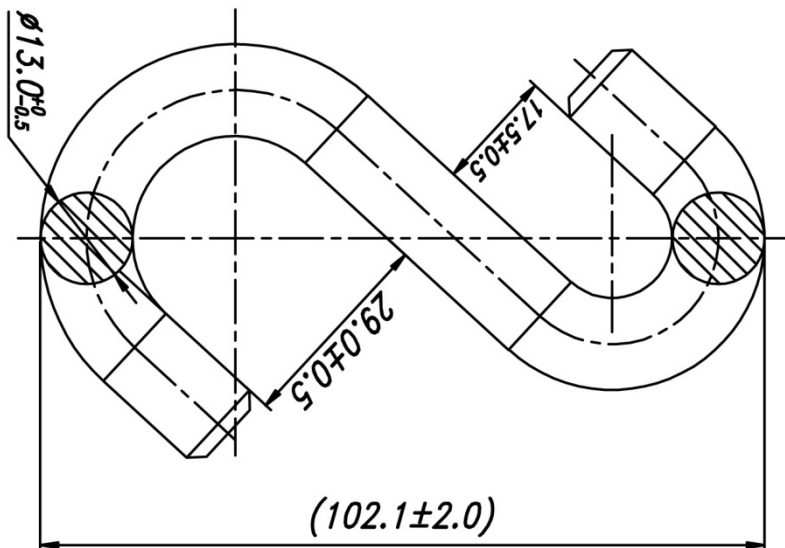
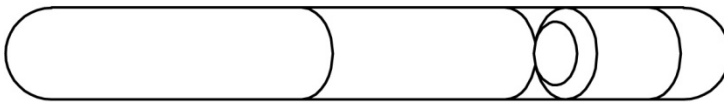
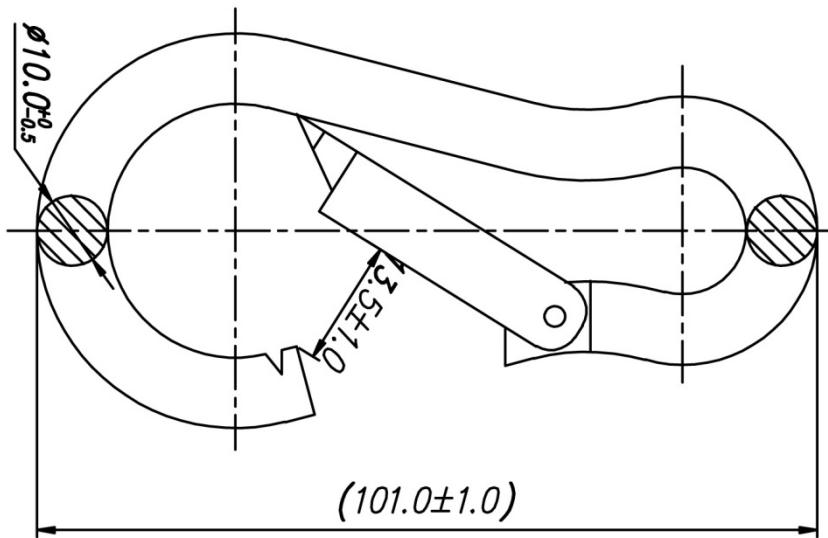


English

1.1.4 Modelle HCN



1.1.5 Carbine and hook (models HCB \leq 200 kg and models HCN)



2. General Safety Instructions

2.1 Duties of the owner-operator

Follow national accident prevention regulations and all operator health and safety at work and operating regulations.

- Observe all safety regulations of the crane manufacturer.
- The balance may only be used for the proposed purpose. Any type of use which is not specified in these operating instructions, will be considered as improper use. The customer is solely responsible for material damage and injury of persons resulting from an improper use, Messrs. KERN & Sohn will not be liable under any circumstance.

Messrs. KERN & Sohn cannot be held liable, if the suspended balance is modified or used improperly and if damage is resulting from such use.

- Inspect and service suspended balance, crane and load suspension devices regularly (see chap. 8.3).
- Log the test result and keep it in the logbook.

2.2 Organizational measures

- Only trained and instructed staff may operate the balance.
- Make sure that the operating instructions are kept nearby the operation site of the suspended balance.
- Assembly, commissioning and maintenance should only be carried out by trained specialists.
- Weight-bearing components must not be replaced

2.3 Environmental conditions

- Never operate suspended balance in spaces exposed to explosion hazards. The serial version is not explosion protected.
- Operate the suspended balance only under environmental conditions as specified in these operating instructions (especially in chapter 1 „Technical data“).
- Do not expose the suspended balance to strong humidity. Non-permitted condensation (condensation of air humidity on the appliance) may occur if a cold appliance is taken to a considerably warmer environment. In this case, acclimatize the disconnected appliance for ca. 2 hours at room temperature.
- Do not use suspended balance in environments exposed to corrosion hazards.
- Protect the suspended balance against high humidity, vapours and dust.
- Major display deviations (incorrect weighing results) may be experienced should electromagnetic fields (e.g. due to mobile phones or radio equipment), static electricity accumulations or instable power supply occur. Change location or remove source of interference.

2.4 Pay attention to the instructions in the Operation Manual



- ⇒ Carefully read this operation manual before setup and commissioning, even if you are already familiar with KERN balances.
- ⇒ All language versions contain a non-binding translation. The original German is binding.

2.5 Proper use

The balance you purchased is intended to determine the weighing value of material to be weighed. It is intended to be used as a “non-automatic” balance, i.e. the material to be weighed is suspended on the load receptor only vertically, manually, carefully and without jerks. As soon as a stable weighing value is reached the weighing value can be read.

- Use the suspended balance only for lifting and weighing of freely movable loads.
- Danger of injury due to improper use. Not allowed are e.g.:
 - Exceeding the allowed nominal load of crane, suspended balance or any type of load attachment devices
 - Conveying persons,
 - Pulling loads over an inclined surface,
 - Tearing-off, pulling or towing loads.
- Modifications or reconstructions of the suspended balance or of the crane are not allowed.

2.6 Improper Use

Do not use balance for dynamic weighing. In the event that small quantities are removed or added to the material to be weighed, incorrect weighing results can be displayed due to the “stability compensation“. (Example: Slowly draining fluids from a container suspended on the balance.) Do not leave permanent load suspended on the balance. This may damage the measuring system as well as safety-relevant parts.

- ⇒ Make sure that never persons or objects are under the load which could be injured or damaged!
- ⇒ The balance is not suitable for weighing persons!
- ⇒ The balance does not correspond to the law of medical products (MPG).

The balance may only be used according to the described conditions. Other areas of use must be released by KERN in writing.

2.7 Warranty

Warranty claims shall be voided in case

- Our conditions in the operation manual are ignored
- The appliance is used outside the described uses
- The appliance is modified or opened
- Mechanical damage and damage caused by media, liquids,
- Natural wear and tear
- The appliance is improperly set up or incorrectly electrically connected
- The measuring system is overloaded

2.8 Safety-conscious working

- Do not stand under swinging loads, see chap. 5.1.
- Position the crane in a way that the load is lifted vertically.
- When working with the crane and suspended balance wear personal safety equipment (helmet, safety shoes etc.).

2.9 Monitoring of Test Resources

In the framework of quality assurance the measuring-related properties of the balance and, if applicable, the testing weight, must be checked regularly. The responsible user must define a suitable interval as well as type and scope of this test. Information is available on KERN's home page (www.kern-sohn.com) with regard to the monitoring of balance test substances and the test weights required for this. In KERN's accredited DKD calibration laboratory test weights and balances may be calibrated (return to the national standard) fast and at moderate cost.

2.10 Testing upon acceptance

Inspect packaging immediately upon receipt and inspect device when unpacking, see chap. 4.1. in the event of any evident damage.

2.11 Initial Commissioning

In order to obtain exact results with the electronic balances, your balance must have reached the operating temperature (see warming up time chap. 1).

During this warming up time the balance must be connected to the power supply (mains, accumulator or battery).

The accuracy of the balance depends on the local acceleration of gravity.

Strictly observe hints in chapter Adjustment.

For checking original dimensions, s. chap. 4.3

2.12 Shutdown and storage

- Remove suspended balance from crane and remove all attachment devices from the suspended balance.
- Do not store suspended balance outdoors.

3. The suspended balance at a glance

3.1 Overview



- 1 Carbine with safety fastening
- 2 Display
- 3 Keyboard
- 4 Hooks

Models HCB \geq 500 kg



- 1 Anchor eyelet
- 2 Display
- 3 Keyboard



Attachment devices are not included in scope of delivery with models \geq 500 kg.

Standardised attachment devices are to be used to attach loads.

Models HCN

Front view

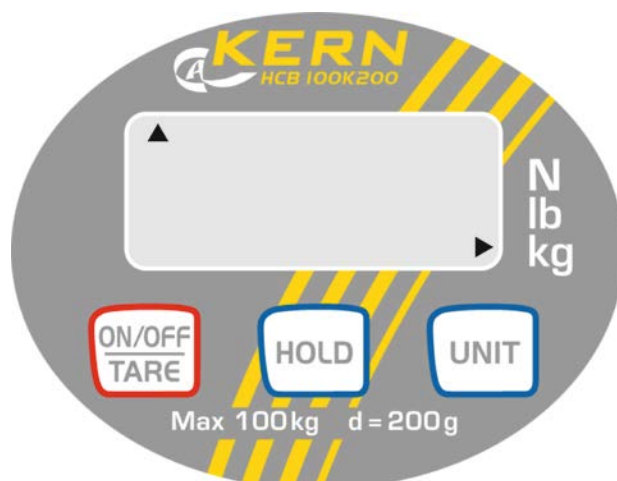


Backview



- 1 Carbine with safety fastening
- 2 Display
- 3 Keyboard
- 4 Hooks
- 5 Second display
- 6 Battery compartment




3.2 Overview visual displays and keyboard



Displays:

▶ kg	The current measuring unit is kilogram	
▶ lb	The current measuring unit is pound	
▶ N	The current measuring unit is Newton	
▲	Indicates the weight value depending on the active setting H1-H6 (see chap. 5.7).	
	H1-H4:	Data-Hold function
	H5	Animal weighing function
	H6	Peak value function
LO	Capacity of batteries exhausted	
E	Overload	

Keyboard:

Key	Description	Description of function
	ON/OFF button	<ul style="list-style-type: none"> • Switch on balance • Switch off balance (hold button) • Taring • Scroll forward in menu
	UNIT -button	Switch over weighing unit (kg→lb→N)
	HOLD button	<ul style="list-style-type: none"> • Set weight display • Display average value for animal weighing • Confirm menu setting

3.3 Label



- ⇒ Do not stand or go under suspended loads.
- ⇒ Do not use on building site.
- ⇒ Keep an eye on suspended loads.




- ⇒ Do not exceed nominal rated load of balance.

(example)





- ⇒ The product conforms to the requirements of the German Equipment and Product Safety Act.

4. Commissioning

	+ Always observe chapter 2 „General Safety Instructions“!
---	---

4.1 Unpacking

 SAFETY INSTRUCTIONS for protection against break	Once delivered and unpacked, suspended balance cannot be returned.
	The suspended balance is sealed by KERN. ⇒ Carbine and hook are sealed. ⇒ Removal from packaging is also sealed. + Broken seal obliges to purchase.  Fig.: Seal
	Thanks for your comprehension. Your KERN Quality assurance team

4.2 Scope of delivery

Remove balance and accessories from packaging, remove packaging material. Verify that there has been no damage and that all packing items are present.

- Suspended balance, see chap. 3.0
- Carbine, only models ≤ 200 kg
- Hook, only models ≤ 200 kg
- Batteries (models HCB: 3 x 1.5 V AA, models HCN: 2 x 1.5V AA)
- Operating instructions / logbook

4.3 Checking the original dimensions

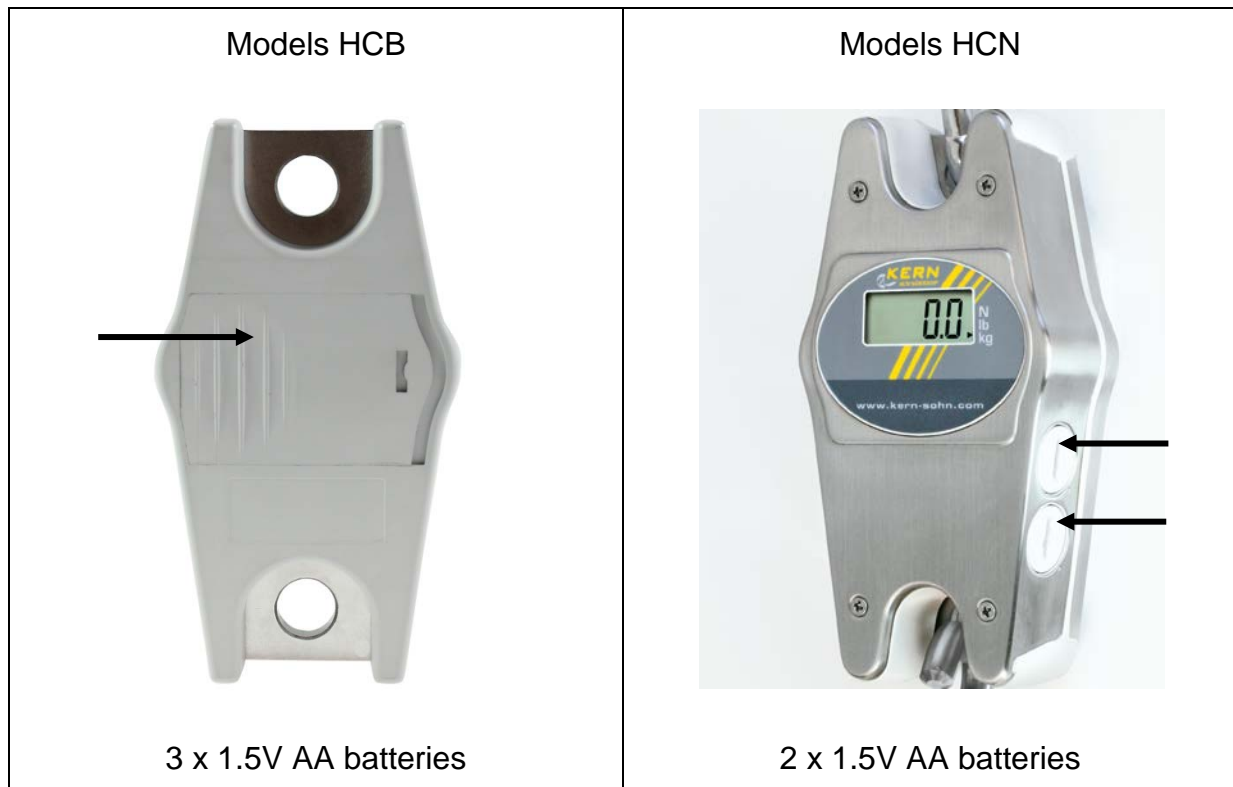
- Enter the original dimensions shown on the production data sheet in the grey boxes of checklist chap. 8.3.
- Check original dimension of suspended balance; for implementation see chap. 8.3 „Regular Maintenance“
- Enter all data (date, tester, results) in the first line under „Inspection before first use“ in the checklist (see chapter 8.3)



CAUTION

If the dimensions of your first safety inspection do not match those of KERN, the balance must not be put into operation. In this case please contact a service partner authorised by Messrs. KERN.

4.4 Battery operation



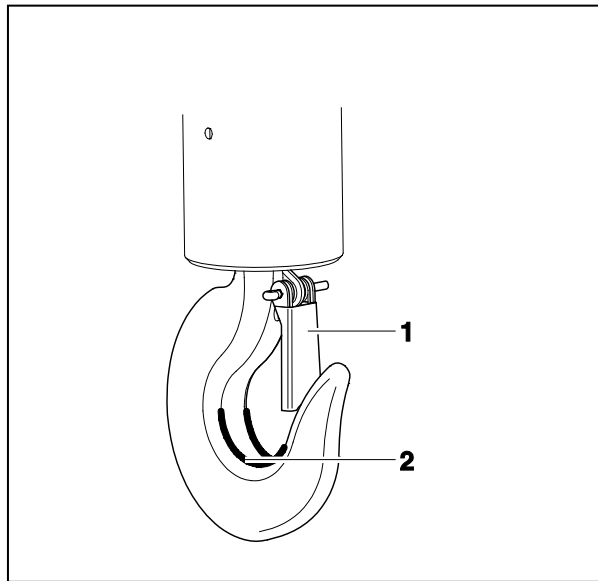
If the batteries are empty, in the balance display appears “LO”. Press **ON/OFF**-key and replace the batteries.

Open battery compartment, replace batteries and close battery compartment again.

In order to save the battery, the balance switches automatically off after 4 minutes without weighing. This auto-off function can be deactivated in the menu, see chap. 6.

When the suspended balance is out of operation for a longer period, remove the batteries.

4.5 Suspending the balance



Condition

The crane needs a safety bracket (1) that the unloaded suspended balance cannot fall down.





If the safety bracket is missing or damaged, please contact the crane manufacturer in order to receive a hook with this safety equipment.

⇒ Attach the suspended balance on the lower hook of a crane and close the safety bracket.

The crane scale's upper eyelet should rest in the saddle (2).

5. Operation

5.1 Safety instructions

	 <p>Risk of injury due to falling loads!</p> <p>DANGER</p>
  <p>(example)</p>	<ul style="list-style-type: none"> ⇒ Take great care when operating the crane and follow the general rules for crane operation. ⇒ Check all parts (hook, carabines, rings, rope slings, cables, chains etc.) for excessive wear or damage ⇒ If faults can be seen on the safety bracket of the crane hook or if it is missing completely, the scales must not be used. ⇒ Work only with appropriate speed ⇒ Always avoid vibrations and horizontal forces. Avoid any kind of shock, torsion and oscillating (e.g. caused by inclined suspending) ⇒ Do not use the suspended balance for conveying loads. ⇒ Do not stand or go under suspended loads. ⇒ Do not use on building site. ⇒ Keep an eye on suspended loads. ⇒ Do not exceed nominal rated load of crane, suspended balance or any kind of attachment device on the suspended balance.

5.2 Loading the suspended balance

For good weighing results observe the following, illustrations see next page:

- ⇒ Only use load attachment devices which guarantee a one-spot suspension and where the scales can be suspended freely.
- ⇒ Do not use too large load attachment devices which do not guarantee any one-spot suspension.
- ⇒ Do not use multiple suspensions.
- ⇒ Do not pull or push the load or the loaded balance.
- ⇒ Do not pull the hook horizontally.

Loading the balance

1. Position the hook of the suspended balance over the load.
2. Move downwards the suspended balance until the load can be suspended on the hook of the balance. Reduce the speed when the respective height is going to be reached.
3. Suspend load on the attachment device. Ensure that all safety-relevant devices are functional (e.g. the safety latch is closed). If the load is fixed by slings, ensure that the slings rest completely on the saddle of the balance hook.
4. Lift-off the load slowly.

When the load is fixed by slings, ensure that the load is well balanced on both sides and that the slings are correctly positioned

- + Always use the correct load attachment device, e.g. HCB 100K200



Only use attachment devices which guarantee a one-point suspension and where the scales can be suspended freely.



Do not use too large attachment devices which cannot guarantee a one-point suspension.



Do not push or pull



Do not pull the hook horizontally



Do not use multiple suspensions

5.3 Turn on/off

Start-up

- ⇒ Press the **ON/OFF** key. The display lights up and the balance carries out a selftest. The selftest is completed when the weight value 0 appears on the display.

Switching Off

- ⇒ Press the **ON/OFF** key for a long time.

5.4 Taring

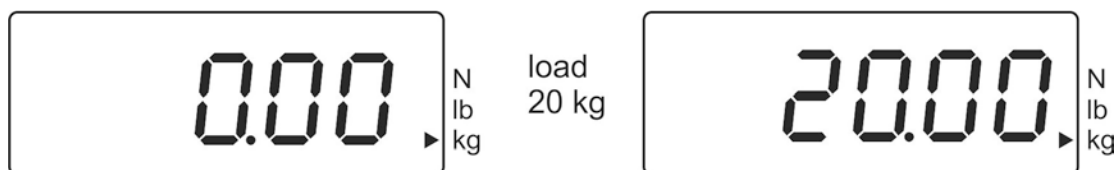
- ⇒ Suspend preload.
Press the **TARE** button, the zero display disappears. The weight of the container is now internally saved.



- ⇒ Weigh the material, the net weight will be indicated.
- ⇒ After removing the preload weight appears as negative display.
- ⇒ To delete the tare value, remove load from the suspended balance and press the **TARE** button.

5.5 Weighing

- ⇒ Load the suspended balance.
The weight value will be displayed at once.

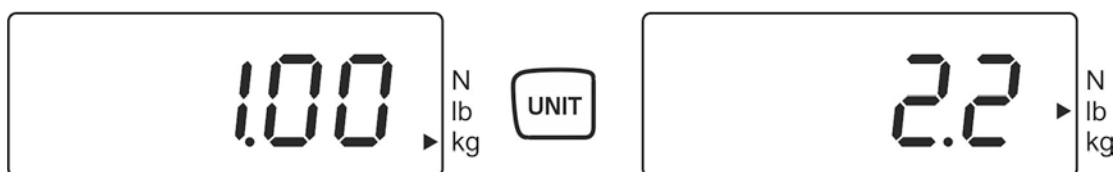


Overload warning

Overloading exceeding the stated maximum load (max) of the balance, minus a possibly existing tare load, must be strictly avoided. This could cause damage to the balance.

Exceeding the maximum load is indicated by the display „E“. Unload balance or reduce preload.

5.6 Switch-over weighing unit



The next measuring unit will be displayed **kg**→**lb**→**N** after each press of the **UNIT** button. The ► indicator shows the active unit.

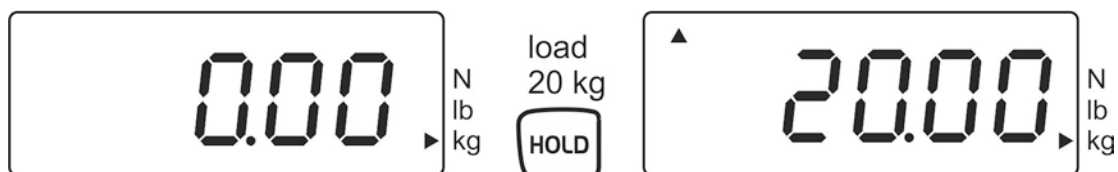
5.7 Functions

With help of the **Hold**-key the following functions can be activated:

Adjustment	Function	
H1	Data-Hold function 1 Weighing value frozen for 5 sec. after pressing the Hold -key	+ see chap. 5.7.1
H2	Data-Hold function 2 The weighing value will be frozen after pressing the Hold -key until another key is actuated	
H3	Data-Hold function 3 The weighing value is automatically frozen for 5 sec.	
H4	Data-Hold function 4 The weighing value is automatically frozen after reaching a stable value until a key will be actuated	
H5	Animal weighing function	+ see chap. 5.7.2
H6	Peak value function	+ see chap. 5.7.3

5.7.1 Data-Hold function

- ⇒ Switch on the balance, keep the **HOLD**-key pressed until the current setting „Hx“ (H1 – H6) appears.
- ⇒ Press **ON/OFF** button repeatedly until the desired setting „H1-H4“ is displayed.
- ⇒ Confirm setting with the **HOLD** button.
- ⇒ Suspend the material to be weighed
- ⇒ The weight value is fixed and displayed depending on the setting (H1 – H4) (see chap. 5.7), represented by the [▲] in the upper left.



5.7.2 Animal weighing function

This function is suitable for busy weighing procedures. The result is a mean value formed by 16 weighing values which is found out within 3 seconds.

- ⇒ Switch on the balance, keep the **HOLD**-key pressed until the current setting „Hx“ (H1 – H6) appears.
- ⇒ Press **ON/OFF** button repeatedly until the setting „H5“ is displayed.
- ⇒ Confirm setting with the **HOLD** button.
- ⇒ Suspend the material to be weighed
- ⇒ Press the **HOLD**-key, the display counts reverse from 3 -1.
The calculated mean value is indicated, symbolised by the [▲] top left.
- ⇒ Before further measurements press first the **ON/OFF/TARE**-key.

5.7.3 Peak value function

This function displays the highest load value (peak value) of a weighing.
Measuring frequency: 200ms

Attention:



Never exceed the maximum permitted load of the peak value on the balance (!!Danger of breaking!!).

- ⇒ Switch on the balance, keep the **HOLD**-key pressed until the current setting „Hx“ (H1 – H6) appears.
- ⇒ Press **ON/OFF** button repeatedly until the setting „**H6**“ is displayed.
- ⇒ Use the **HOLD**-key to confirm your selection
- ⇒ Suspend the material to be weighed
- ⇒ The peak value appears for a short time, symbolised by the [▲] top left. The balance returns automatically to zero and is ready for further measurement.

6. Menu

- ⇒ When the balance is switched off, press the **HOLD**-key and keep it pressed
- ⇒ Do not release the **HOLD**-key. Press also the **ON/OFF/TARE**-key and keep it pressed
- ⇒ Keep the **ON/OFF/TARE**-key pressed, however release the **HOLD**-key
- ⇒ Press **HOLD**-key anew
- ⇒ Keep both keys pressed until in the display “tr” appears
- ⇒ Release both keys. The balance is situated in the menu.
- ⇒ Using the **ON/OFF/TARE** button you can select between the following functions:
 - **tr** (Zero tracking) : **ON/OFF**
 - **AF** (Auto off): **ON/OFF**
 - **rST** (reset to factory settings): **YES / NO**
- ⇒ Press the **HOLD** button to confirm the selected function
- ⇒ In the display appears the current setting „**ON**“ or „**OFF**“ resp. „**YES**“ or „**NO**“. You can select between „**ON**“ or „**OFF**“ and/or „**YES**“ or „**NO**“ with the **ON/OFF/TARE** button. Confirm your selection with the **HOLD**-key. After a short period the balance returns automatically to weighing mode.

7. Adjustment

As the acceleration value due to gravity is not the same at every location on earth, each balance must be coordinated - in compliance with the underlying physical weighing principle - to the existing acceleration due to gravity at its place of location (only if the balance has not already been adjusted to the location in the factory). This adjustment process must be carried out for the first commissioning, after each change of location as well as in case of fluctuating environment temperature. To receive accurate measuring values it is also recommended to adjust the balance periodically in weighing operation.

Observe stable environmental conditions. A warming up time of approx. 1 minute is recommended for stabilization.

Prepare adjustment weight, for details see chap. 1 „Technical data“.

⇒ Switch-off balance and attach a carrying help if necessary.



⇒ Switching on balance with attached support aid.

Press **Unit** button and hold down (approx. 3 secs) until „CAL“ is displayed.



⇒ Wait until the weight value of the required adjustment weight (e.g. 10 kg, see chap. 1) is displayed.




⇒ Attach adjustment weight, a short time later „F“ will appear.




⇒ After adjustment the balance automatically returns to weighing mode.

An adjusting error or incorrect adjusting weight will be indicated by the error message; repeat adjustment procedure

8. Cleaning, Maintenance and Disposal

 <p>Danger</p>	<p>Risk of injury and risk of material damage! The suspended balance is part of the lifting gear! For a safe operation please observe the following:</p> <ul style="list-style-type: none">⇒ Have carried out a regular maintenance by trained specialized staff⇒ Carry out regular maintenance and servicing, see chap. 8.3.⇒ Have the parts exchanged only by trained specialized staff.⇒ If there arose discrepancies with the safety checklist, the balance must not more be put into operation.⇒ Do not repair the suspended balance yourself. Repair may only be carried out by service partners authorized by Messrs. KERN.
--	---

8.1 Cleaning and Disposal

 <p>CAUTION</p>	<p>Damage to suspended balance!</p> <ul style="list-style-type: none">⇒ Do not use industrial solutions or chemicals (e.g. acid → embrittlement).
--	--

- ⇒ Clean the keyboard and the display with a soft cloth soaked in mild window cleaning agent.
- ⇒ Disposal of packaging and appliance must be carried out by operator according to valid national or regional law of the location where the appliance is used.

8.2 Regular maintenance and care

- ▲ The regular 3-month maintenance may only be carried out by an expert with competent knowledge of working with suspended balances. Thereby the national regulations for prevention of accidents as well as the working, operation and safety regulations of the owner-operator.
- ▲ To check the dimensions only use suitable test devices.
- ▲ The regular 12-month maintenance must only be carried out by trained specialized staff (KERN customer service).
- ▲ The results of the maintenance must be written down in the checklist (chap. 8.3).
- ▲ The additional results of the extended maintenance have to be entered in the checklist (chapter 9.1).
- ▲ The load suspension device is to be cleaned before inspection, see chap. 8.1.
- ▲ Replaced parts (attachment device) must also be recorded (chap. 9.2)

Regular maintenance:

Prior to each usage	<ul style="list-style-type: none"> • Check for fault-free operation of the attachment devices
Initial start-up, every 3 months or definitely after 12 500 weighing processes	<ul style="list-style-type: none"> • Check all dimensions, see checklist chap. 8.3 • Check the attachment device for wear and tear, such as e.g. plastic deformation, mechanical damage (unevenness), notches, striation, cracks, corrosion, thread damage and torsions. • Check safety fastening on the attachment device for faults and fault-free operation. • Remove balance from use immediately if a reading exceeds the permitted deviation from the original reading (see checklist, chap. 8.3) or any other fault is identified. • All repairs and replacement parts (e.g. hook) must be documented by the service partner (see list, chap. 9.2).
Every 12 months or in any case after 50 000 weighings	<ul style="list-style-type: none"> • If the enhanced maintenance has to be carried out by trained staff (KERN customer service). At this general revision all load carrying parts must be checked for gaps with magnetic powder
Every 10 years or anyway after 500,000 weighings	<ul style="list-style-type: none"> • Replace the crane scales entirely

Note

During the revision watch out for wear and tear according to the following drawings (chap. 8.3).

Rejection criteria: Load suspension devices may no longer be used when e.g.

- + Deviations are identified during the inspections specified for servicing.
- + The type or load rating plate is missing.
- + Load suspension devices known to have been overloaded or subject to other harmful influences may no longer be used and/or may be re-used only after inspection.

8.3 Checklist „regular maintenance“, (see chapter 8.2)

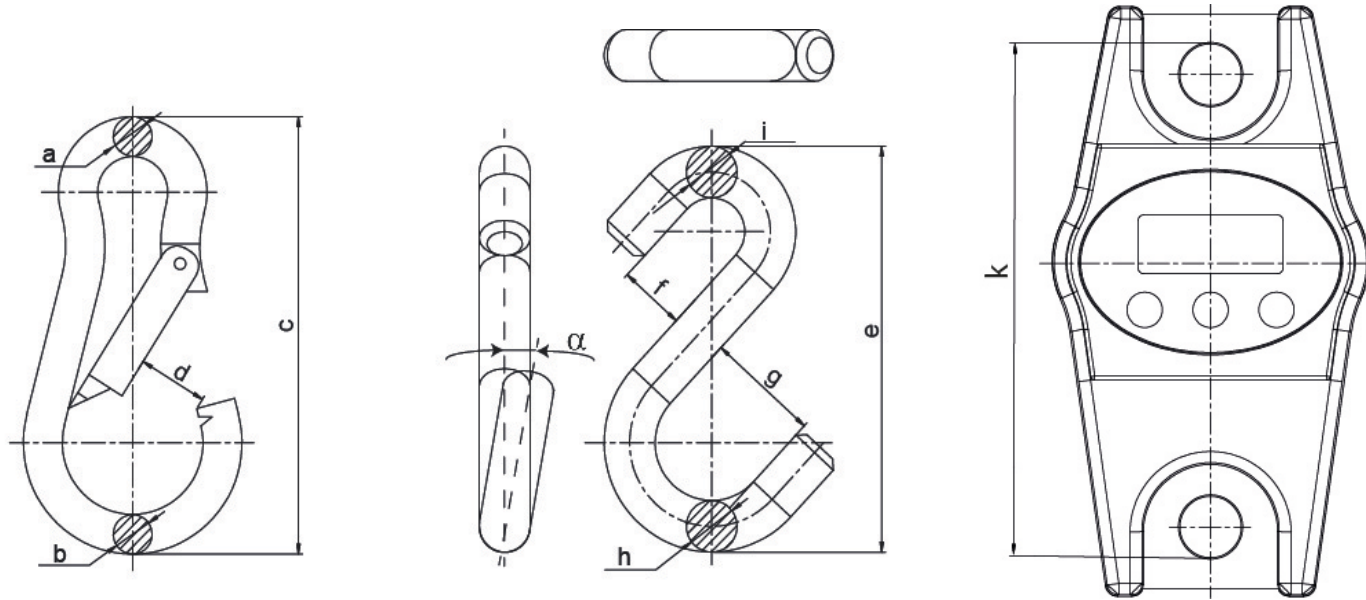
Original dimensions suspended balance*, serial no.:													Capacity	
Carbine					Hooks							Anchor eyelet spacing		
a (mm)	b (mm)	c (mm)	d (mm)	Wear and tear	e (mm)	f (mm)	g (mm)	h (mm)	i (mm)	Wear and tear	Angle α (°)	k (mm)		
Date					Tester									

*These data can be found in the document attached to the balance. Please keep this document always available.

	Carbine						Hooks							Anchor eyelets		
	a	b	c	d	Wear (see cross-hatched areas)	Safety fastening	e	f	g	h	i	α	Wear (see cross-hatched areas)	Distance k	Date	Tester
Max. admitted variation	5 %	5 %	1 %	5 %	No deformation or cracks	Perfect working order	1%	5 %	5 %	5 %	5 %	10 °	No deformation or cracks	1%		
Revision prior to first use																
3 months/12,500 x																
6 months/25,000 x																
9 months/37,500 x																
12 months/50,000 x																
15 months/62,500 x																
18 months/75,000 x																
21 months/87,500 x																

	Carbine						Hooks							Anchor eyelets		
	a	b	c	d	Wear (see cross-hatched areas)	Safety fastening	e	f	g	h	i	α	Wear (see cross-hatched areas)	Distance k	Date	Tester
Max. admitted variation	5 %	5 %	1 %	5 %	No deformation or cracks	Perfect working order	1%	5 %	5 %	5 %	5 %	10 °	No deformation or cracks	1%		
Revision prior to first use																
24 months/100,000 x																
27 months/112,500 x																
30 months/125,000 x																
33 months/137,500 x																
36 months/150,000 x																
39 months/162,500 x																
21 months/87,500 x																
42 months/175,000 x																
45 months/187,500 x																
48 months/200 000																
51 months/212,500 x																
54 months/225,000 x																
57 months/237,500 x																
60 months/250000x	➔ All load carrying parts have to be exchanged by a service partner authorised by KERN.															

bold letters = this maintenance work has to be carried out by a service partner authorized by KERN.



9. Enclosure

9.1 Checklist „Enhanced maintenance“ (General revision)

The enhanced maintenance has to be carried out by a service partner authorized by KERN.

Suspended Balance		Model Serial no.					
Interval	Magnetic powder test for cracks	Hooks	Carbine	Anchor eyelets	Date	Name	Signature
12 months/50,000 x							
24 months/100,000 x							
36 months/150,000 x							
48 months/200,000 x							
60 months/250,000 x							
72 months/300,000 x							
84 months/350,000 x							
96 months/400,000 x							
108 months/450 000 x							
120 months/500 000x	➔ Replace suspended balance completely						

9.2 List „spare parts and repair of safety-relevant parts“

Attachment device (hook, carbine) for suspended balance	Model Serial no.			
Part	Action	Date	Name	Signature

10. Declaration of -Conformity

KERN[®] **KERN & Sohn GmbH**
D-72322 Balingen-Frommern
Postfach 4052
E-Mail: info@kern-sohn.de

Tel: 0049-[0]7433- 9933-0
Fax: 0049-[0]7433-9933-149
Internet: www.kern-sohn.de

Konformitätserklärung

EG-Konformitätserklärung
EC- Déclaration de conformité
EC-Dichiarazione di conformità
EC- Declaração de conformidade
EC-Deklaracja zgodności

EC-Declaration of -Conformity
EC-Declaración de Conformidad
EC-Conformiteitverklaring
EC- Prohlášení o shode
EC-Заявление о соответствии

D	Konformitäts- erklärung	Wir erklären hiermit, dass das Produkt, auf das sich diese Erklärung bezieht, mit den nachstehenden Normen übereinstimmt.
GB	Declaration of conformity	We hereby declare that the product to which this declaration refers conforms with the following standards.
CZ	Prohlášení o shode	Tímto prohlašujeme, že výrobek, kterého se toto prohlášení týká, je v souladu s níže uvedenými normami.
E	Declaración de conformidad	Manifestamos en la presente que el producto al que se refiere esta declaración está de acuerdo con las normas siguientes
F	Déclaration de conformité	Nous déclarons avec cela responsabilité que le produit, auquel se rapporte la présente déclaration, est conforme aux normes citées ci-après.
I	Dichiarazione di conformità	Dichiariamo con ciò che il prodotto al quale la presente dichiarazione si riferisce è conforme alle norme di seguito citate.
NL	Conformiteit- verklaring	Wij verklaren hiermede dat het product, waarop deze verklaring betrekking heeft, met de hierna vermelde normen overeenstemt.
P	Declaração de conformidade	Declaramos por meio da presente que o produto no qual se refere esta declaração, corresponde às normas seguintes.
PL	Deklaracja zgodności	Niniejszym oświadczamy, że produkt, którego niniejsze oświadczenie dotyczy, jest zgodny z poniższymi normami.
RUS	Заявление о соответствии	Мы заявляем, что продукт, к которому относится данная декларация, соответствует перечисленным ниже нормам.

Electronic Balance: KERN HCB/ HCN

EU Directive	Standards
2004/108/EC	EN 61326-1: 2006 EN 61326-2-1:2006
2006/95/EC	EN 61010-1:2010
2006/42/EC	EN 13155/A2:2009

Datum 10.07.2013
Date

Ort der Ausstellung 72336 Balingen
Place of issue

Signatur
Signature



Albert Sauter
KERN & Sohn GmbH
Geschäftsführer
Managing director

KERN & Sohn GmbH, Ziegelei 1, D-72336 Balingen, Tel. +49-[0]7433/9933-0
Fax +49-[0]7433/9933-149, E-Mail: info@kern-sohn.com, Internet: www.kern-sohn.com

HCB_HCN -BA-e-1543