

# 3.5/M-3.5/F PUSH-ON ADAPTER

SM3323

## SPECIFICATIONS

### ELECTRICAL

50 OHMS  
 VSWR 1.20:1 MAX @ 34 GHZ  
 FREQUENCY: 0-34 GHZ  
 VOLTAGE RATING: 335V RMS  
 DIELECTRIC WITHSTANDING  
 VOLTAGE: 1000V RMS

### MECHANICAL

500 CYCLES MIN

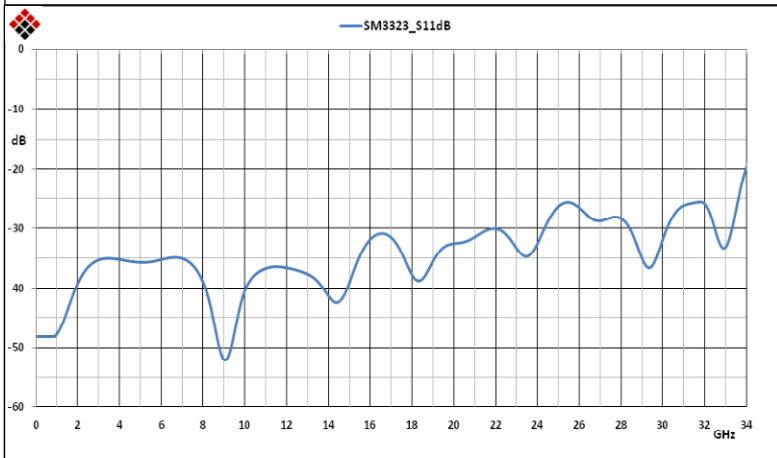
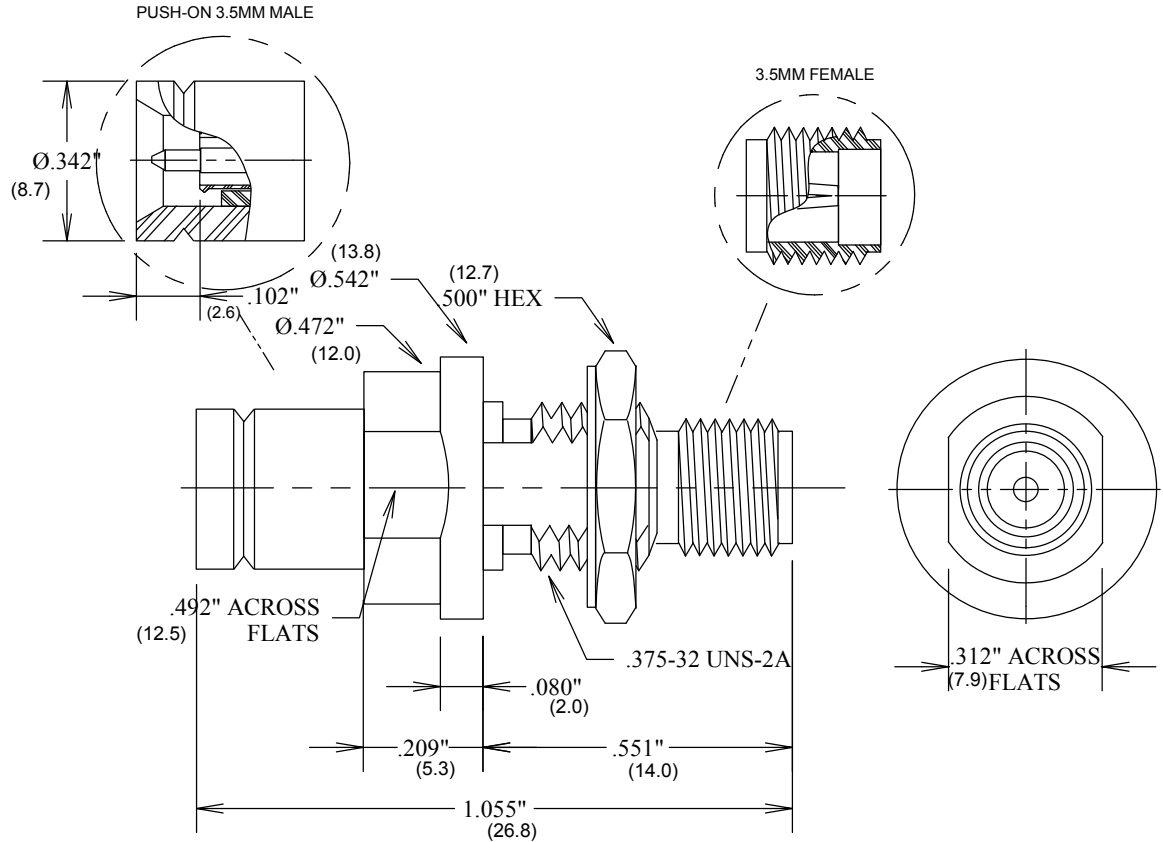
### ENVIRONMENTAL

-55°C TO +125°C

### MATERIALS

BODY: Au PLATED BeCu  
 CONTACTS Au PLATED BeCu MIL-G-45204  
 INSULATOR: TEFLON  
 INTERFACE: MIL-STD-348

ROHS COMPLIANT



ALL DIMENSIONS IN inches(MM) Typical

<b>FAIRVIEW MICROWAVE INC.</b>			
ALLEN, TX 75013 WWW.FAIRVIEWMICROWAVE.COM			
TITLE			
<b>3.5/M-3.5/F PUSH-ON ADAPTER</b>			
SIZE	CAGE CODE	DWG NO	REV
<b>A</b>	<b>3FKR5</b>	<b>SM3323</b>	<b>A</b>
SCALE		SHEET	