

TNC/F-BNC/F BULKHEAD 4GHZ ADAPTER

SM3549

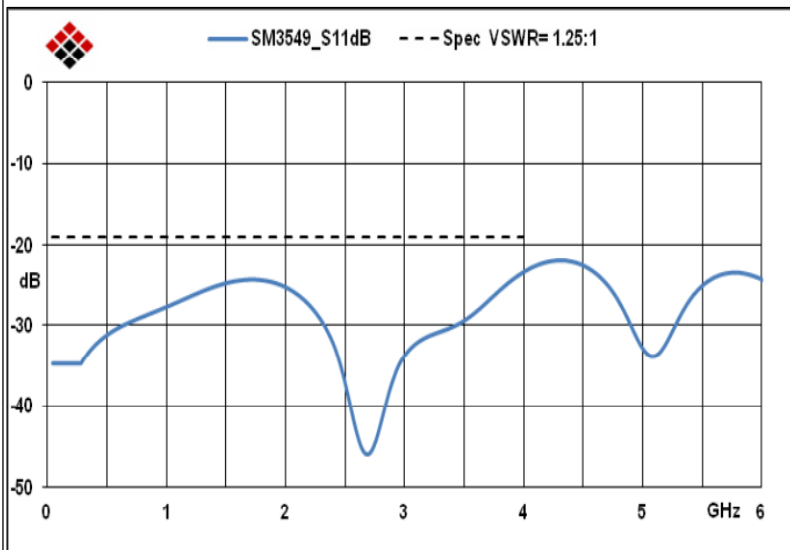
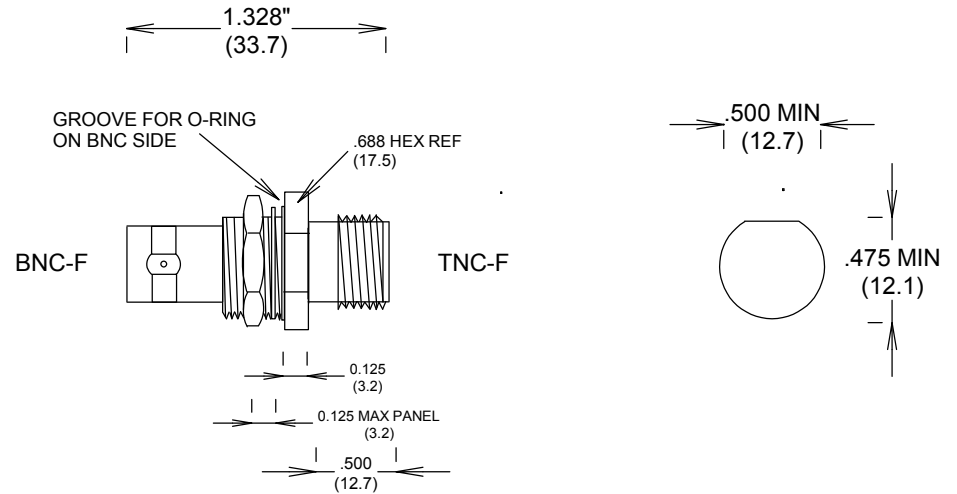
SPECIFICATIONS

ELECTRICAL

FREQUENCY: 0-4 GHZ
 IMPEDANCE: 50 OHMS
 VSWR: 1.25:1 MAX @ 8GHZ
 VRMS: 500 V SEA LEVEL

MECHANICAL

MATERIALS BODY TNC : PASSIVATED STAINLESS STEEL
 MATERIALS BODY BNC : NICKEL PLATED BRASS
 CONTACT PLATING: Au



ALL DIMENSIONS IN inches(MM) Typical

FAIRVIEW MICROWAVE INC.			
ALLEN, TX 75013 WWW.FAIRVIEWMICROWAVE.COM			
TITLE			
TNC/F-BNC/F BULKHEAD 4GHZ ADAPTER			
SIZE	CAGE CODE	DWG NO	REV
A	3FKR5	SM3549	B
SCALE			SHEET