

N-F - 7/16-F PANEL ADAPTER

SM4672

SPECIFICATIONS

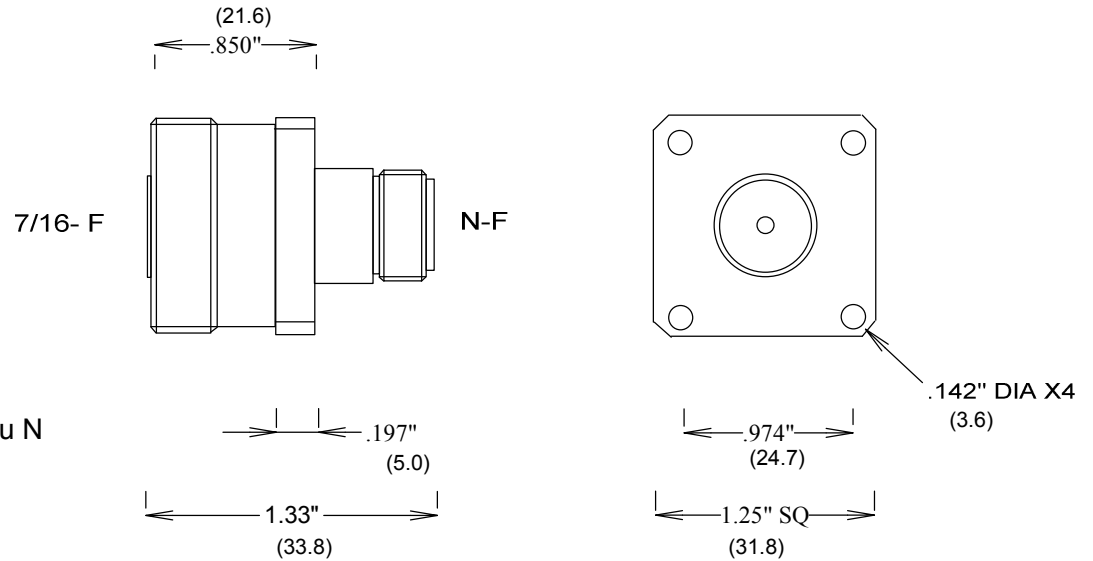
ELECTRICAL

FREQUENCY: 0-6 GHZ
 IMPEDANCE: 50 OHMS
 VSWR: 1.20:1 MAX

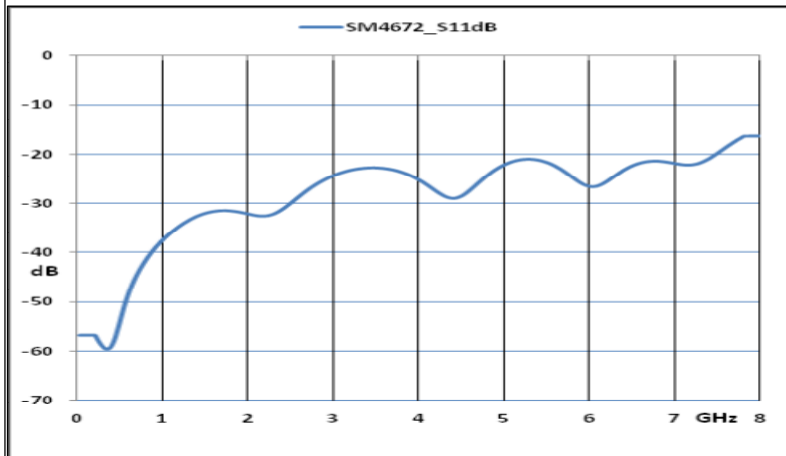
MECHANICAL

MATERIALS BODY: SILVER PLATED BRASS
 MATERIALS CONTACT : SPRING BRASS 7/16, BeCu N
 CONTACT PLATING: SI PLATING QQ-S-365
 INSULATOR: TEFLON
 DURABILITY: 500 CYCLES MIN
 INTERFACE: MIL-STD-348
 OPERATING TEMP: -55° TO +120° C

ROHS COMPLIANT



MEASUREMENTS BELOW ARE TYPICAL



ALL DIMENSIONS IN inches(MM) Typical

FAIRVIEW MICROWAVE INC.			
ALLEN, TX 75013 WWW.FAIRVIEWMICROWAVE.COM			
TITLE			
N-F - 7/16-F PANEL ADAPTER			
SIZE	CAGE CODE	DWG NO	REV
A	3FKR5	SM4672	A
SCALE		SHEET	