

# LOW PIM TERMINATION N/MALE 698-2700 MHZ 30 WATTS

ST27N301

## SPECIFICATIONS

### ELECTRICAL:

FREQUENCY: 698-2700 MHZ

VSWR: 1.1 TYP

1.2 MAX

POWER (AVG) 30 WATTS @ 25 DEG C

POWER DERATES -1.2%/°C ABOVE 55 C°

POWER PEAK: 5kW

IMPEDANCE: 50 OHMS

PIM: -165 dBc TYP;

<-160 dBc WITH 2 x 20W TONES @ 25°C

### MECHANICAL:

CONNECTOR FINISH: TRIMETAL PLATING

CONTACT PLATING: Au PER MIL-G-45204

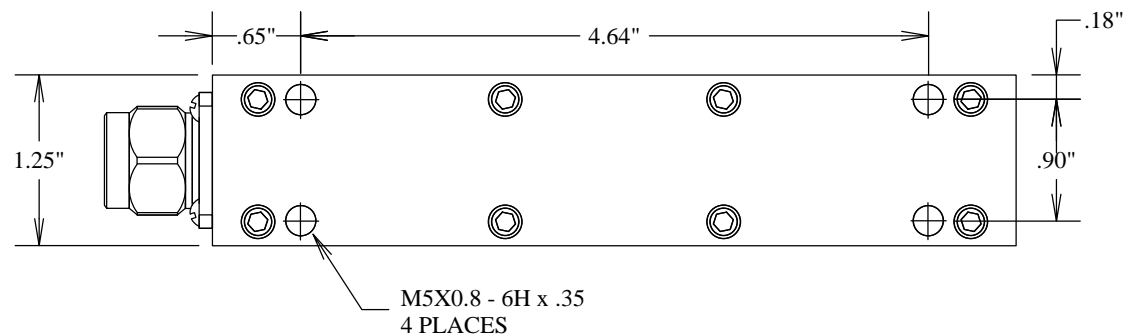
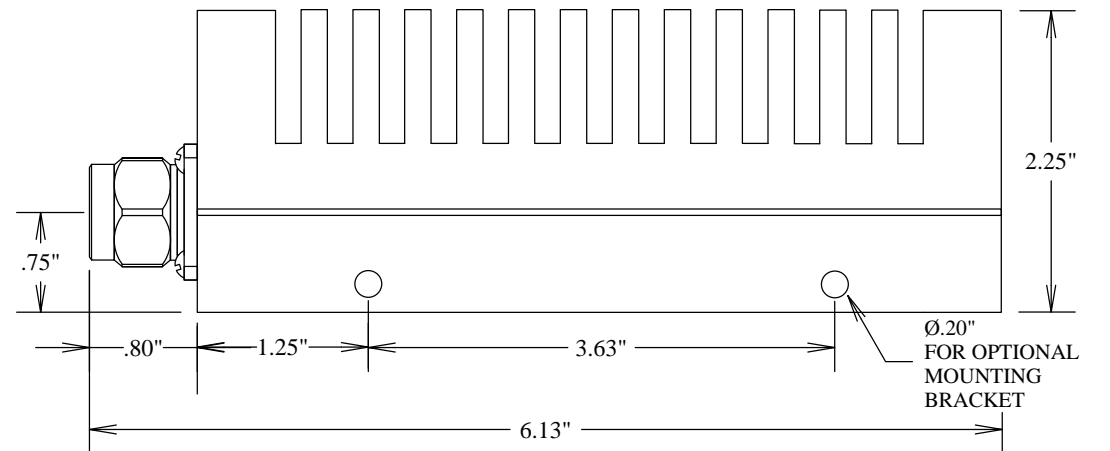
### ENVIRONMENTAL:

TEMP: -35° C TO +55° C

IP67

SURFACE TEMP: +90°C MAX

\*\*OPTIONAL MOUNTING BRACKET AVAILABLE



**FAIRVIEW MICROWAVE INC.**

ALLEN, TX 75013 WWW.FAIRVIEWMICROWAVE.COM

TITLE

**LOW PIM TERMINATION N/MALE  
698-2700 MHZ 30 WATTS**

SIZE

**A**

CAGE CODE

**3FKR5**

DWG NO

**ST27N301**

REV

--

SCALE

SHEET