

RF Load 50 Watts Medium Power To 4 GHz N Female

Electrical Specifications

Description	Min	Typ	Max	Units
Frequency Range	DC		4	GHz
Impedance		50		Ohms
VSWR			1.35:1	
Input Power (CW)			50	Watts



Mechanical Specifications

Size	
Length	0.96 in [24.38 mm]
Width	1.38 in [35.05 mm]
Height	0.85 in [21.59 mm]
Weight	0.20106 lbs [91.2 g]

Configuration	
Connector	N Female

Material Specifications

Description	Material	Plating
Connector 1 Contact	Brass	Nickel
Body	Copper	Nickel

Environmental Specifications

Temperature	
Operating Range	-40 to 70 deg C

Compliance Certifications (visit www.FairviewMicrowave.com for current document)

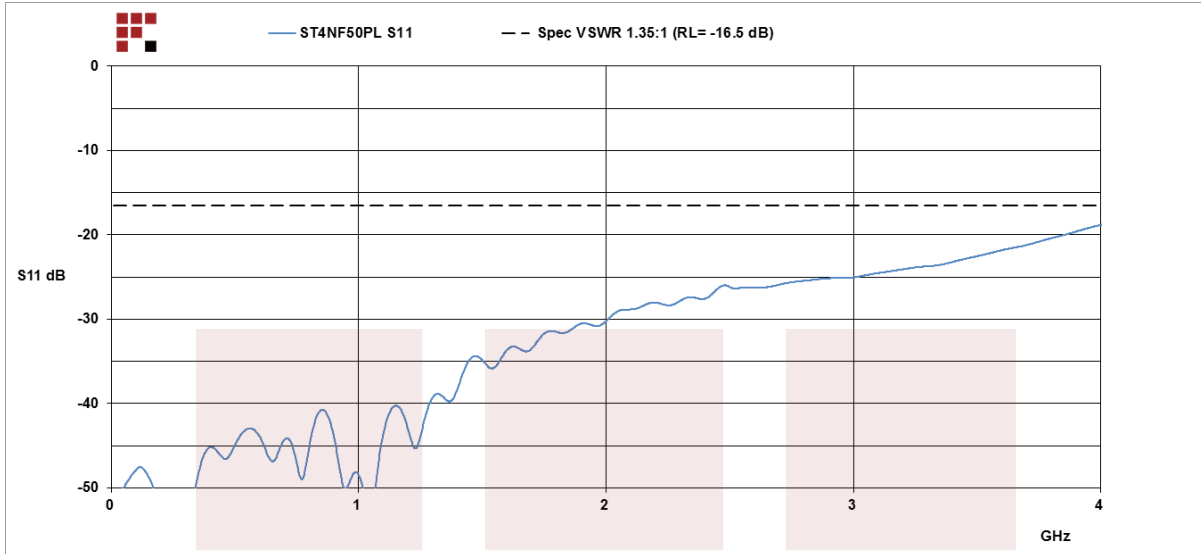
RoHS Compliant	Yes
REACH Compliant	12/17/2015

Plotted and Other Data

Notes:

Fairview Microwave
 1130 Junction Dr. #100
 Allen, TX 75013
 Tel: 1-800-715-4396 / (972) 649-6678
 Fax: (972) 649-6689
www.fairviewmicrowave.com
sales@fairviewmicrowave.com

Typical Performance Data

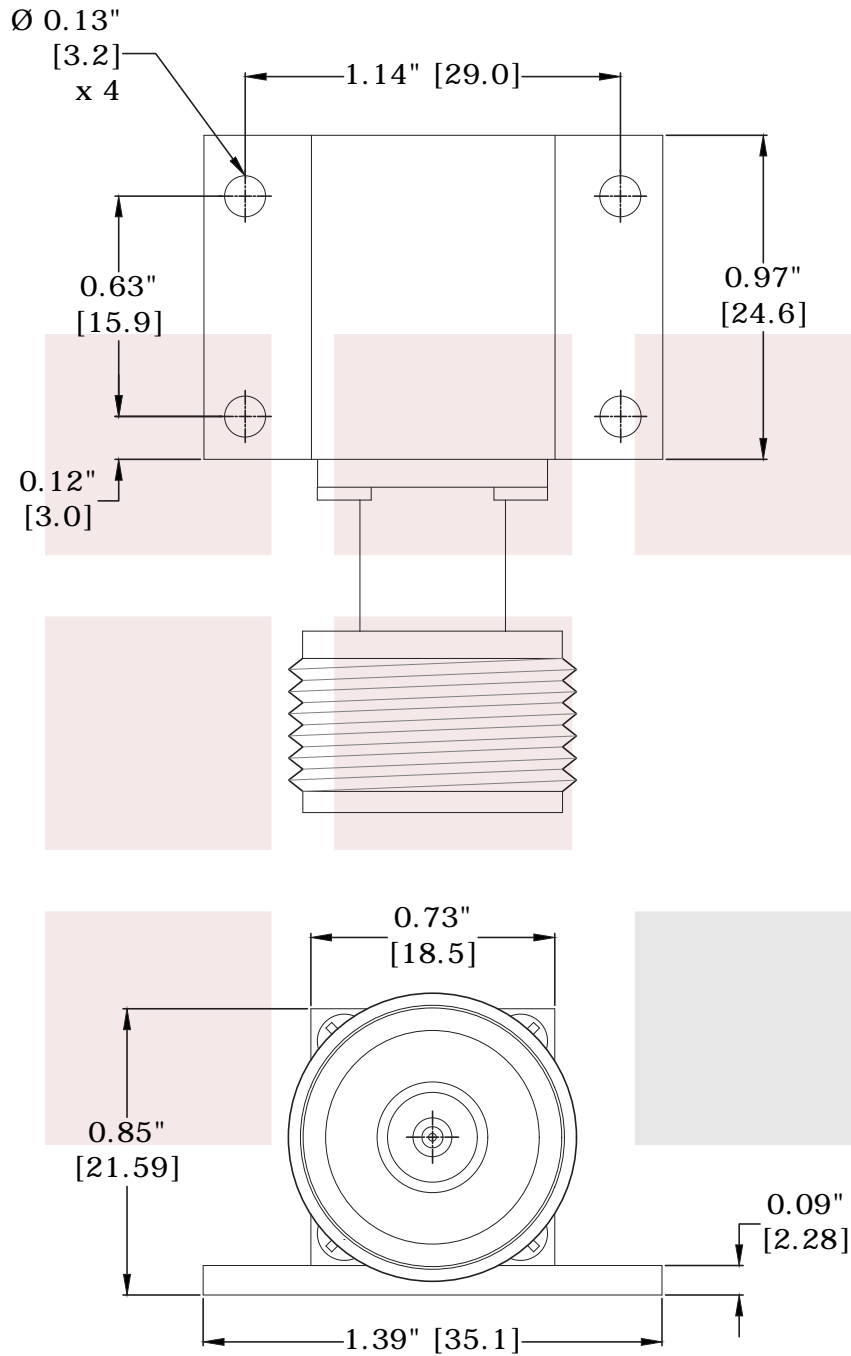


RF Load 50 Watts Medium Power To 4 GHz N Female from Fairview Microwave is in-stock and available to ship same-day. All of our RF/microwave products are available off-the-shelf from our ISO 9001:2008 certified facilities in Allen, Texas. Fairview Microwave is RF on-demand.

For additional information on this product, please click the following link: [RF Load 50 Watts Medium Power To 4 GHz N Female ST4NF50PL](#)

URL: <http://www.fairviewmicrowave.com/rf-load-50-watts-4-ghz-n-female-st4nf50pl-p.aspx>

The information contained in this document is accurate to the best of our knowledge and representative of the part described herein. It may be necessary to make modifications to the part and/or the documentation of the part, in order to implement improvements. Fairview Microwave reserves the right to make such changes as required. Unless otherwise stated, all specifications are nominal. Fairview Microwave does not make any representation or warranty regarding the suitability of the part described herein for any particular purpose, and Fairview Microwave does not assume any liability arising out of the use of any part or documentation.



FAIRVIEW MICROWAVE INC.
 ALLEN, TX 75013 WWW.FAIRVIEWMICROWAVE.COM

NOTES:
 1. UNLESS OTHERWISE SPECIFIED ALL DIMENSIONS ARE NOMINAL.
 2. ALL SPECIFICATIONS ARE SUBJECT TO CHANGE WITHOUT NOTICE AT ANY TIME.
 3. DIMENSIONS ARE IN INCHES [mm].

TITLE RF Load 50 Watts Medium Power To 4 GHz N Female	DWG NO ST4NF50PL		CAGE CODE 3FKR5		
	CAD FILE 020916	SHEET	SCALE N/A	SIZE A	5568