

**43 dB Gain High Power High Gain Amplifier at  
 25 Watt Psat Operating From 0.15 MHz to 230 MHz  
 with 48 dBm IP3 and SMA**

FMAM5028F is a 25W high gain coaxial power amplifier operating in the 0.15 to 230 MHz frequency range. The amplifier offers 25 Watts typical saturated power and 43 dB minimum small signal gain with  $\pm 1.5$  dB maximum gain flatness. The amplifier requires typically a +28V DC power supply. The connectorized SMA module is unconditionally stable and operates over the temperature range of 0°C and +50°C. The unit includes a Heatsink and Fan.



**Electrical Specifications** (TA = +25°C, DC Voltage = 28Volts , DC Current = 5,000mA)

Description	Min	Typ	Max	Unit
Frequency Range	0.15		230	MHz
Small Signal Gain	43			dB
Gain Flatness			$\pm 1.5$	dB
Input Power			+1	dBm
Psat		+44		dBm
P1dB	+41.8			dBm
Output 3rd Order Intercept Point		+48		dBm
Harmonics		-15		dBc
Spurious		-60		dBc
Input VSWR			2:1	
Operating DC Voltage		28		Volts
Operating DC Current			5,000	mA
Operating Temperature Range	0		+50	°C

**Features:**

- 0.15 MHz to 230 MHz Frequency Range
- Psat 25 Watts typ
- Small Signal Gain: 43 dB min
- Gain Flatness  $\pm 1.5$  dB max
- IP3 48 dBm typ
- 50 Ohms Input and Output Matched
- Unconditionally Stable
- Regulated Supply
- Heatsink and Fan

**Applications:**

- Military Radio
- Communication Systems
- High Gain Driver Power Amplifier
- High Gain Output Power Amplifier

**Mechanical Specifications**

<b>Size</b>	
Length	8.7 in [220.98 mm]
Width	5.2 in [132.08 mm]
Height	3.5 in [88.9 mm]
Weight	4 lbs [1.81 Kg]
Input Connector	SMA Female
Output Connector	SMA Female

**Environmental Specifications**

<b>Temperature</b>	
Operating Range	0 to +50 deg C
Humidity	95% Non-Condensing
Shock	Normal Truck Transport
Vibration	Normal Truck Transport
Altitude	10000 feet Above Sea Level

Fairview Microwave  
 1130 Junction Dr. #100  
 Allen, TX 75013  
 Tel: 1-800-715-4396 / (972) 649-6678  
 Fax: (972) 649-6689  
[www.fairviewmicrowave.com](http://www.fairviewmicrowave.com)  
[sales@fairviewmicrowave.com](mailto:sales@fairviewmicrowave.com)

**Compliance Certifications** (visit [www.FairviewMicrowave.com](http://www.FairviewMicrowave.com) for current document)

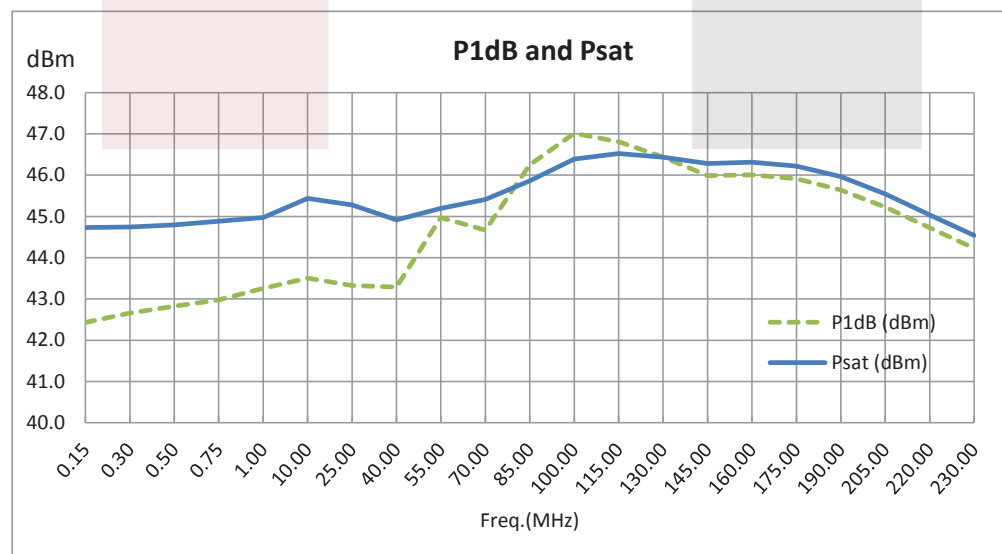
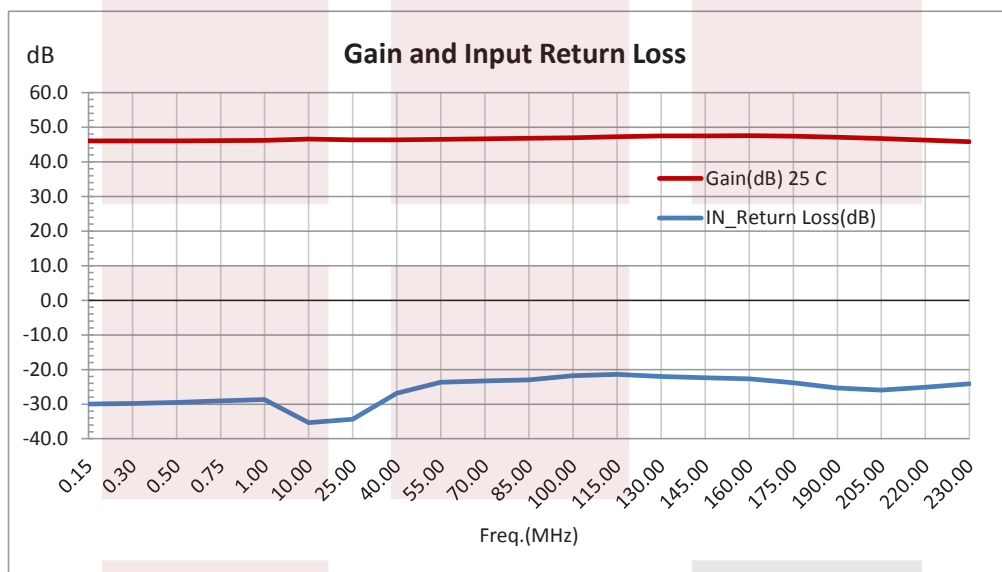
**Plotted and Other Data**

Notes:

- Values at 25 °C, sea level
- ESD Sensitive Material, Transport material in Approved ESD bags. Handle only in approved ESD Workstation.
- Heat Sink Required for Proper Operation, Unit is cooled by conduction to heat sink.



**Typical Performance Data**

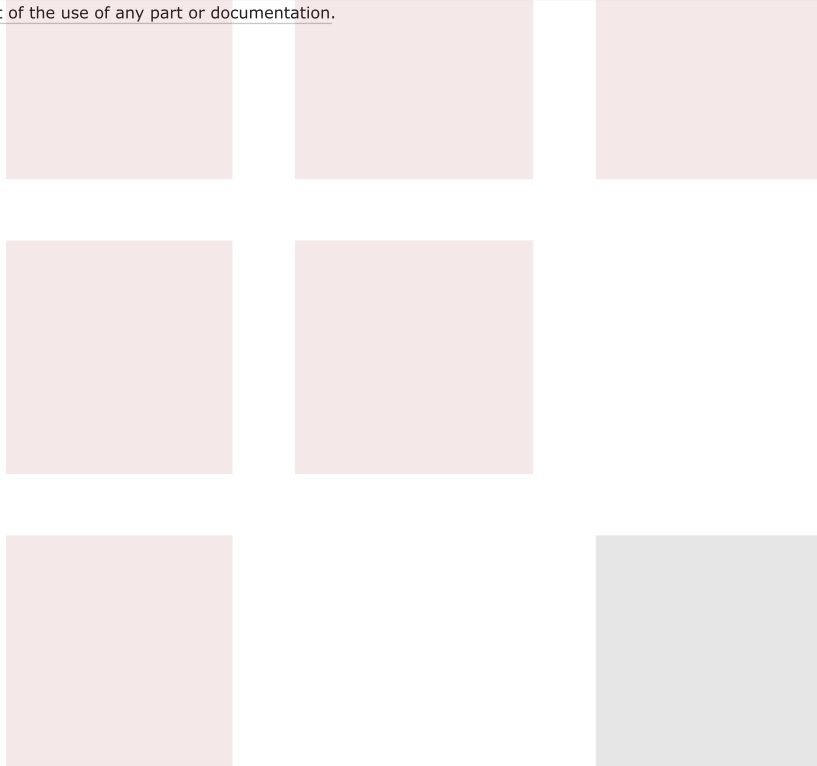


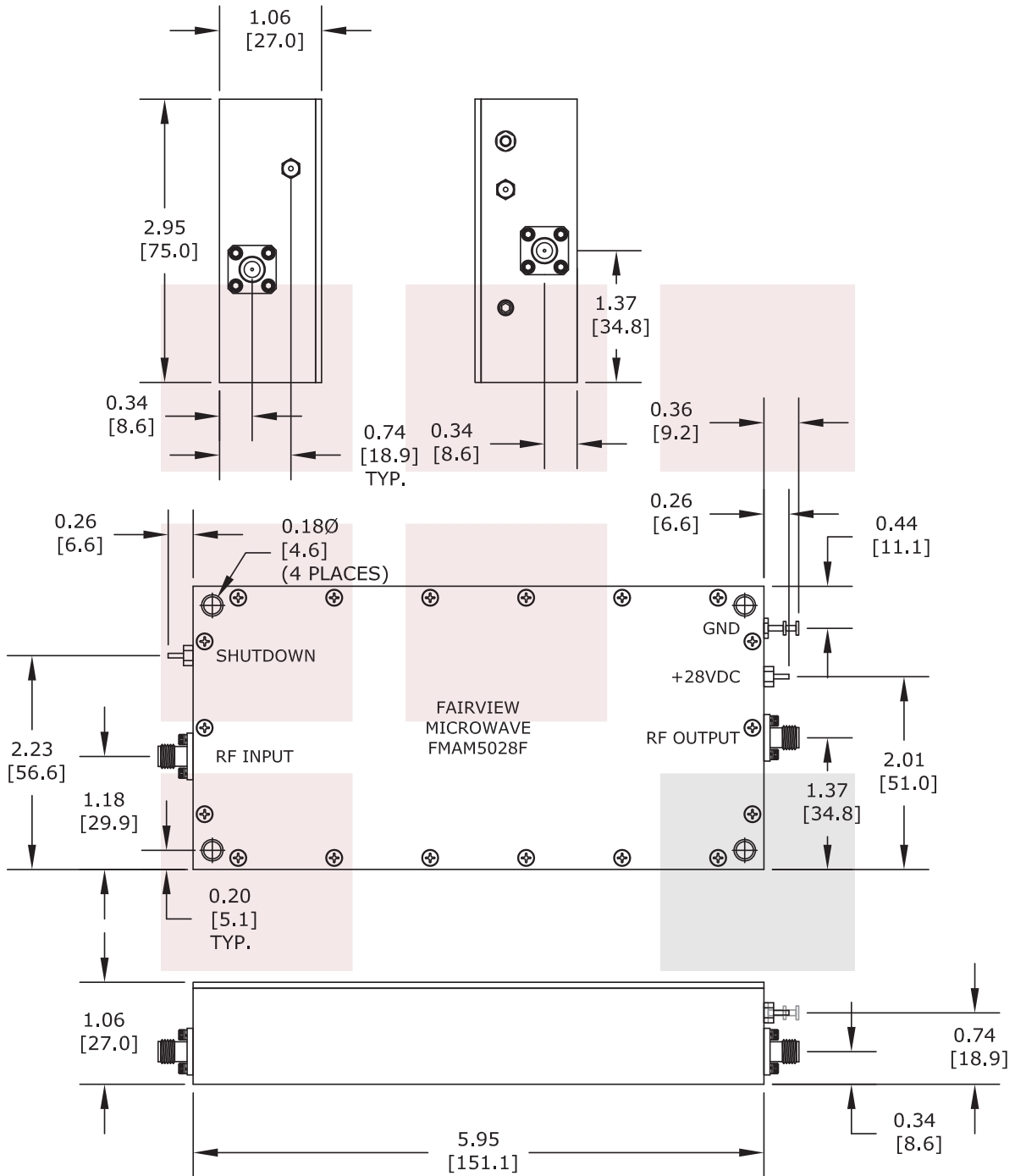
43 dB Gain High Power High Gain Amplifier at 25 Watt Psat Operating From 0.15 MHz to 230 MHz with 48 dBm IP3 and SMA from Fairview Microwave is in-stock and available to ship same-day. All of our RF/microwave products are available off-the-shelf from our ISO 9001:2008 certified facilities in Allen, Texas. Fairview Microwave is RF on-demand.

For additional information on this product, please click the following link: [43 dB Gain High Power High Gain Amplifier at 25 Watt Psat Operating From 0.15 MHz to 230 MHz with 48 dBm IP3 and SMA FMAM5028F](#)

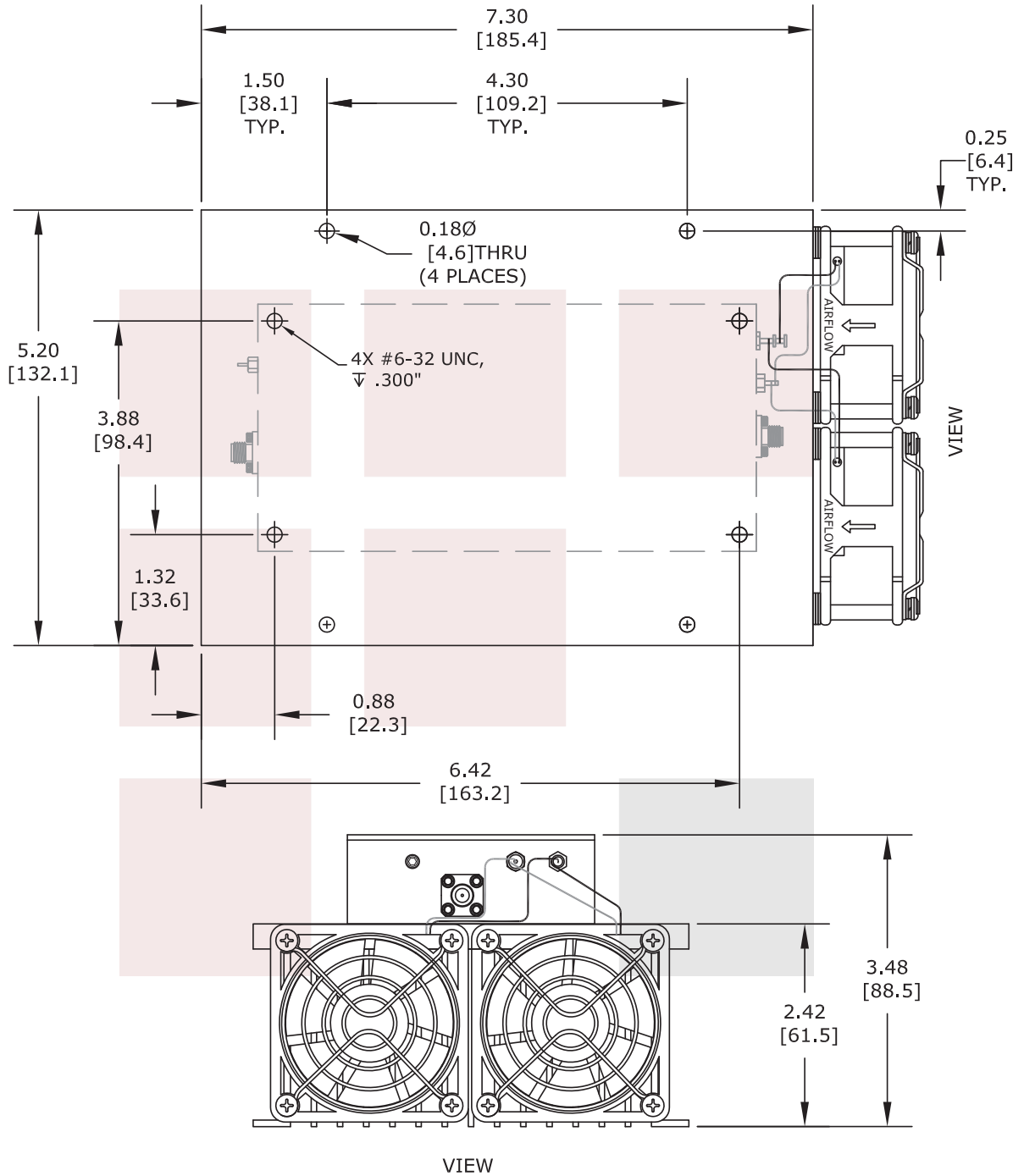
URL: <http://www.fairviewmicrowave.com/43db-high-power-high-gain-amplifier-25watt-fmam5028f-p.aspx>

The information contained in this document is accurate to the best of our knowledge and representative of the part described herein. It may be necessary to make modifications to the part and/or the documentation of the part, in order to implement improvements. Fairview Microwave reserves the right to make such changes as required. Unless otherwise stated, all specifications are nominal. Fairview Microwave does not make any representation or warranty regarding the suitability of the part described herein for any particular purpose, and Fairview Microwave does not assume any liability arising out of the use of any part or documentation.





<b>FAIRVIEW MICROWAVE INC.</b> ALLEN, TX 75013 WWW.FAIRVIEWMICROWAVE.COM		NOTES: 1. UNLESS OTHERWISE SPECIFIED ALL DIMENSIONS ARE NOMINAL. 2. ALL SPECIFICATIONS ARE SUBJECT TO CHANGE WITHOUT NOTICE AT ANY TIME. 3. DIMENSIONS ARE IN INCHES [mm].			
TITLE 43 dB Gain High Power High Gain Amplifier at 25 Watt Psat Operating From 0.15 MHz to 230 MHz with 48 dBm IP3 and SMA	DWG NO FMAM5028F	CAGE CODE 3FKR5			
CAD FILE 033015	SHEET	SCALE N/A	SIZE A	2233	



<b>FAIRVIEW MICROWAVE INC.</b> ALLEN, TX 75013 WWW.FAIRVIEWMICROWAVE.COM		NOTES: 1. UNLESS OTHERWISE SPECIFIED ALL DIMENSIONS ARE NOMINAL. 2. ALL SPECIFICATIONS ARE SUBJECT TO CHANGE WITHOUT NOTICE AT ANY TIME. 3. DIMENSIONS ARE IN INCHES [mm].					
TITLE 43 dB Gain High Power High Gain Amplifier at 25 Watt Psat Operating From 0.15 MHz to 230 MHz with 48 dBm IP3 and SMA		DWG NO <b>FMAM5028F</b>		CAGE CODE <b>3FKR5</b>			
CAD FILE	033015	SHEET	SCALE	N/A	SIZE	A	2233