

0 to 31 dB Step Attenuator With a 1 dB Step SMA Female Connectors Rated Up To 2.7 GHz and Up to 2 Watts in a Dial Design

Electrical Specifications*

Description	Min	Typ	Max	Units
Frequency Range	DC		2.7	GHz
Impedance		50		Ohms
Attenuation Value		0 to 31		dB
Step Size		1		dB
Step Type		Dial		
Accuracy Statement		1.00		
Input Power			2	Watts
VSWR			1.35:1	

* Values at 25°C, sea level

Mechanical Specifications

Temperature

Operating Range -40 to +85 deg C

Size

Length 2.13 in [54.1 mm]
 Width 1.28 in [32.51 mm]
 Height 2.09 in [53.09 mm]
 Weight 0.17946 lbs [81.4 g]

Connectors

Description	Connector 1	Connector 2
Type	SMA Female	SMA Female
Body Material & Plating	Brass	Brass

Compliance Certifications (visit www.FairviewMicrowave.com for current document)

RoHS Compliant Yes

Plotted and Other Data

Notes:

- Values at 25 °C, sea level

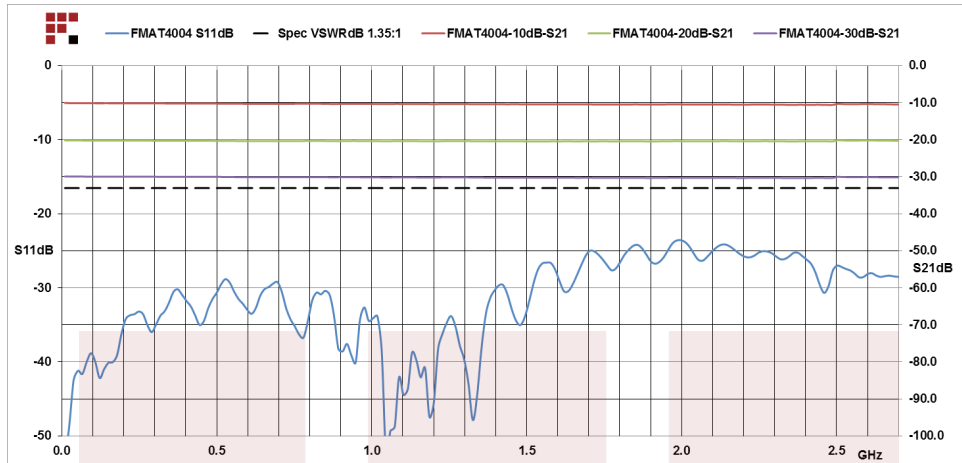


Features:

- Design: Step, Bidirectional Attenuator
- Connector 1: SMA Female
- Connector 2: SMA Female
- Body Material and Plating: Aluminum, Nickel

Fairview Microwave
 1130 Junction Dr. #100
 Allen, TX 75013
 Tel: 1-800-715-4396 / (972) 649-6678
 Fax: (972) 649-6689
www.fairviewmicrowave.com
sales@fairviewmicrowave.com

Typical Performance Data

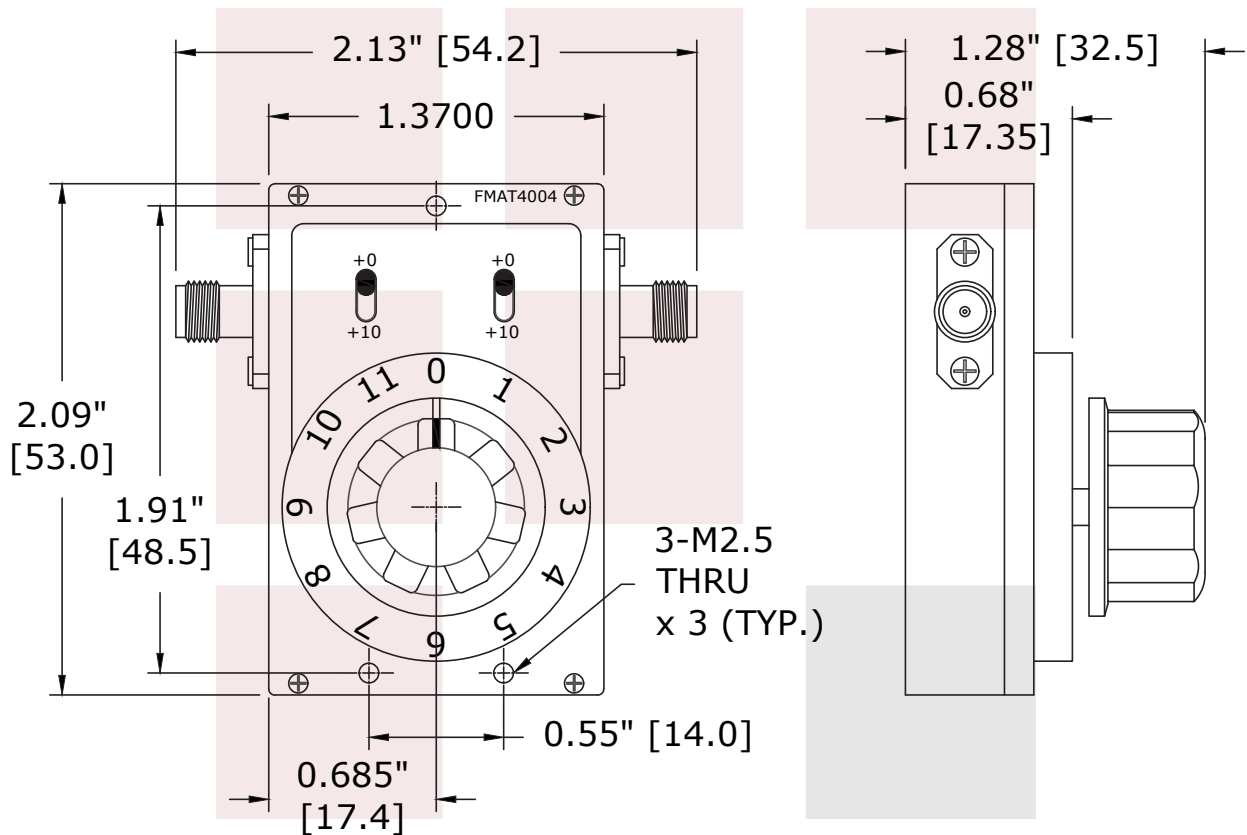


0 to 31 dB Step Attenuator With a 1 dB Step SMA Female Connectors Rated Up To 2.7 GHz and Up to 2 Watts in a Dial Design from Fairview Microwave is in-stock and available to ship same-day. All of our RF/microwave products are available off-the-shelf from our ISO 9001:2008 certified facilities in Allen, Texas. Fairview Microwave is RF on-demand.

For additional information on this product, please click the following link: [0 to 31 dB Step Attenuator With a 1 dB Step SMA Female Connectors Rated Up To 2.7 GHz and Up to 2 Watts in a Dial Design FMAT4004](#)

URL: <http://www.fairviewmicrowave.com/31db-step-attenuator-1db-sma-female-dc-2.7-ghz-2-watts-fmat4004-p.aspx>

The information contained in this document is accurate to the best of our knowledge and representative of the part described herein. It may be necessary to make modifications to the part and/or the documentation of the part, in order to implement improvements. Fairview Microwave reserves the right to make such changes as required. Unless otherwise stated, all specifications are nominal. Fairview Microwave does not make any representation or warranty regarding the suitability of the part described herein for any particular purpose, and Fairview Microwave does not assume any liability arising out of the use of any part or documentation.



FAIRVIEW MICROWAVE INC. ALLEN, TX 75013 WWW.FAIRVIEWMICROWAVE.COM		NOTES: 1. UNLESS OTHERWISE SPECIFIED ALL DIMENSIONS ARE NOMINAL. 2. ALL SPECIFICATIONS ARE SUBJECT TO CHANGE WITHOUT NOTICE AT ANY TIME. 3. DIMENSIONS ARE IN INCHES [mm].			
TITLE 0 to 31 dB Step Attenuator With a 1 dB Step SMA Female Connectors Rated Up To 2.7 GHz and Up to 2 Watts in a Dial Design		DWG NO FMAT4004		CAGE CODE 3FKR5	
CAD FILE	011415	SHEET	SCALE	N/A	SIZE A 5568