

MAX II Micro Kit

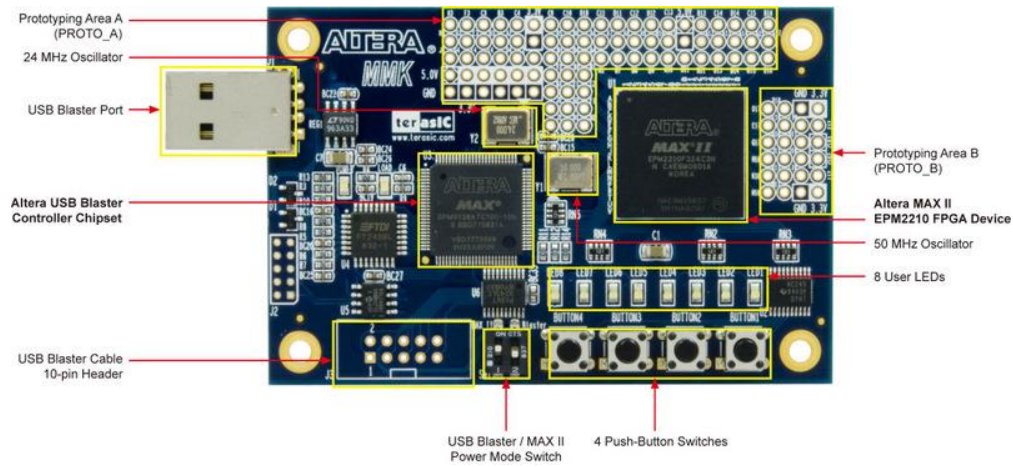
1. Overview



A complete digital design lab at your fingertips! Equipped with an Altera MAX® II EPM2210F324C3 device and on-board USB Blaster circuit, the MAX II Micro Kit provides users the best and largest CPLD design resource. MAX II Micro board can also be used as a USB Blaster cable (JTAG mode programming only) by leveraging its on-board USB Blaster circuit.

2. Specification

- Altera MAX® II EPM2210F324 FPGA device
 - USB Blaster (on board) for programming;
 - 4 pushbutton switches
 - 2 red user LEDs
 - 2 yellow user LEDs
 - 2 green user LEDs
 - 2 blue user LEDs
 - 50-MHz oscillator for clock sources
 - Powered by a USB cable (Type-A-Male to Type-A-Female)
-
- MAX II Micro can be used as a USB Blaster, and programming mode supported depends on the configuration device of Altera board connected to MAX II Micro (Only JTAG programming mode is supported to configure MAX II Micro).
-
- **Company: Terasic**
 - **Tel: +886-3-5750880**
 - **Fax: +886-3-5726690**
 - **Add: 9F., No.176, Sec.2, Gongdao 5th Rd, East Dist, Hsinchu City, 30070. Taiwan**



- Size : 86.36*57.4 mm

- **Company: Terasic**
- **Tel: +886-3-5750880**
- **Fax: +886-3-5726690**
- **Add: 9F., No.176, Sec.2, Gongdao 5th Rd, East Dist, Hsinchu City, 30070. Taiwa**