

**SMA Directional Coupler 30 dB Coupled Port From
 4 GHz to 12.4 GHz Rated To 50 Watts**

Electrical Specifications

| Description | Min | Typ | Max | Units |
|--------------------|-----|-------|--------|--------|
| Frequency Range | 4 | | 12.4 | GHz |
| Impedance | | 50 | | Ohms |
| Coupling | | 30 ±1 | | dB |
| Freq. Sensitivity | | 1 | | dB |
| Insertion Loss | | 1.25 | | dB |
| Directivity | 17 | | | dB |
| Main Line VSWR | | | 1.35:1 | |
| Sec. Line VSWR | | | 1.35:1 | |
| Input Power (CW) | | | 50 | Watts |
| Input Power (Peak) | | | 3 | KWatts |



Mechanical Specifications

Size

| | |
|------------|----------------------|
| Length | 1.22 in [30.99 mm] |
| Width/Dia. | 0.6 in [15.24 mm] |
| Height | 0.38 in [9.65 mm] |
| Weight | 0.0675 lbs [30.62 g] |

Configuration

| | |
|--------------------|------------|
| Input Connector | SMA Female |
| Output Connector | SMA Female |
| Coupled Connectors | SMA Female |

Compliance Certifications (visit www.FairviewMicrowave.com for current document)

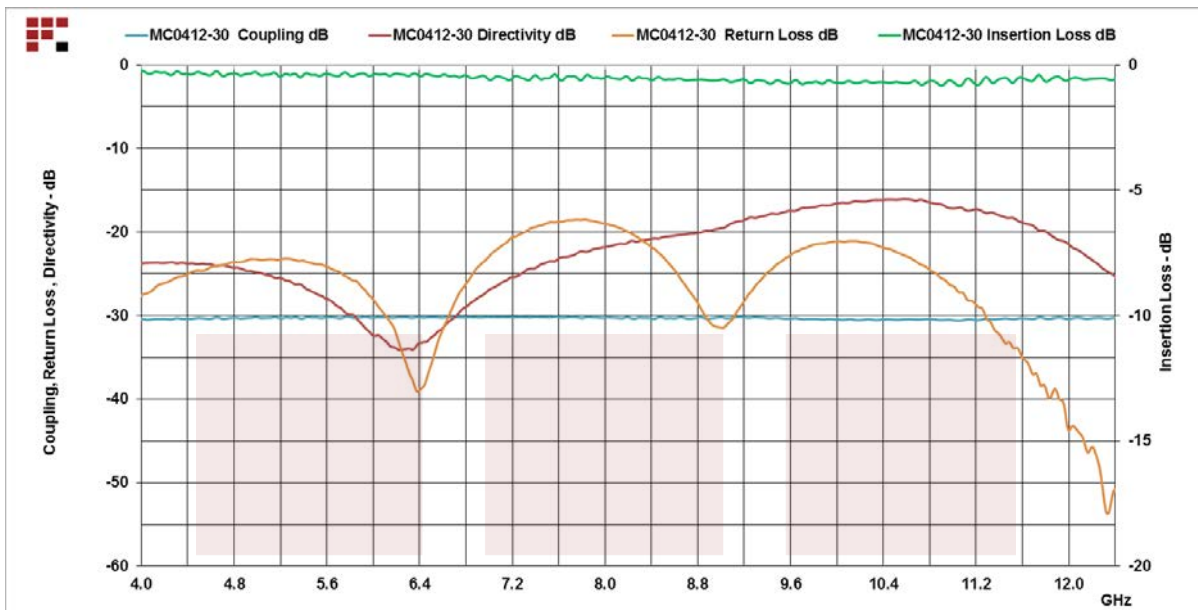
| | |
|-----------------|------------|
| RoHS Compliant | Yes |
| REACH Compliant | 12/17/2015 |

Plotted and Other Data

Notes:

Fairview Microwave
 1130 Junction Dr. #100
 Allen, TX 75013
 Tel: 1-800-715-4396 / (972) 649-6678
 Fax: (972) 649-6689
www.fairviewmicrowave.com
sales@fairviewmicrowave.com

Typical Performance Data

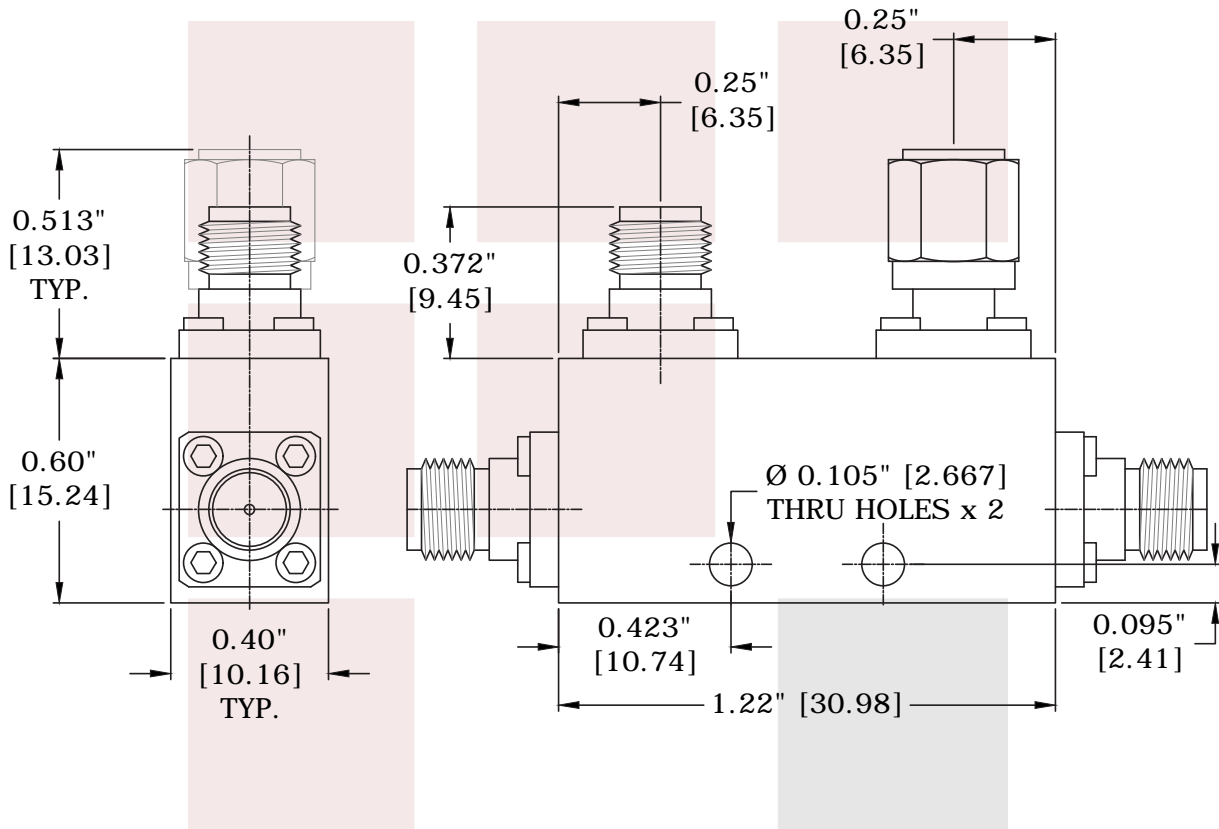


SMA Directional Coupler 30 dB Coupled Port From 4 GHz to 12.4 GHz Rated To 50 Watts from Fairview Microwave is in-stock and available to ship same-day. All of our RF/microwave products are available off-the-shelf from our ISO 9001:2008 certified facilities in Allen, Texas. Fairview Microwave is RF on-demand.

For additional information on this product, please click the following link: [SMA Directional Coupler 30 dB Coupled Port From 4 GHz to 12.4 GHz Rated To 50 Watts MC0412-30](http://www.fairviewmicrowave.com/sma-directional-coupler-30-db-12.4-ghz-50-watts-mc0412-30)

URL: <http://www.fairviewmicrowave.com/sma-directional-coupler-30-db-12.4-ghz-50-watts-mc0412-30-p.aspx>

The information contained in this document is accurate to the best of our knowledge and representative of the part described herein. It may be necessary to make modifications to the part and/or the documentation of the part, in order to implement improvements. Fairview Microwave reserves the right to make such changes as required. Unless otherwise stated, all specifications are nominal. Fairview Microwave does not make any representation or warranty regarding the suitability of the part described herein for any particular purpose, and Fairview Microwave does not assume any liability arising out of the use of any part or documentation.



| | | | | | |
|--|--------|---|-------|--------------------|-------------|
| FAIRVIEW MICROWAVE INC. ALLEN, TX 75013 WWW.FAIRVIEWMICROWAVE.COM | | NOTES: 1. UNLESS OTHERWISE SPECIFIED ALL DIMENSIONS ARE NOMINAL. 2. ALL SPECIFICATIONS ARE SUBJECT TO CHANGE WITHOUT NOTICE AT ANY TIME. 3. DIMENSIONS ARE IN INCHES [mm]. | | | |
| TITLE SMA Directional Coupler 30 dB Coupled Port From 4 GHz to 12.4 GHz Rated To 50 Watts | | DWG NO MC0412 | | CAGE CODE 3FKR5 | |
| CAD FILE | 052716 | SHEET | SCALE | N/A | SIZE A 5568 |