

SMA F'S DIRECTIONAL COUPLER 0.5-1 GHZ

MC2011-XX

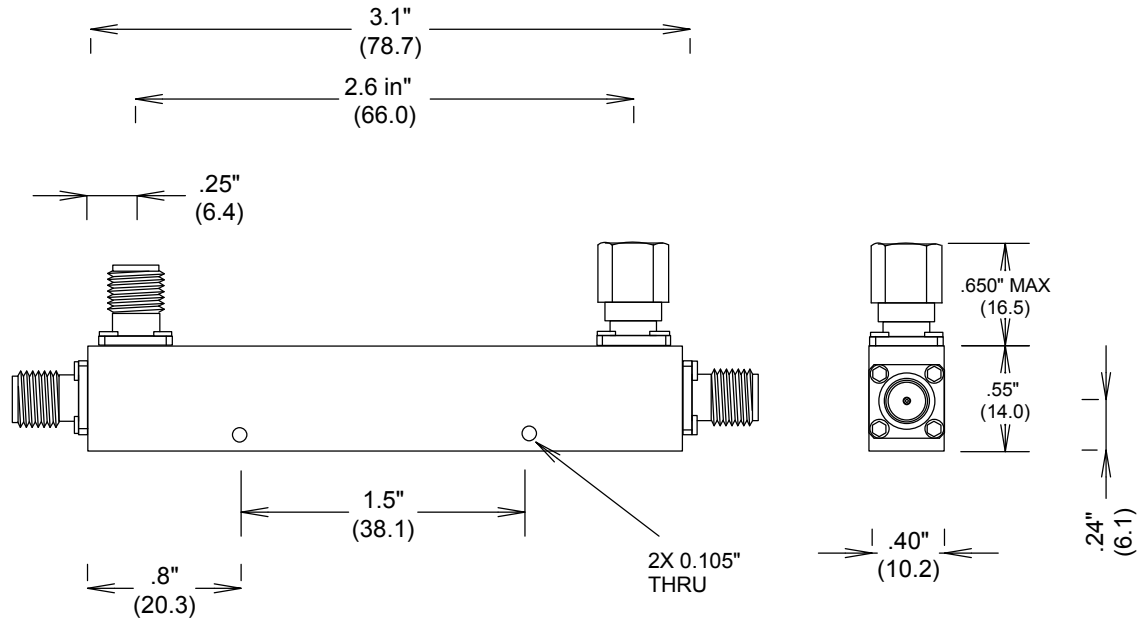
SPECIFICATIONS

ELECTRICAL:

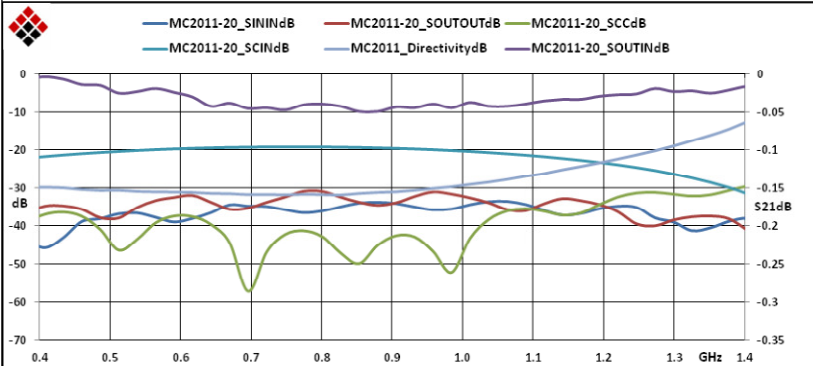
FREQUENCY: 0.5-1 GHZ
 MAX POWER CW: 6 dB: 4W
 10 dB: 10W
 20 & 30 dB: 50W
 FLATNESS +/- 1.0DB (6DB)
 FLATNESS +/- 1.25DB (10-30DB)
 IMPEDANCE: 50 OHMS
 DIRECTIVITY 25DB MIN
 VSWR 1.2 MAX
 INS LOSS 1.75DB MAX (6DB);
 0.8DB MAX (10DB)
 0.5DB MAX (20DB)
 0.4DB MAX (30DB)

INTERFACE: MIL-STD-883
 CONTACT PLATING Au 30μ-in
 FEMALE CONTACTS BeCu
 OP TEMP -55-110°C

ROHS COMPLIANT



MEASUREMENTS BELOW ARE TYPICAL



ALL DIMENSIONS IN inches(mm) Typical

FAIRVIEW MICROWAVE INC.

ALLEN, TX 75013 WWW.FAIRVIEWMICROWAVE.COM

TITLE

**SMA F'S DIRECTIONAL COUPLER
 0.5-1 GHZ**

SIZE

A

CAGE CODE

3FKR5

DWG NO

MC2011-XX

REV

B

SCALE

SHEET