

VARIABLE ATTENUATOR 4 GHZ 90 DB SMA

SA4090

SPECIFICATIONS

ELECTRICAL:

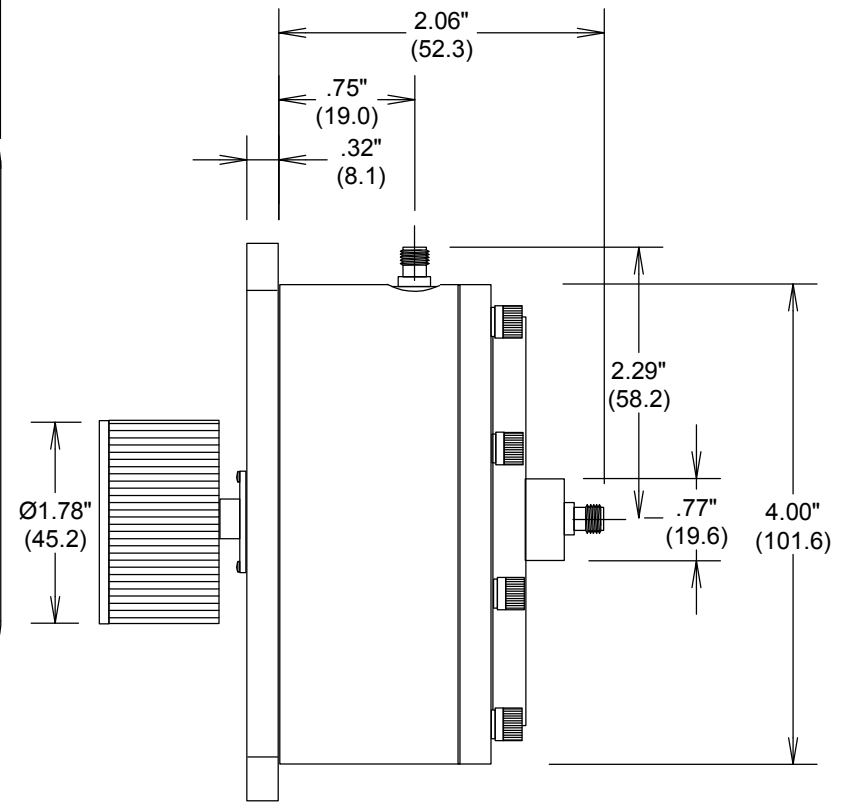
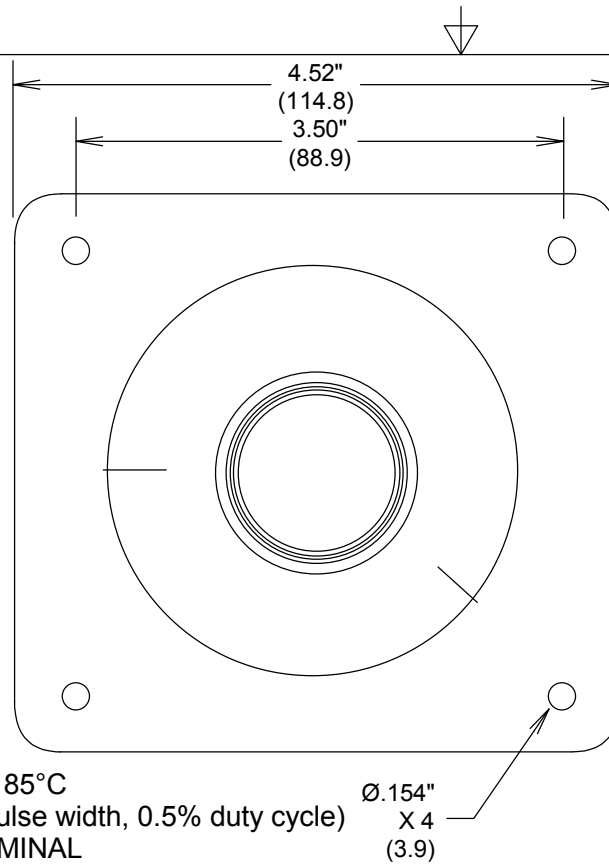
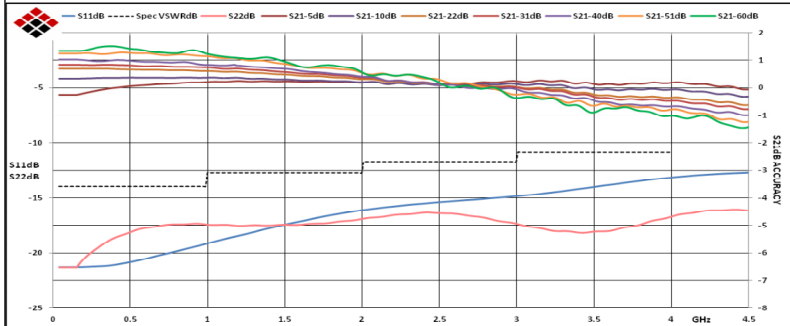
FREQUENCY: 0-4 GHZ
 VSWR 1.50 MAX @ 1GHZ
 VSWR 1.60 MAX @ 2GHZ
 VSWR 1.70 MAX @ 3GHZ
 VSWR 1.80 MAX @ 4GHZ
 POWER (AVG) 5 WATTS @ 40°C
 DERATED LINEARLY TO 0 WATTS @ 85°C
 POWER (PEAK) 0.5 KILOWATTS (5μs pulse width, 0.5% duty cycle)
 RESIDUAL INSERTION LOSS: 5 dB, NOMINAL

IMPEDANCE: 50 OHMS

MECHANICAL:

INTERFACE: MIL-STD-348A
 TEMP: 0 to +85°C
 DESIGN & TESTED TO MEET MIL-DTL-24215
 10,000 CYCLES
 ROHS COMPLIANT

MEASUREMENTS BELOW ARE TYPICAL



ALL DIMENSIONS IN inches(mm) Typical

FAIRVIEW MICROWAVE INC.

ALLEN, TX 75013 WWW.FAIRVIEWMICROWAVE.COM

TITLE

VARIABLE ATTENUATOR
4 GHZ 90 DB SMA

SIZE

A

CAGE CODE

3FKR5

DWG NO

SA4090

REV

C

SCALE

SHEET