

**WR-137 Seamless Flexible Waveguide Using UG-344/U Round Cover Flange With a 5.85 GHz to 8.2 GHz Frequency Range**

The SMW137SF005-36 is part of Fairview Microwave’s family of flexible, seamless waveguides which operates in the 5.85 to 8.20 GHz range. The waveguide body is made of silver plated brass. It can be bent in both the E and H planes without impairing VSWR or attenuation. The waveguide is covered by a neoprene jacket which protects the waveguide and provides mechanical support.

**Electrical Specifications**

Description	Min	Typ	Max	Units
Frequency Range	5.85		8.2	GHz
VSWR		1.07:1		
Insertion Loss		0.18		dB

**Mechanical Specifications**

Waveguide Size	WR-137
Waveguide Design	Seamless
Section Length	36 in [914.4 mm]
E-Plane Minimum Bend Radius, One Time	1.18 in [29.97 mm]
H-Plane Minimum Bend Radius, One Time	1.97 in [50.04 mm]
Maximum Offset Rotation, One Time	30 degrees/ft

Description	Flange 1	Waveguide	Flange 2
Type	Round Cover	WR-137	Round Cover
Designation	UG-344/U		UG-344/U
Material	Brass	Copper	Brass
Plating		Silver	
Color	Gold	Black	Gold

**Compliance Certifications** (visit [www.FairviewMicrowave.com](http://www.FairviewMicrowave.com) for current document)

RoHS Compliant	Yes
REACH Compliant	12/17/2015

**Plotted and Other Data**

- Notes:
- Notes, Plotted Data



**Features:**

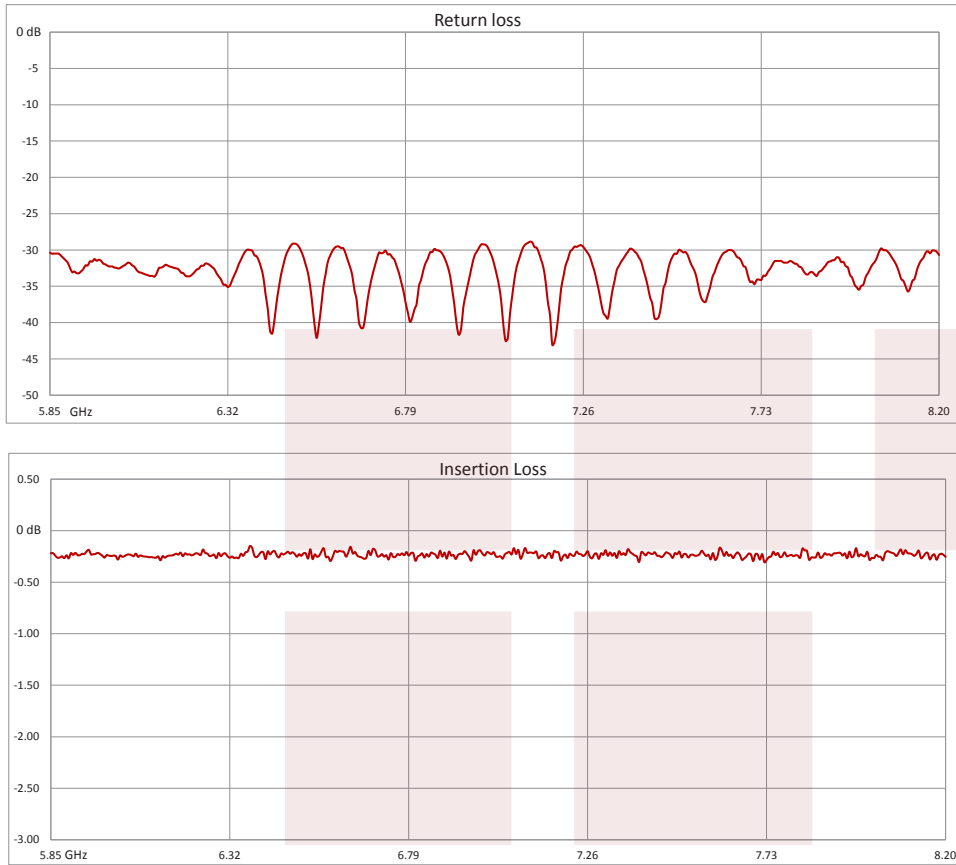
- WR-137 waveguide
- Flexes in both the E and H plane
- 5.85 GHz to 8.20 GHz Frequency Range
- Brass flanges with a silver plated brass body
- Neoprene sleeve provides added protection and mechanical support

**Applications:**

- Allows expansion/contraction due to thermal issues.
- Test Benches
- Microwave Radio
- Eliminates installation problems caused by misalignment.
- Pressurized waveguide systems
- Provides vibration isolation

Fairview Microwave  
 1130 Junction Dr. #100  
 Allen, TX 75013  
 Tel: 1-800-715-4396 / (972) 649-6678  
 Fax: (972) 649-6689  
[www.fairviewmicrowave.com](http://www.fairviewmicrowave.com)  
[sales@fairviewmicrowave.com](mailto:sales@fairviewmicrowave.com)

**Typical Performance Data**

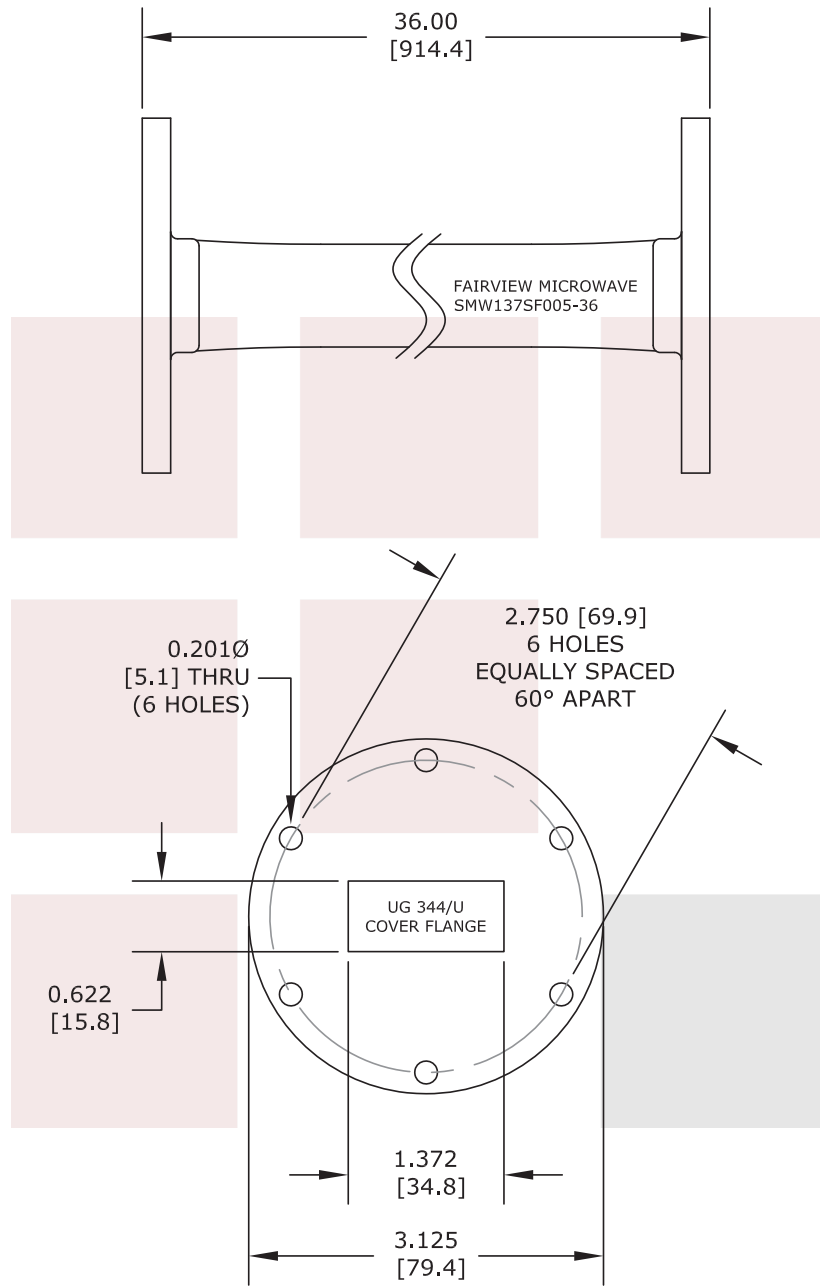


WR-137 Seamless Flexible Waveguide Using UG-344/U Round Cover Flange With a 5.85 GHz to 8.2 GHz Frequency Range from Fairview Microwave is in-stock and available to ship same-day. All of our RF/microwave products are available off-the-shelf from our ISO 9001:2008 certified facilities in Allen, Texas. Fairview Microwave is RF on-demand.

For additional information on this product, please click the following link: [WR-137 Seamless Flexible Waveguide Using UG-344/U Round Cover Flange With a 5.85 GHz to 8.2 GHz Frequency Range SMW137SF005-36](https://www.fairviewmicrowave.com/wr-137-seamless-flexible-waveguide-ug344-round-5.85-8.2-ghz-smw137sf005-36)

URL: <https://www.fairviewmicrowave.com/wr-137-seamless-flexible-waveguide-ug344-round-5.85-8.2-ghz-smw137sf005-36-p.aspx>

The information contained in this document is accurate to the best of our knowledge and representative of the part described herein. It may be necessary to make modifications to the part and/or the documentation of the part, in order to implement improvements. Fairview Microwave reserves the right to make such changes as required. Unless otherwise stated, all specifications are nominal. Fairview Microwave does not make any representation or warranty regarding the suitability of the part described herein for any particular purpose, and Fairview Microwave does not assume any liability arising out of the use of any part or documentation.



<b>FAIRVIEW MICROWAVE INC.</b> ALLEN, TX 75013 WWW.FAIRVIEWMICROWAVE.COM		NOTES: 1. UNLESS OTHERWISE SPECIFIED ALL DIMENSIONS ARE NOMINAL. 2. ALL SPECIFICATIONS ARE SUBJECT TO CHANGE WITHOUT NOTICE AT ANY TIME. 3. DIMENSIONS ARE IN INCHES [mm].			
TITLE WR-137 Seamless Flexible Waveguide Using UG-344/U Round Cover Flange With a 5.85 GHz to 8.2 GHz Frequency Range		DWG NO SMW137SF005-36		CAGE CODE 3FKR5	
CAD FILE	101315	SHEET	SCALE	N/A	SIZE A 2233