

High Power Amplifier at 5 Watt P1dB Operating From 3.1 GHz to 3.5 GHz with 8 dB Gain and SMA

The SPA-035-08-05-SMA is a wideband linear power coaxial amplifier operating in the 3.1 to 3.5 GHz frequency range. The amplifier offers 37 dBm typ of P1dB power and high 8 dB typical small signal gain with the gain flatness of ± 0.5 dB typical. The amplifier provides 1 W of Linear COFDM Power. This excellent technical performance is achieved through the use of hybrid MIC design and advanced GaAs PHEMT devices. The amplifier requires typically a +12V DC power supply, includes built-in Voltage regulation. The connectorized SMA module is unconditionally stable and operates over the temperature range of -10°C and +80°C.



Electrical Specifications (TA = +25°C , DC Voltage = 12Volts)

Description	Min	Typ	Max	Unit
Frequency Range	3.1		3.5	GHz
Small Signal Gain		8		dB
Gain Flatness		± 0.5		dB
P1dB	+37			dBm
Input Return Loss		-15	-14	dB
Operating DC Voltage		12	14	Volts
Quiescent Current		750		mA
Operating Temperature Range	-10		+80	°C

Configuration

- Connector 1 SMA Female
- Connector 2 SMA Female

Environmental Specifications

Temperature

- Operating Range -10 to +80 deg C
- Storage Range -65 to +150 deg C

Features:

- 3.1 GHz to 3.5 GHz Frequency Range
- P1dB 37 dBm typ
- Small Signal Gain: 8 dB typ
- Gain Flatness: ± 0.5 typical
- 50 Ohms Input and Output Matched
- Unconditionally Stable
- Regulated Supply & Bias Sequencing

Applications:

- L-band Military Radar
- Commercial Air Traffic Control
- Weather & Earth Observation Satellites
- Radar & Communication Systems
- High Gain Driver Power Amplifier
- High Gain Output Power Amplifier

Fairview Microwave
1130 Junction Dr. #100
Allen, TX 75013
Tel: 1-800-715-4396 / (972) 649-6678
Fax: (972) 649-6689
www.fairviewmicrowave.com
sales@fairviewmicrowave.com

Compliance Certifications (visit www.FairviewMicrowave.com for current document)

Plotted and Other Data

Notes:

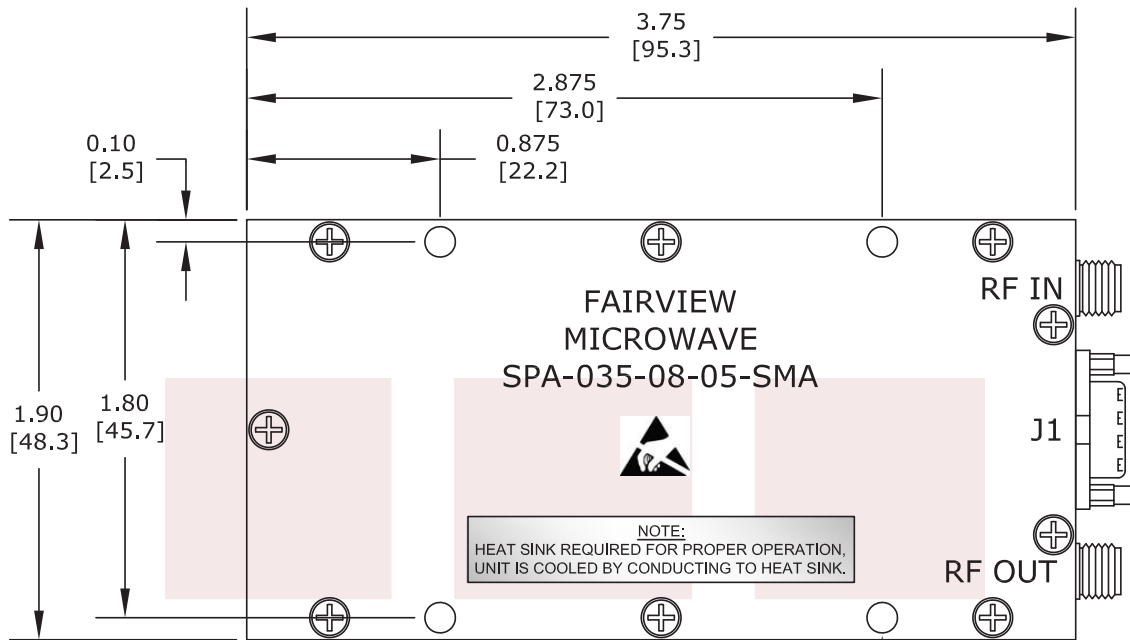
- Values at 25 °C, sea level
- ESD Sensitive Material, Transport material in Approved ESD bags. Handle only in approved ESD Workstation.
- Heat Sink Required for Proper Operation, Unit is cooled by conduction to heat sink.

High Power Amplifier at 5 Watt P1dB Operating From 3.1 GHz to 3.5 GHz with 8 dB Gain and SMA from Fairview Microwave is in-stock and available to ship same-day. All of our RF/microwave products are available off-the-shelf from our ISO 9001:2008 certified facilities in Allen, Texas. Fairview Microwave is RF on-demand.

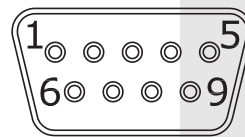
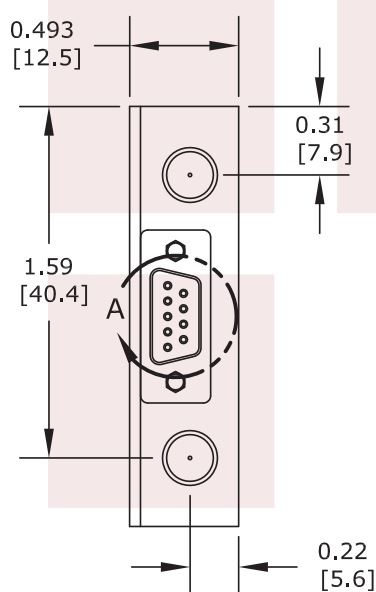
For additional information on this product, please click the following link: [High Power Amplifier at 5 Watt P1dB Operating From 3.1 GHz to 3.5 GHz with 8 dB Gain and SMA SPA-035-08-05-SMA](#)

URL: <http://www.fairviewmicrowave.com/high-power-amplifier-5watt-8db-spa-035-08-05-sma-p.aspx>

The information contained in this document is accurate to the best of our knowledge and representative of the part described herein. It may be necessary to make modifications to the part and/or the documentation of the part, in order to implement improvements. Fairview Microwave reserves the right to make such changes as required. Unless otherwise stated, all specifications are nominal. Fairview Microwave does not make any representation or warranty regarding the suitability of the part described herein for any particular purpose, and Fairview Microwave does not assume any liability arising out of the use of any part or documentation.



NOTE:
HEAT SINK REQUIRED FOR PROPER OPERATION,
UNIT IS COOLED BY CONDUCTING TO HEAT SINK.



View A

J1 - Male Micro-D Conn.	
PIN	FUNCTION
1	GND
2	GND
3	+VDC
4	+VDC
5	Amp Enable
6	GND
7	+VDC
8	+VDC
9	GND

PIN	DESCRIPTION	SPECIFICATION
+VDC	DC Supply	+9 to +14 VDC
AMP Enable	TTL On/Off	Low=Enable, High=Disable
GND	---	---
RF Input	---	+27 dBm Max.

NOTE:
HEAT SINK REQUIRED FOR PROPER OPERATION,
UNIT IS COOLED BY CONDUCTING TO HEAT SINK.

FAIRVIEW MICROWAVE INC.
ALLEN, TX 75013 WWW.FAIRVIEWMICROWAVE.COM

NOTES:
1. UNLESS OTHERWISE SPECIFIED ALL DIMENSIONS ARE NOMINAL.
2. ALL SPECIFICATIONS ARE SUBJECT TO CHANGE WITHOUT NOTICE AT ANY TIME.
3. DIMENSIONS ARE IN INCHES [mm].

TITLE
High Power Amplifier at 5 Watt P1dB Operating From 3.1 GHz to 3.5 GHz with 8 dB Gain and SMA

DWG NO	CAGE CODE
SPA-035-08-05-SMA	3FKR5
CAD FILE 100817 SHEET	SCALE N/A SIZE A 2233