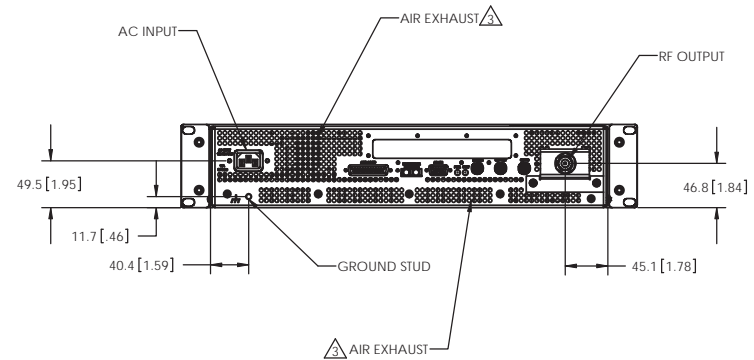
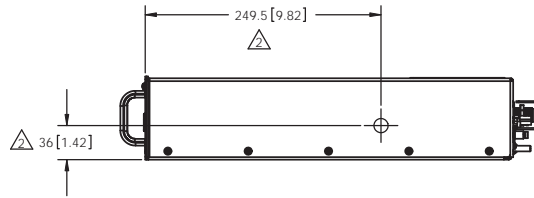
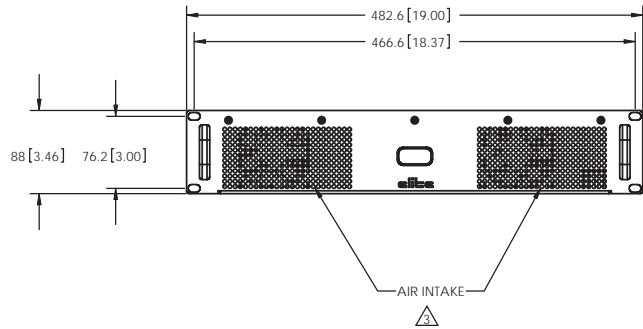
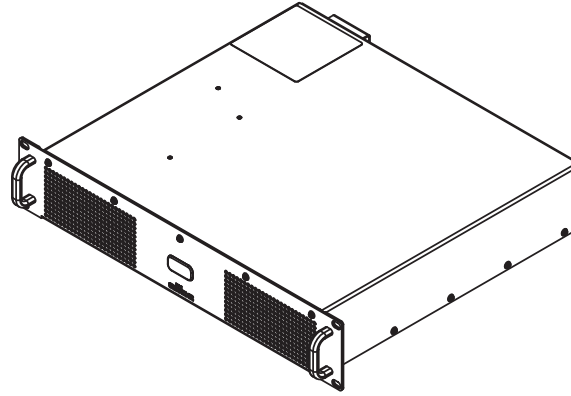
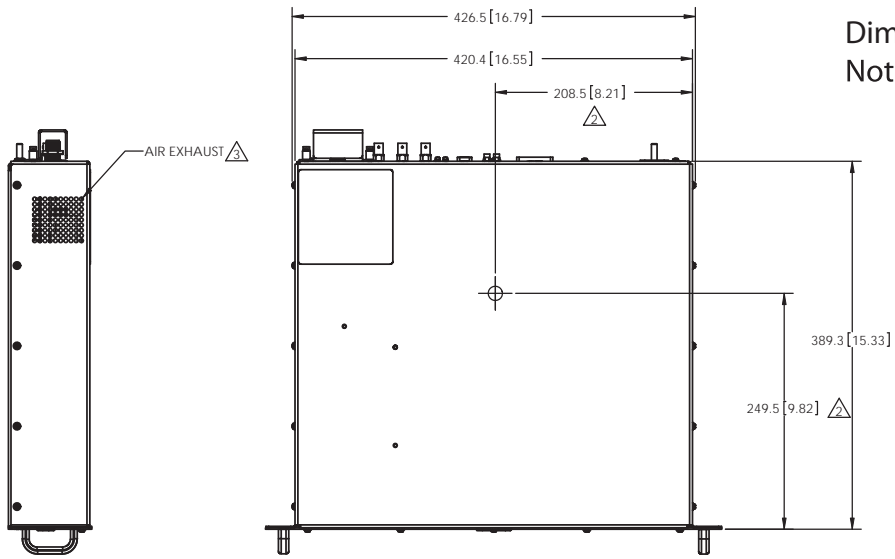
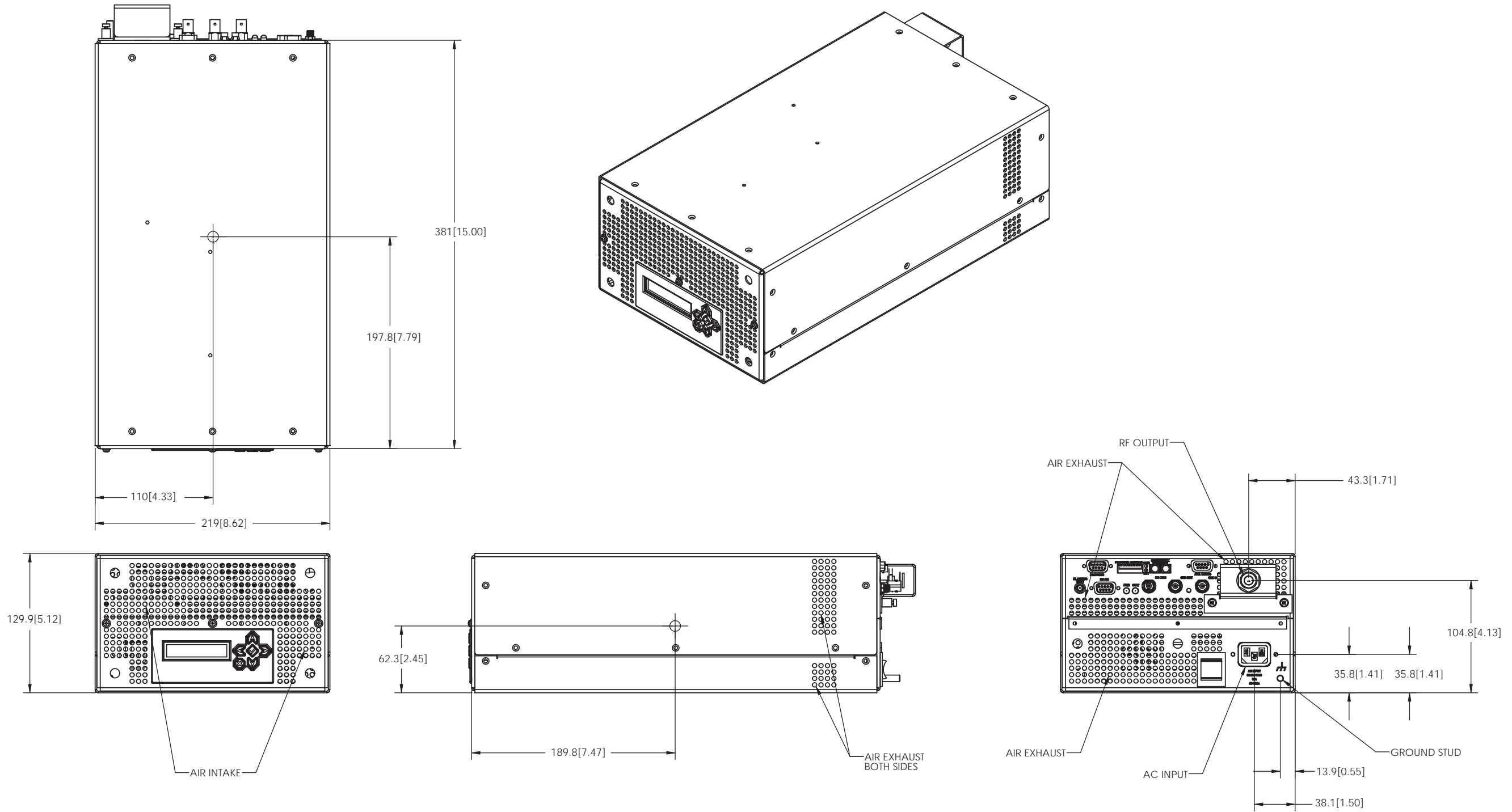


Dimensional Drawing — Full Rack

Note: Unless otherwise specified, dimensions are nominal values in mm (inches referenced).





Dimensional Drawing — Half Rack

Note: Unless otherwise specified, dimensions are nominal values in mm (inches referenced).