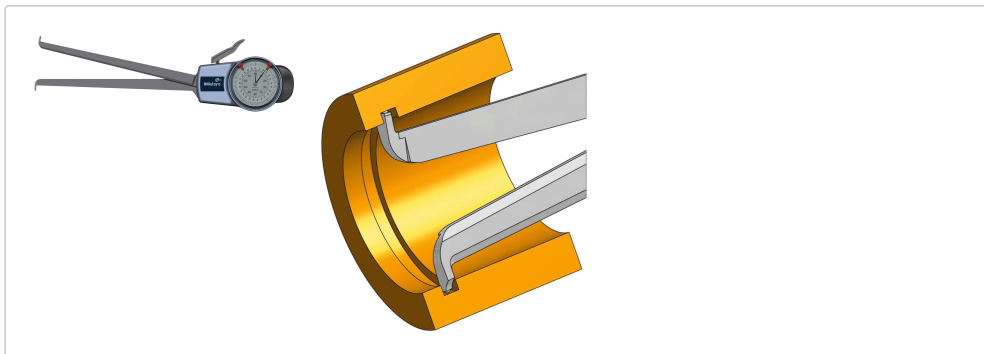




## Internal Dial Caliper Gauge

15-65mm, 0,05mm

Item number: 209-901



### Description

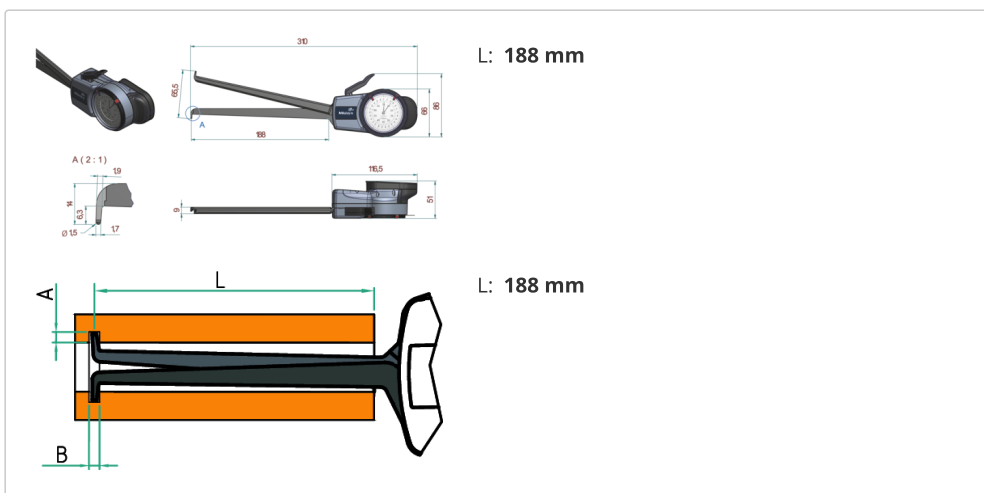
This analog Internal Dial Caliper Gauge offers you the following benefits:

- Excellent resistance against water and dust (IP65 protection level)
- Optimized measuring force
- Ergonomically designed to lie securely in your hand when measuring

### Features

Range:	<b>15 - 65 mm</b>
Graduation:	<b>0.05 mm</b>
Accuracy:	<b>0,05 mm</b>
Type:	<b>Fig. 4</b>
Measuring force:	<b>0,9-1,9 N N</b>
Mass:	<b>355 g</b>
A:	<b>5.5 mm</b>
B:	<b>1.9 mm</b>
Inch-Metric:	<b>Metric</b>
Functions:	<b>Measuring contacts: carbide ball Ø 1,5 mm</b>

### Dimensions



### Accessories

Optional accessories:



**Holder for Digital Caliper Gauge  
for 209-901 up to 209-924  
63AAA437**

Suggested retail price: **158.00 €\***