

1. Bestimmungsgemäße Verwendung	1. Permitted use	1. Utilisation conforme à l'usage prévu	1. Aplicación según el uso previsto	1. Uso previsto	1. 概述
---------------------------------	------------------	---	-------------------------------------	-----------------	-------

2. Lieferung	2. Delivery	2. L'équipement de base	2. El equipamiento básico	2. La fornitura di base	2. 标准配置清单
--------------	-------------	-------------------------	---------------------------	-------------------------	-----------

3. Wichtige Hinweise	3. Important hints	3. Consignes importantes	3. Indicaciones importantes	3. Note importanti	3. 使用注意事项
----------------------	--------------------	--------------------------	-----------------------------	--------------------	-----------

4. Sicherheitshinweis	4. Safety Information	4. Indications de Sécurité	4. Indicación de seguridad	4. Avvertenze di sicurezza	4. 安全须知
-----------------------	-----------------------	----------------------------	----------------------------	----------------------------	---------

5. Technische Daten	5. Technical Data	5. Caractéristiques techniques	5. Datos técnicos	5. Dati Tecnici	5. 技术参数
---------------------	-------------------	--------------------------------	-------------------	-----------------	---------

6. Beschreibung	6. Description	6. Description	6. Descripción	6. Descrizione	6. 描述
-----------------	----------------	----------------	----------------	----------------	-------

7. Batterie einlegen bzw. wechseln	7. Inserting resp. changing of battery	7. Insertion ou changement de pile	7. Introducir o cambiar la batería	7. Inserimento o sostituzione batteria	7. 安装电池
------------------------------------	--	------------------------------------	------------------------------------	--	---------

8. Funktionen	8. Functions	8. Fonctions	8. Funciones	8. Funzioni	8. 功能
---------------	--------------	--------------	--------------	-------------	-------

8.1 Auto ON / OFF	8.1 Auto ON / OFF	8.1 Mode de mesure	8.1 Encendido / Apagado automático	8.1 Auto ON / OFF	8.1 自动开/关
-------------------	-------------------	--------------------	------------------------------------	-------------------	-----------

8.2 Messmodus	8.2 Measuring mode	8.2 Mode de mesure	8.2 Modo de medición	8.2 Funzione di misura	8.2 测量模式
---------------	--------------------	--------------------	----------------------	------------------------	----------

8.3 DATA / HOLD - Funktion	8.3 DATA / HOLD function	8.3 Fonction DATA / HOLD	8.3 Función DATOS / HOLD	8.3 Funzione DATA / HOLD	8.3 数据保持/传输功能
----------------------------	--------------------------	--------------------------	--------------------------	--------------------------	---------------

8.4 Auto ON / OFF	8.4 Auto ON / OFF	8.4 Auto ON / OFF	8.4 Auto ON / OFF	8.4 Auto ON / OFF	8.4 Auto ON / OFF
-------------------	-------------------	-------------------	-------------------	-------------------	-------------------

8.5 Messmodus	8.5 Measuring mode	8.5 Mode de mesure	8.5 Modo de medición	8.5 Funzione di misura	8.5 测量模式
---------------	--------------------	--------------------	----------------------	------------------------	----------

8.6 DATA / HOLD - Funktion	8.6 DATA / HOLD function	8.6 Fonction DATA / HOLD	8.6 Función DATOS / HOLD	8.6 Funzione DATA / HOLD	8.6 数据保持/传输功能
----------------------------	--------------------------	--------------------------	--------------------------	--------------------------	---------------

8.4 TOL

Tolerance and warning limits display. This function means that good parts/objects and tolerance deviations of a dimension can be identified quickly. Includes diagrams showing tolerance limits and warning indicators.

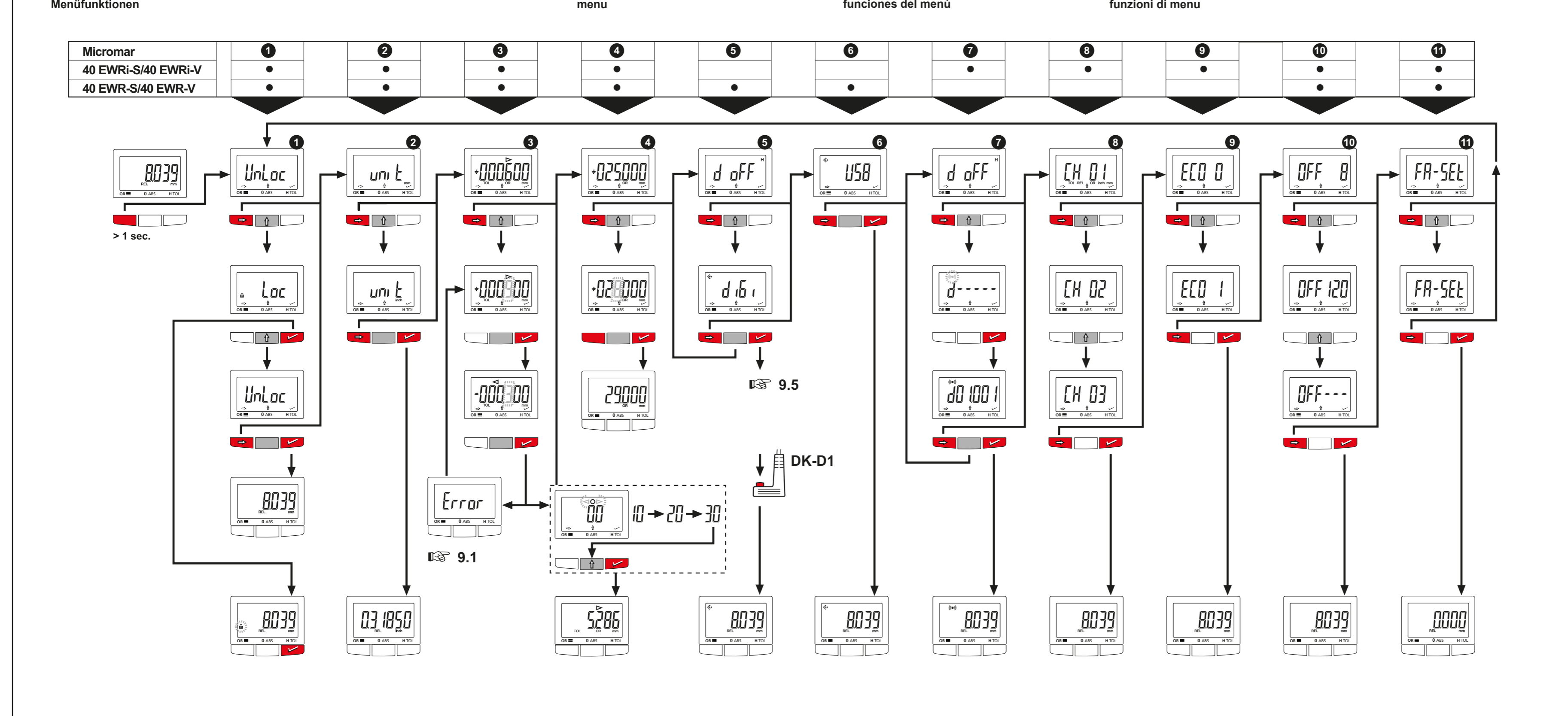
公差和报警接近范围. 此功能意味着可以快速识别合格零件/物体和尺寸公差范围。Includes diagrams showing tolerance limits and warning indicators.

Bedienungsanleitung Operating Instructions Instructions de Service Manual de Instructions Manuale di Istruzioni 操作使用说明书

Mahr GmbH Carl-Mahr-Straße 1 37073 Göttingen Tel.: +49 51 70723 0 info@mahr.com, www.mahr.com

8.5 MENÜ

8.5.1 Navigating in the menu, setting parameters. 8.5.2 Menüfunktionen. 8.5.3 Strukturdiagramm der Menüfunktionen. Includes diagrams showing menu navigation and structure.



FCC Compliance. This device complies with part 15 of the FCC Rules. Operation is subject to the following two conditions: (1) This device may not cause harmful interference, and (2) this device must accept any interference received, including interference that may cause undesired operation.

Industry Canada Compliance. This device complies with Industry Canada license-exempt RSS standard(s). Operation is subject to the following two conditions: (1) This device may not cause interference, and (2) this device must accept any interference that may cause undesired operation of the device.

8.5.4 ORIGIN-Wert eingeben

8.5.4 Enter ORIGIN value. 8.5.5 Datenkommunikation. 8.5.6 Datenkommunikation. Includes diagrams showing data communication and origin value entry.

Mexico. La operación de este equipo está sujeta a las siguientes dos condiciones: (1) es posible que este equipo de dispositivo no cause interferencia perjudicial y (2) este equipo o dispositivo debe aceptar cualquier interferencia, incluyendo la que pueda causar su operación no deseada.

9. Displaymeldungen

9.1 "Error"-Fehlermeldung. 9.2 / / Bedienstatus gesperrt. 9.3 d Loc / einzelne Funktionen gesperrt. 9.4 Batterie-Symbol / Lo Bat-Meldung. 9.5 „no Fct“-Fehlermeldung. Includes diagrams showing error messages and display functions.

9.1 "Error" 消息. 9.2 / / 此键被锁功能开启被锁. 9.3 d Loc / 个体功能已被锁定. 9.4 电池符号 / "Lo Bat" 消息. 9.5 "no Fct" 错误消息.

Bestätigung der Rückführbarkeit. Confirmation of traceability. Includes text in multiple languages regarding product traceability.

Entsorgungshinweise

Notes for disposal. Traitement des déchets. Notas sobre la eliminación. Note sullo smaltimento. 回收处理. Includes diagrams showing disposal instructions for batteries and electronic equipment.

Elektrische Abfälle. 电子产品废弃物. Includes text in multiple languages regarding the disposal of electronic waste.

EU-Konformitätserklärung

EU Declaration of Conformity. Déclaration de conformité UE. Declaración de conformidad de la UE. Dichiarazione di conformità UE. 一致性声明. Includes text in multiple languages regarding EU conformity.