

IP65
WATERPROOF

DATA
OUTPUT

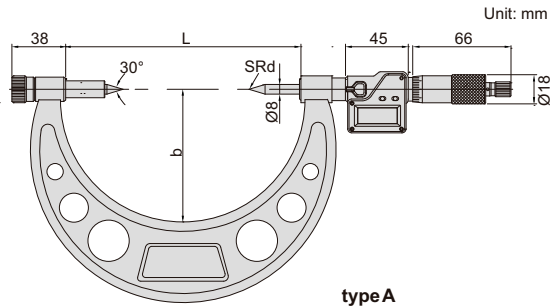
DIGITAL GEAR ROOT DIAMETER MICROMETERS



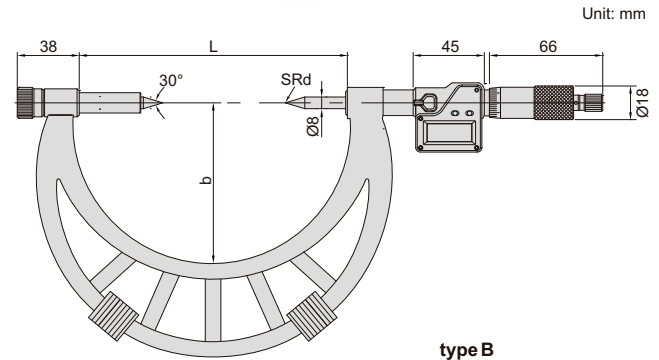
3597-100



3597-300



type A



type B

Unit: mm

(mm)

- Measure diameter of gear root circle
- Resolution 0.001mm/0.0001" (resolution of **3597-100** and **3597-200** is 0.001mm/0.00005")
- IP65 dust/waterproof
- Button function: on/off, set, mm/inch, ABS/INC
- Data output
- Automatic power off
- Ratchet stop
- Carbide measuring faces
- Supplied with setting standards
- Optional accessory: data output cable (code **7315-30**, **7302-30**)

| Code | Range | Type | Accuracy | L | b | SRd |
|-----------------|-----------|------|----------|------|-----|-----|
| 3597-100 | 5-100mm | A | 3µm | 137 | 72 | 0.4 |
| 3597-200 | 100-200mm | A | 4µm | 237 | 129 | 0.5 |
| 3597-300 | 200-300mm | B | 5µm | 414 | 225 | 0.7 |
| 3597-400 | 300-400mm | B | 6µm | 514 | 275 | 0.7 |
| 3597-500 | 400-500mm | B | 7µm | 614 | 325 | 0.7 |
| 3597-600 | 500-600mm | B | 8µm | 714 | 375 | 0.7 |
| 3597-700 | 600-700mm | B | 8µm | 814 | 425 | 0.7 |
| 3597-800 | 700-800mm | B | 9µm | 914 | 475 | 0.7 |
| 3597-900 | 800-900mm | B | 10µm | 1014 | 525 | 0.7 |