

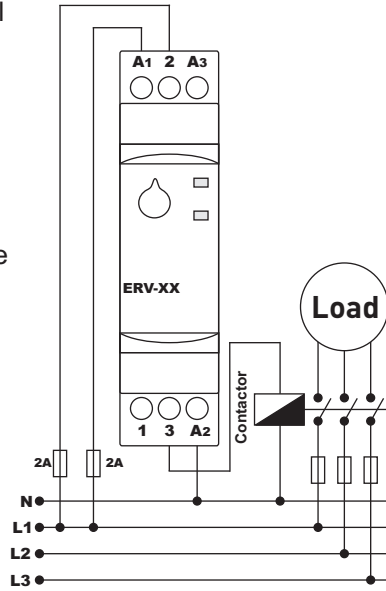
General

ER-XX and ERV-XX timer relays are used in all fields (industry, house, plant etc.) need controls related to the time.

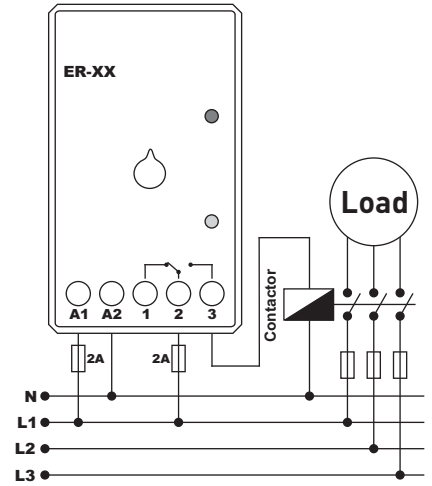
Usage of Device and Working Principle

Please make the connection according to the diagram. Please adjust the delaying time by the button. Energize the device. Device will count the stand by time. On(power) led gets on when the counting occurs, Out(relay) led gets on and off. During this step contact output is (NC)1. After the time is up Out(relay) led gets on constantly and contact out put gets into (NO)3. Untill it is de-energized device remains the same.

Connection diagram for ERV-XX



Connection diagram for ER-XX



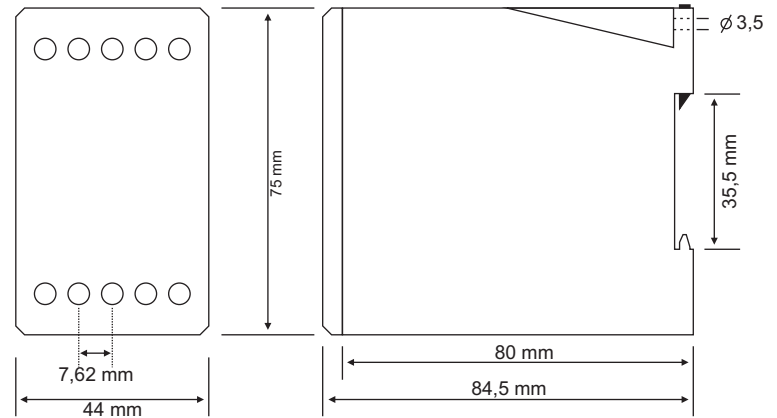
Maintenance

Switch off the device and release from connections. clean the trunk of device with a swab. Don't use any conductor or chemical might damage the device. make sure device works after cleaning.

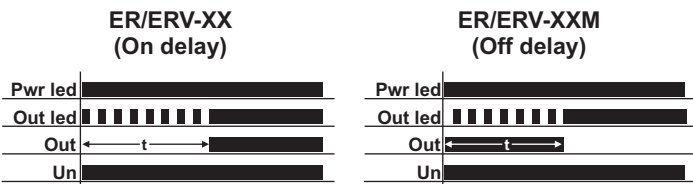
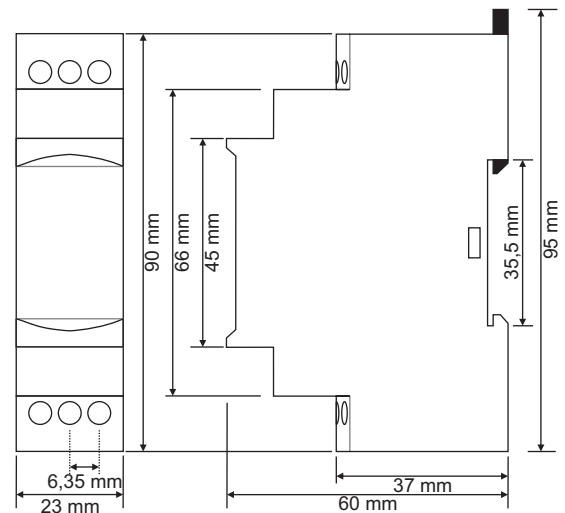
Warnings

Please use the device according to the manual. Don't use the device in wet. Include a switch and circuit breaker in the assembly. Put the switch and circuit breaker nearby the device, operator can reach easily. Mark the switch and circuit breaker as releasing connection for device.

Dimensions for ER-XX



Dimensions for ERV-XX



Technical Specifications:

- Operating Voltage(Un): 150V - 260V AC
- Operating Frequency: 50/60 Hz.
- Operating Power: <4VA
- Operating Temperature: -20°C.....+55°C
- Time(t): 0,1sec. - 60min.
- Display: On led and Out(RLY) led
- Connection Type: Terminal connection
- Weight: Max. 90gr.
- Contact: 5A/250V AC (Resistive Load)
- Mounting: Vertical assembled in the panel or assembled on the din rail
- Operating Altitude: <2000meter
- Cable Diameter: 2,5mm²

Contacts: www.tense.com.tr info@tense.com.tr