

## General Specifications

- $\mu$ P based, digital temperature controller with a single output
- Sensor: T/C, Fe-Const, J Type
- ON-OFF Control form
- Adjustable Hysteresis Value
- Adjustable Upper Limit for SET Value
- Displays SET and Process Values
- Cold-junction compensation for T/C
- Excellent linearity with  $^{\circ}\text{C}/\text{mV}$  look up table
- High accuracy
- EEPROM memory to store settings
- Dimensions: for DT-48E 48x48mm, for DT-36E 36x78mm
- Easy connection with plug-in connectors

## Technical Specifications

- Panel Hole Sizes : for DT-48E 46x46mm, for DT-36E 29x71mm
- Display : 1x3 Digit 7 Segment display
- Measuring Scale : 0  $^{\circ}\text{C}$ ....600  $^{\circ}\text{C}$
- SET Invertal : 0  $^{\circ}\text{C}$ ....600  $^{\circ}\text{C}$  (limited with Up.L value)
- Hysteresis Interval : 0  $^{\circ}\text{C}$ ....50  $^{\circ}\text{C}$
- Sensor : Fe-Const, J type T/C
- Resolution :  $\pm 1$   $^{\circ}\text{C}$
- Accuracy :  $\pm \%0.3$  (Over full scale)
- Control Form : ON-OFF
- Out : Relay (NO + NC), 250VAC, 2A, Resistive Load
- Supply Voltage : 100....240VAC, 50/60 Hz
- Power Cons. : < 6VA
- Line Comp. : 0  $^{\circ}\text{C}$ ....50  $^{\circ}\text{C}$
- Operating Temp. : -20  $^{\circ}\text{C}$ ....55  $^{\circ}\text{C}$
- Altitude : < 2000m
- Failure : Out is OFF in case of sensor failure, measurement out of range or hardware fails to measure input signal.

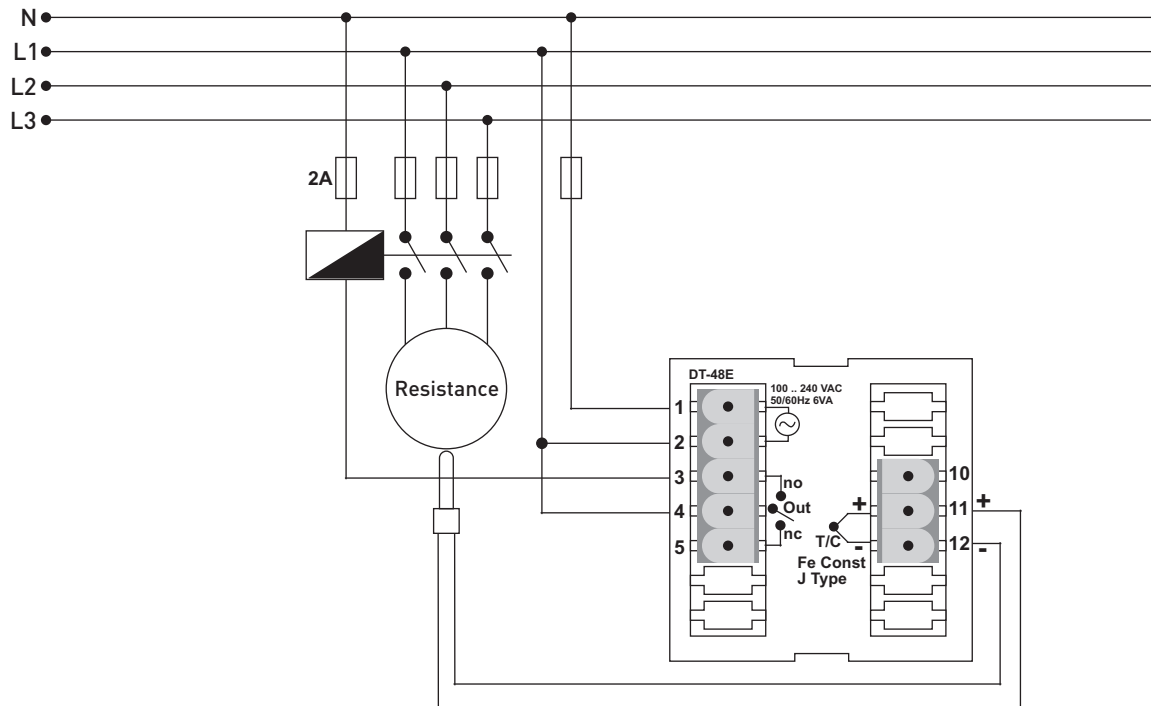
## Error Message

- or : Displays "or" message in case of sensor failure, measurement out of range or hardware fails to measure input signal

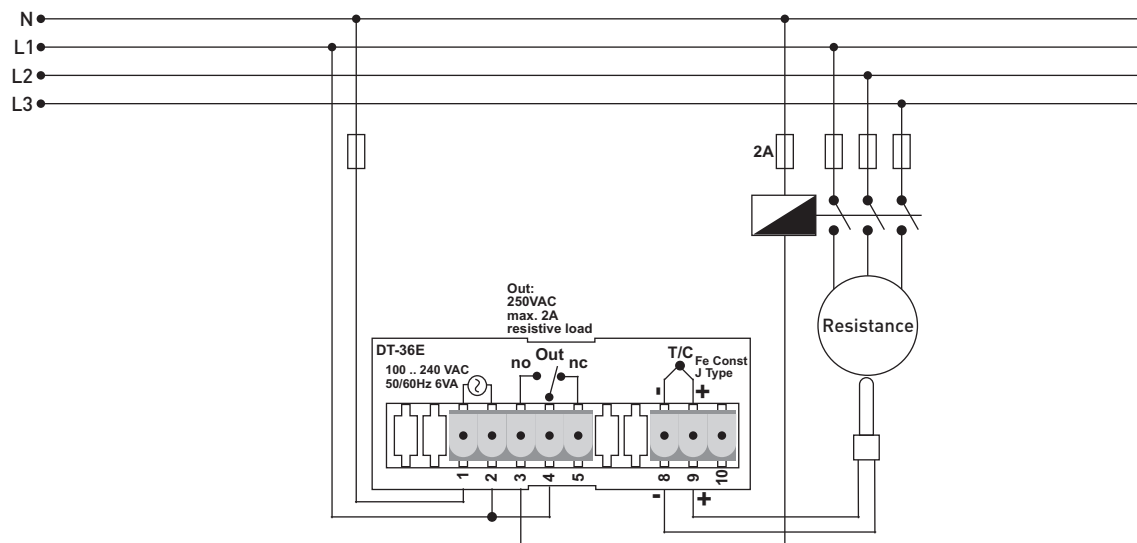
### **Warning:**

- Use shielded and twisted signal cables and connect shield to ground on device side. Use correct compensation cables for T/C sensors. Correct T/C cable directly to the device connectors. Keep all signal cables away from circuit breakers, devices/cables emitting electrical noise and power cables.
- Take precautions against environmental conditions like humidity, vibration, pollution and high/low temperature during installation.
- Use a fuse (slow 250mA 250VAC) on supply input of the device. Use appropriate cables for supply connections. Apply safety regulations during installation.

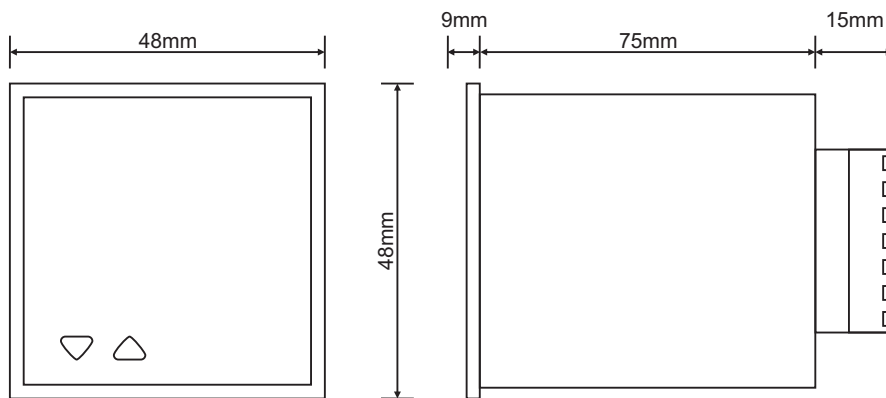
**Connection (for DT-48E):** .....



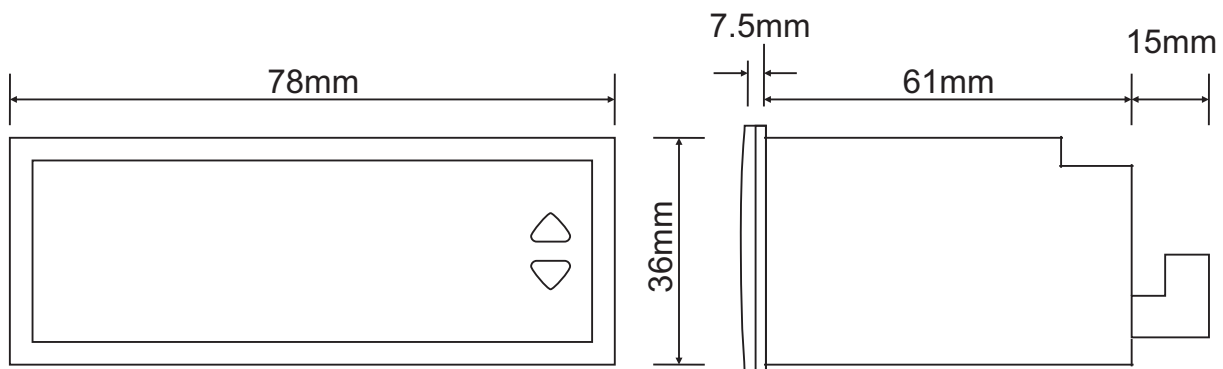
**Connection (for DT-36E):** .....



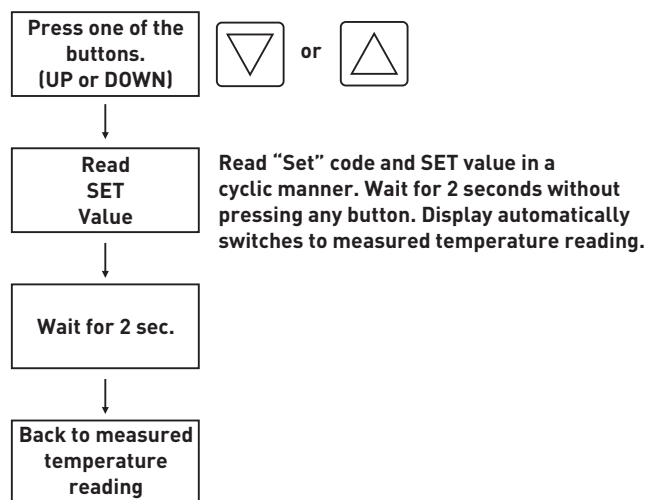
**Dimensions (for DT-48E) :** .....



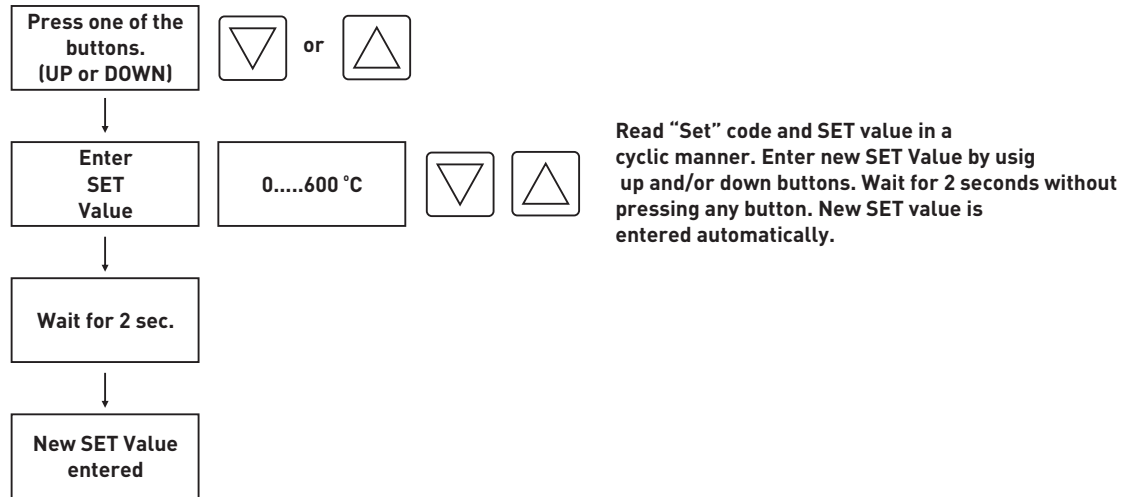
**Dimensions (for DT-36E) :** .....



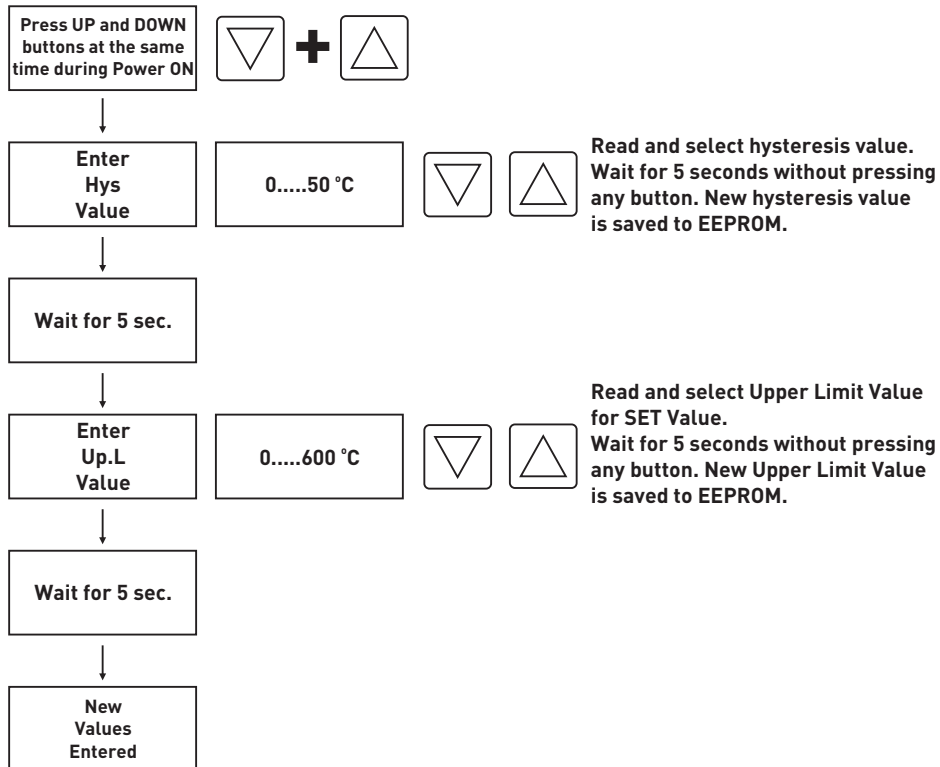
**Reading SET Value:** .....



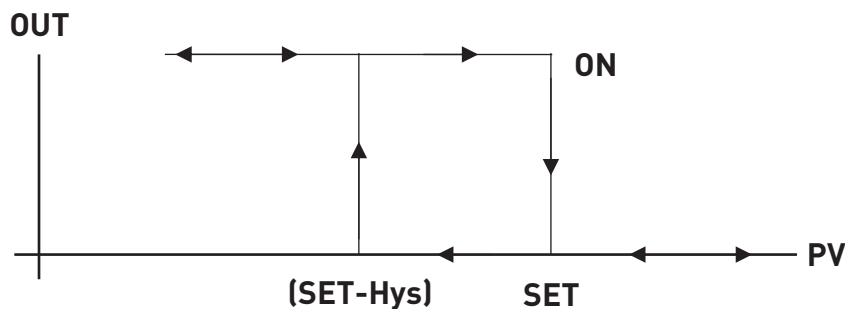
## Adjusting SET Value:



## Adjusting Hysteresis and Upper Limit Values



## OUT; Control Form (ON-OFF):



OUT relay is OFF when process value (PV) is greater than or equal to SET value.  
 OUT relay is ON when PV is less than or equal to (SET-Hys) value.