

General

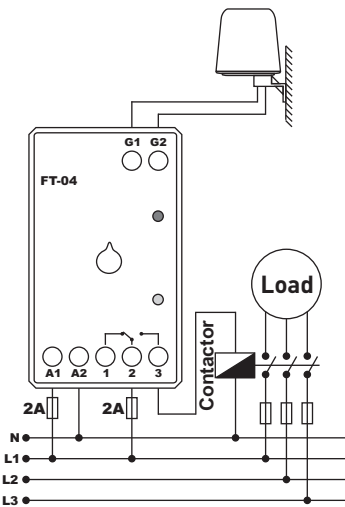
It is designed to use for the systems witch controlled by intensity light.

Usage of Device and Working Principle

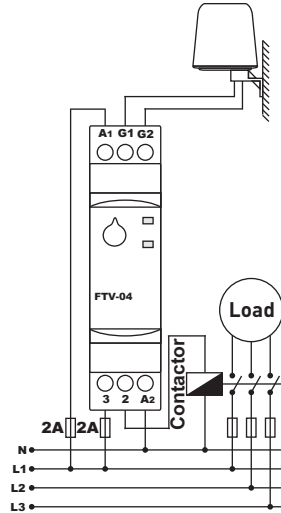
FT/V-04/FT-GR: Give power after making the connections according to the diagram. If ambient light intensity is lower than adjusted, device waits till end of adjusted delay time, relay pulls and relay led switches on. If ambient light intensity is more than adjusted, device waits till end of delay time, relay releases end relay led switches off.

Note: do not amount the sensor to the places which Make negative effect to light intensity. For instance street lights, car's headlight, lighted billboards etc.

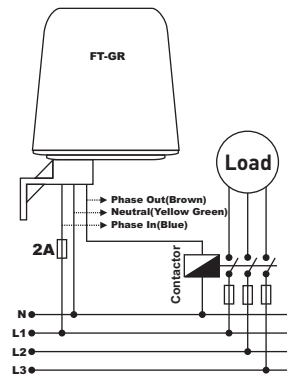
Connection diagram for FT-04



Connection diagram for FTV-04



Connection diagram for FT-GR



Maintenance

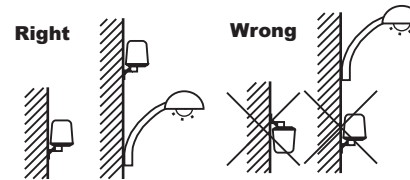
Switch off the device and release from connections. Clean the trunk of device with a swab. Don't use any conductor or chemical might damage the device. Make sure device works after cleaning.

Warnings

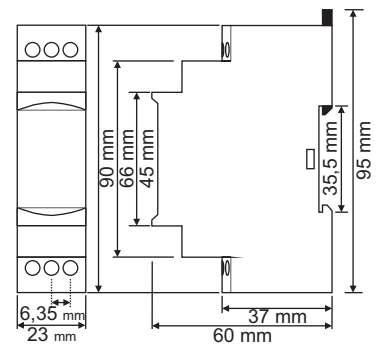
- Please use the device according to the manual.
- Don't use the device in wet.
- Include a switch and circuit breaker in the assembly.
- Put the switch and circuit breaker nearby the device, operator can reach easily.
- Mark the switch and circuit breaker as releasing connection for device.

Technical Specifications:

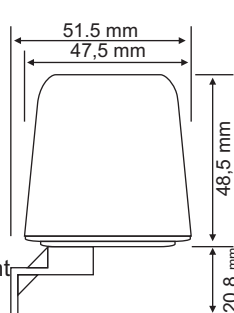
- Operating Voltage(Un).....: 220V AC
- Operating Frequency.....: 50/60 Hz.
- Operating Power.....: <4VA
- Operating Temperature.....: -20°C.....+55°C
- Lux Measurement Range.: 1 Lux - 10Lux
- Waiting.....: 20sec. - 60sec.(fixed)
- Connection Type.....: Terminal connection
- Contact.....: 5A/250V AC, 7A/250V AC 1500W(FT-GR) (Resistive Load)
- Cable Diameter.....: 2.5mm², 1mm² (FT-GR)
- Weight.....: 100gr.
- Mounting.....: Vertical assembled in the panel or assembled on the din rail. Vertical mounting to the Sunlight existed places.(FT-GR)
- Operating Altitude.....: <2000meter



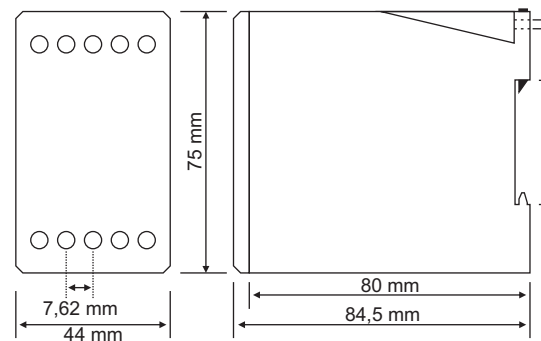
Dimensions for FTV-04



Dimensions for FT-GR



Dimensions for FT-04



Document Number: DK-005-3

Contacts: www.tense.com.tr info@tense.com.tr