

Autoclave

Poleax Series

The autoclaves are constructed with both Microprocessor and Traditional Mechanical designs expect SA-230. They offer advantages such as power conservation, water conservation and reduced maintenance due to less parts. Control panels are designed with simple controls for basic sterilization tasks.



Reliable Sterilization Partner

STURDY
APEX GROUP

Autoclave

Poleax Series

Features

- EZ Control panel
- EZ maintenance
- Overheat protection
- Pressure overload protection
- Pressure safety valve
- Door safety latch (SA-232X only)
- Pressure auto door lock (SA-232X only)
- Chamber volume: 16 L



Reliable Sterilization Partner

STURDY
APEX GROUP

Autoclave

Poleax Series

SA-230 External View

A Exhaust Valve



B Sterilization Timer



C Pressure Gauge



Reliable Sterilization Partner

Autoclave

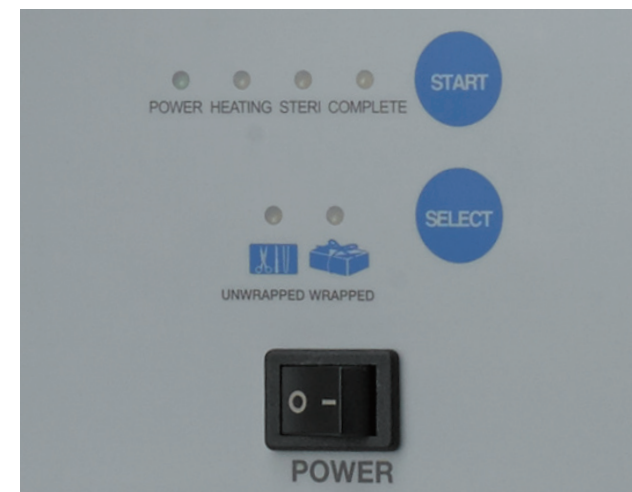
Poleax Series

SA-232 External View

A Exhaust Valve



B Control Panel



C Pressure Gauge



Reliable Sterilization Partner

Autoclave

Poleax Series

SA-232X External View

A Door Knob



B Filling / Draining Water Valve



Autoclave

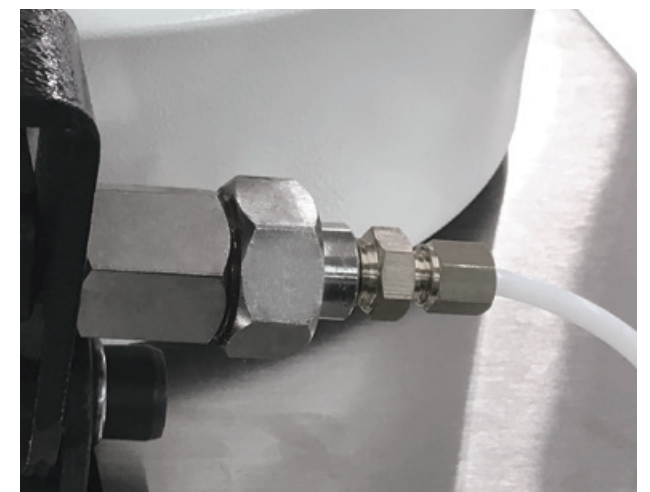
Poleax Series

SA-232V External View

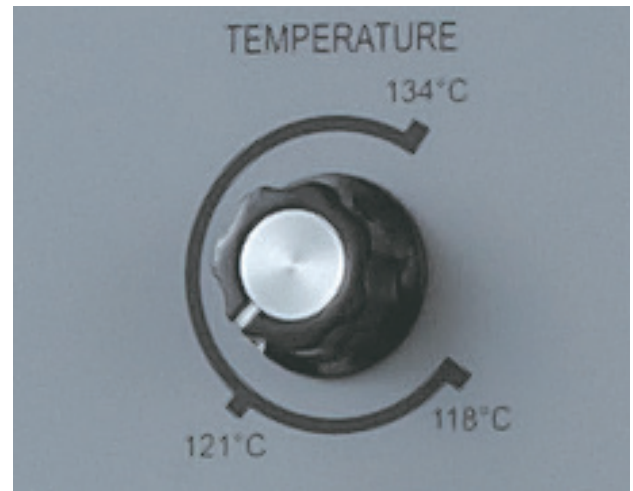
A Screw Knob



B Pressure Door Lock



C Temperature Knob



D Exhaust Knob



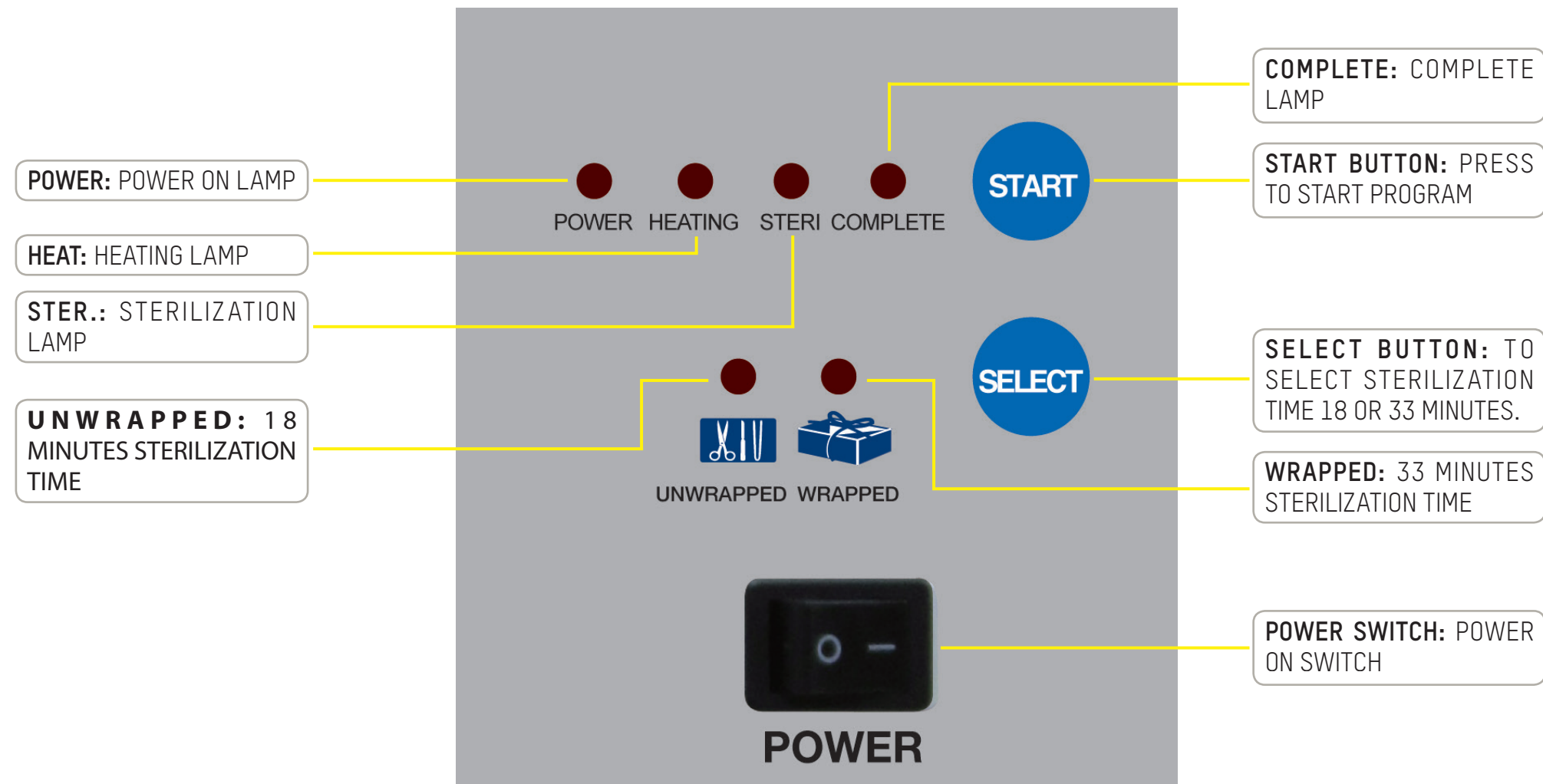
Reliable Sterilization Partner



Autoclave

Poleax Series

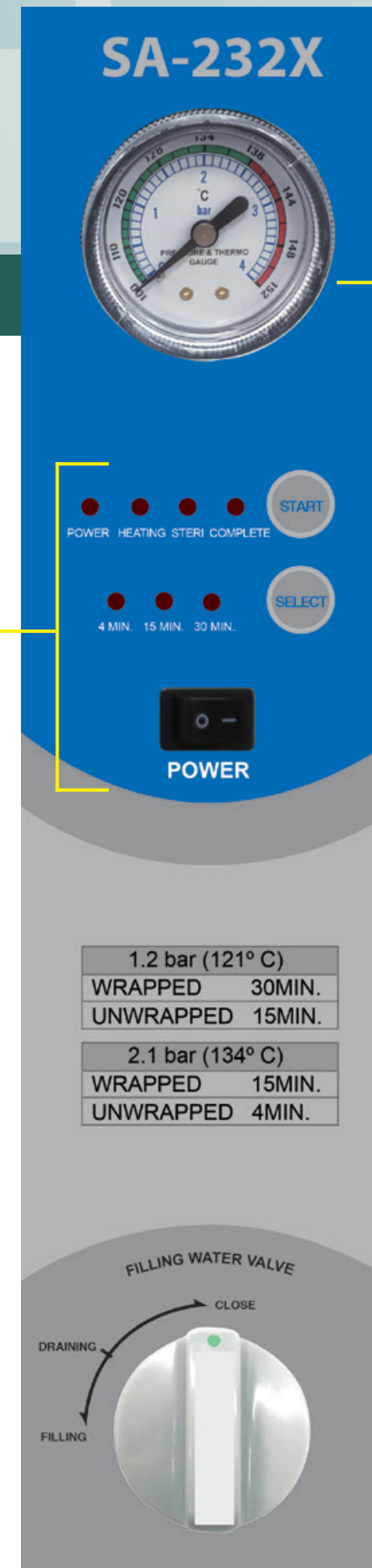
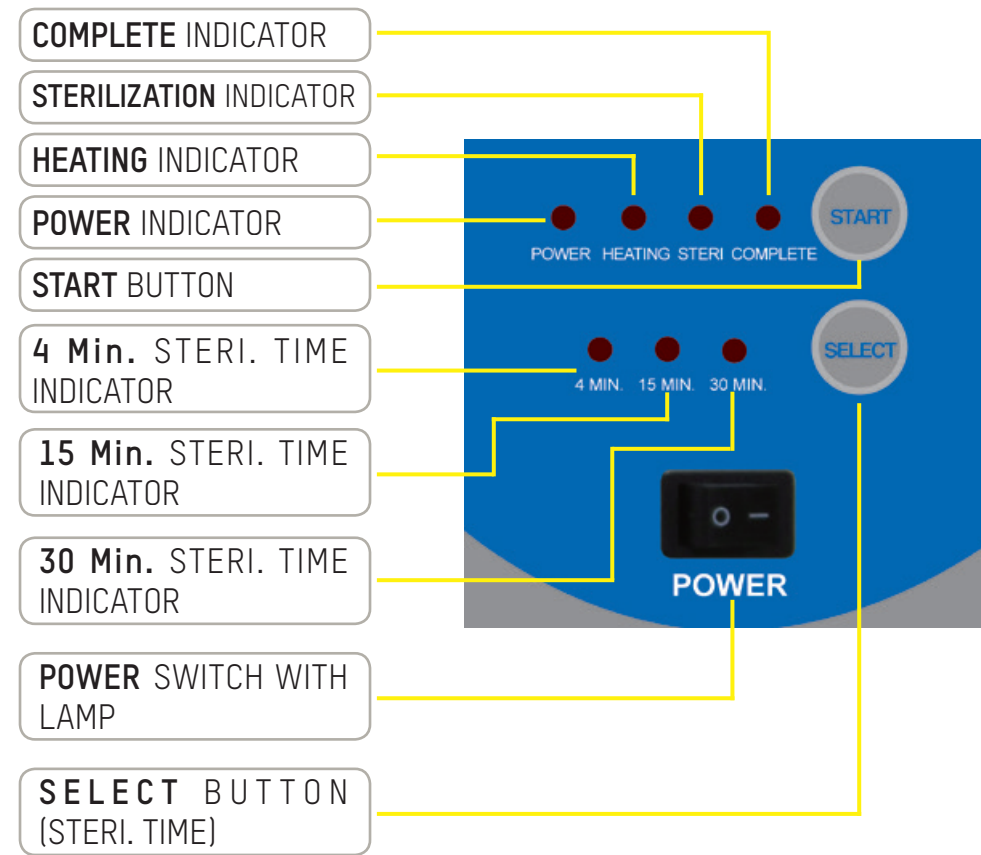
SA-232 Control Panel



Poleax Series

SA-232X Control Panel

Autoclave



PRESSURE GAUGE

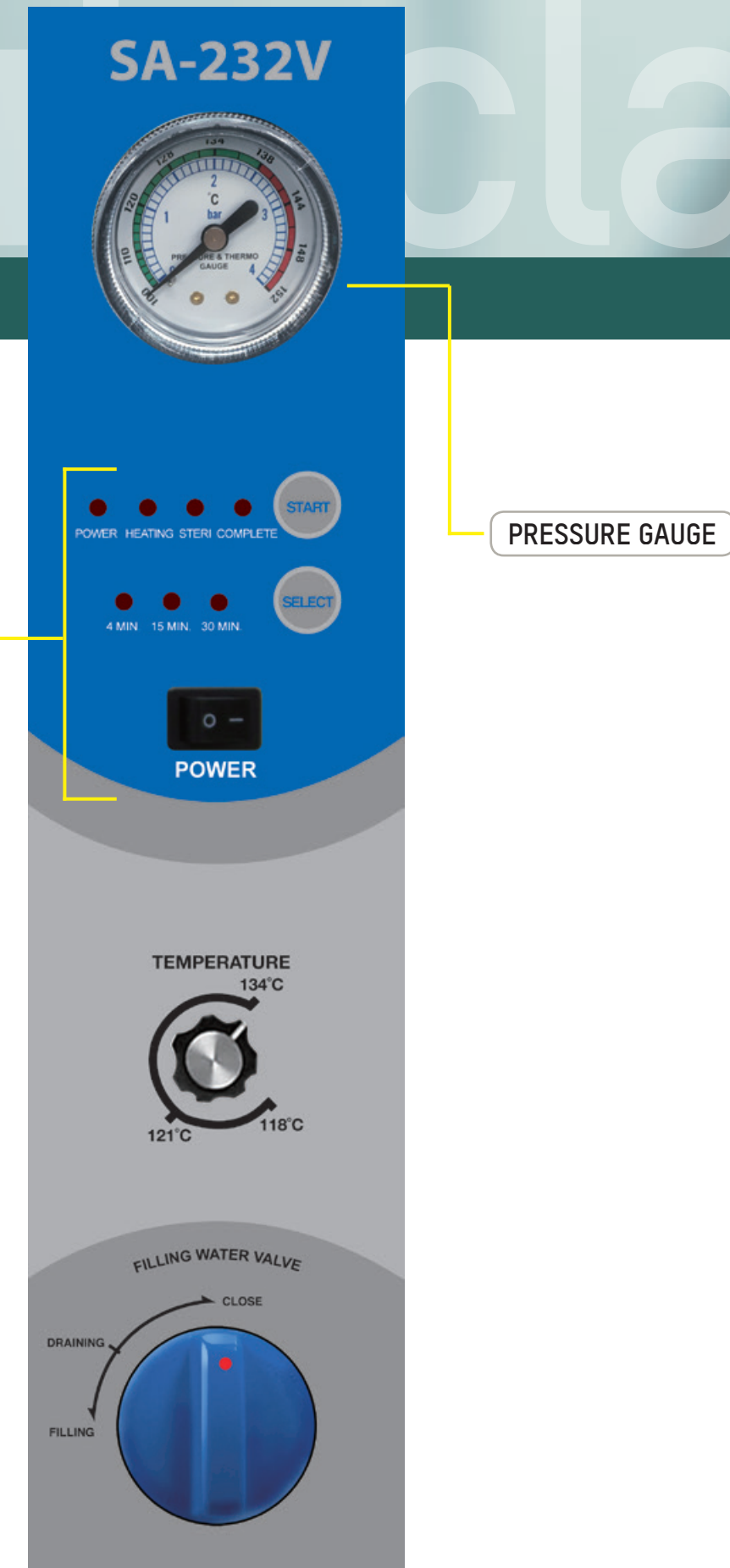
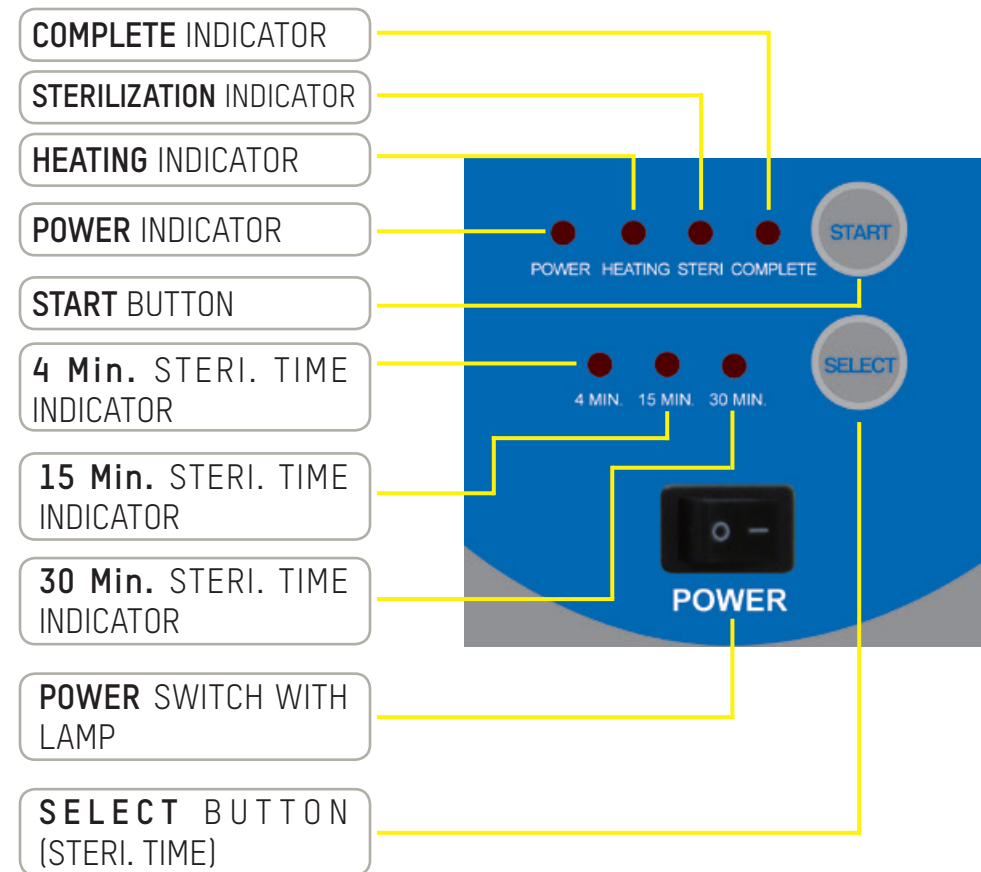
1.2 bar (121° C)	
WRAPPED	30MIN.
UNWRAPPED	15MIN.
2.1 bar (134° C)	
WRAPPED	15MIN.
UNWRAPPED	4MIN.



Poleax Series

SA-232V Control Panel

Autoclave



Reliable Sterilization Partner

Autoclave

Poleax Series

Certifications

Sturdy is manufactured in compliance with the following directives and standards:

- 93/42/EEC
- Class IIB (European Directive for Medical Devices)
- 2014/68/EU (Pressure Equipment Directive)
- EN 285 (Large Steam Sterilizers),
- EN 13060 (Small Steam Sterilizers)
- EN 61010-1/-2-040 (Safety Requirements for Electrical Equipment for Measurement Control And Laboratory Use – Part 1 and Part 2)
- EN 61326-1 (Electrical Equipment for Measurement Control And Laboratory Use – EMC Requirements – Part 1: General Requirements)
- ISO 13485 (Quality Management/Certification)

Autoclave

Poleax Series

Specifications

SPEC/Model NO.	SA-230	SA-232	SA-232X	SA-232V
Chamber Capacity (L)	16			
Chamber Size Diam x Depth (mm)	230 x 410			
Overall Dimensions W x H x D (mm)	335 x 430 x 510		501 x 406 x 537	382 x 614 x 398
Voltage (V)	230	230 / 110		230
Current(A) / Power(W)	7A / 1400W	7A / 1400W (230V) 11A / 1200W (110V)		5.3A / 1200W
Heater (W)	1400	1400 / 1200		1200
Dry Heater (W)	N/A			
Net Weight (Kg)	15.5		30	23.5
Water Fill*	Manual		Tank-Man	Manual
Type	Tabletop			Vertical
Water Tank Capacity (cc)	N/A		4200	N/A
Water Consumption per cycle (cc)	350-400		300-450	

* "Tank-Man" - Contains water tank but still requires knob to be manually turned on/off to fill chamber.

"Manual" - Must add water manually for each session.

Autoclave

Poleax Series

Specifications

SPEC/Model NO.	SA-230	SA-232	SA-232X	SA-232V
Temperature Options (°C)	126		118-134	
Sterilization Timer	0-60 min.	18, 33 min.	4, 15, 30 min.	
Temperature Indicator	Gauge			
Pressure Indicator	Gauge			
Power Indicator	S			
Liquid	N/A	S		
Progress Indicator (bar or lights)	N/A	S		
Program Selector	N/A	S		
Pressure Auto Lock	N/A		S	0
Prion	N/A			
Bowie Dick Test	N/A			
Pump Test	N/A			
Dry Timer	N/A			
Redry	N/A			
Data Recorder	N/A			
Door Closed Indicator	N/A			
Low Water Indicator	N/A			
Reset	N/A			
Error Indicator	N/A			
Pre-Vacuum	N/A			
Post Dry Vacuum	N/A			

Note: "S" - Standard configuration. "0" - Optional configuration.