



































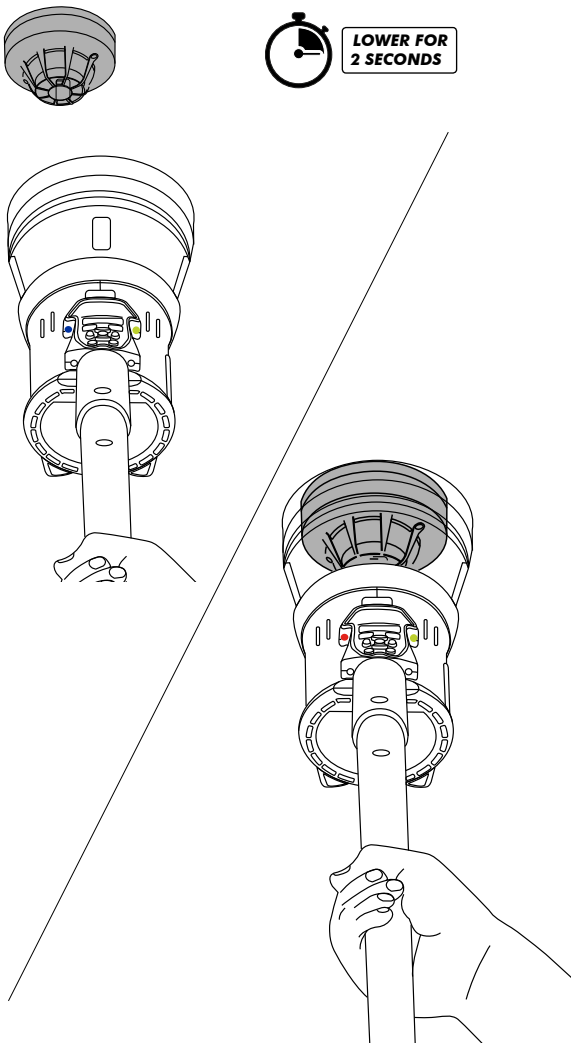






## 4

When the detector is activated, remove Testfire by lowering it gently. After 2 seconds raise again to begin the heat test

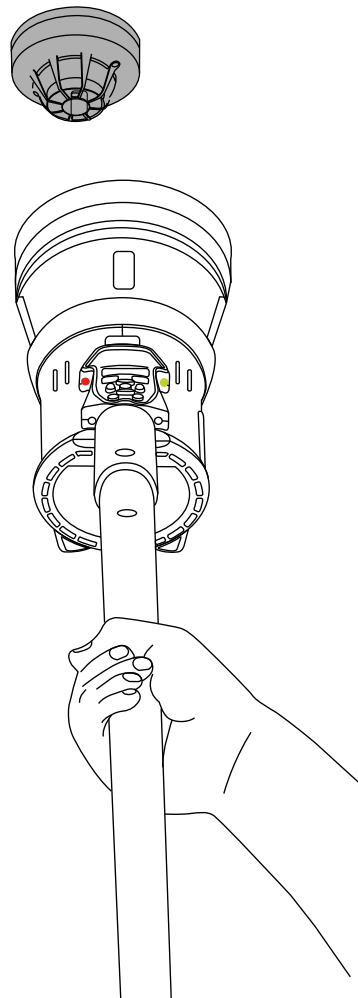


### NOTE

If the detector does not re-enter the cup within 10 seconds, the test sequence will reset and return to the first test of the programmed sequence.

## 5

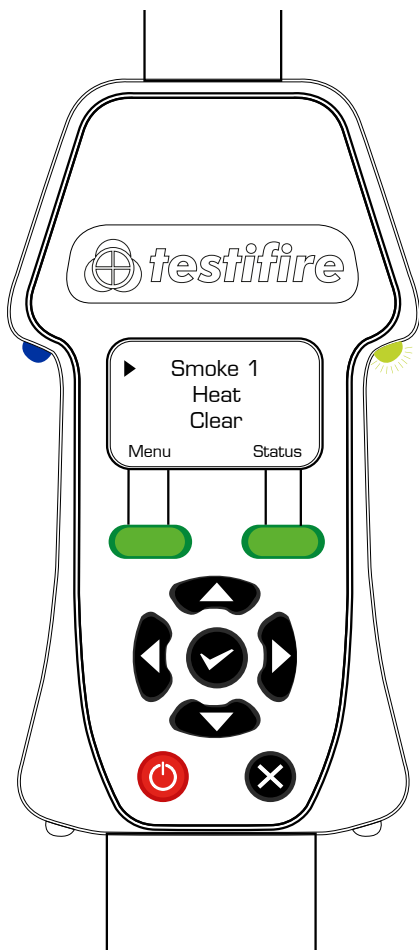
Lower Testfire once the heat test has completed. Testfire will return to idle.



### 6.3 SMOKE TEST + CLEAR + HEAT TEST

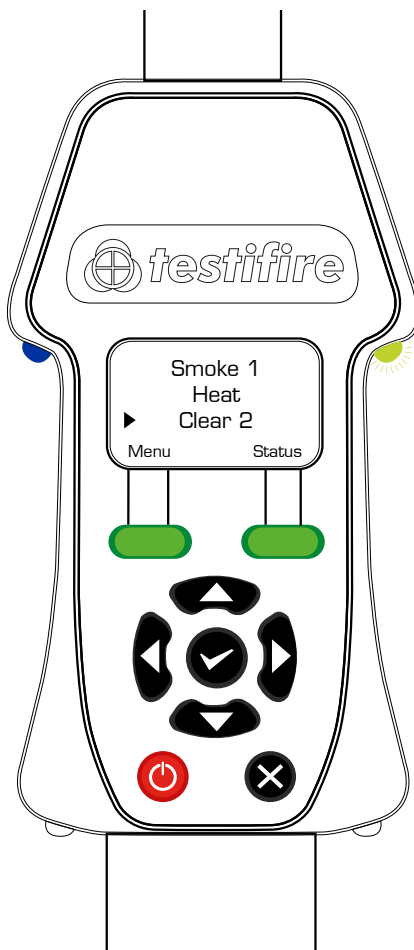
**1**

Select smoke test from the main menu by moving the cursor to smoke. Press the enter key to select smoke.



**2**

Move the cursor down to clear and press the enter key to select.



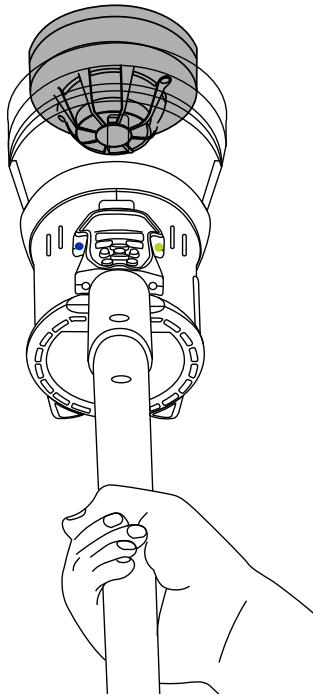
**3**

Move the cursor to heat and select. All three tests are now programmed and ready to begin.



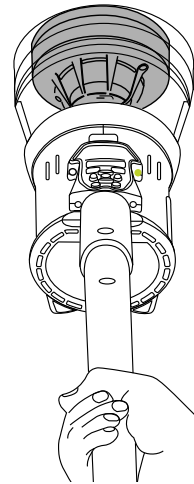
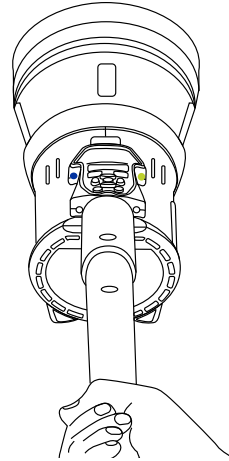
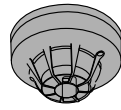
# 4

The initial smoke test will begin automatically when the head unit is placed over the detector. Breaking the infrared beam.



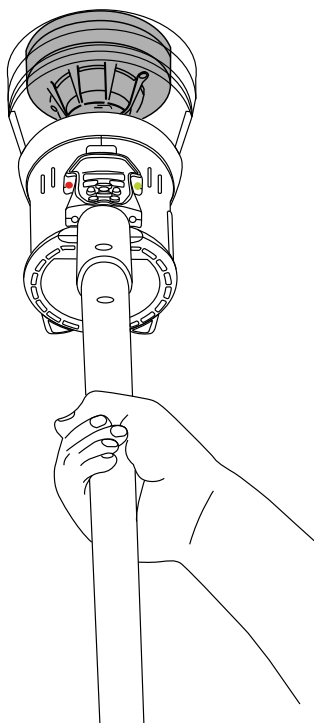
# 5

When the detector is activated, remove Testifire by lowering it gently. After 2 seconds raise again to begin clearing



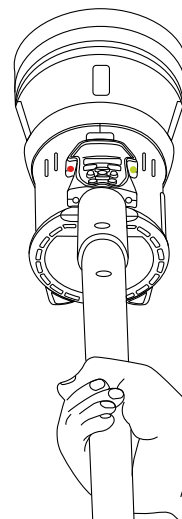
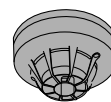
# 6

Raise Testifire after desired clearing time to begin the heat test.



# 7

When the detector is activated, remove Testifire by lowering it gently. Testifire will return to idle ready for the next detector.



# 7 SIMULTANEOUS TESTING/ MULTI-SENSOR TESTING

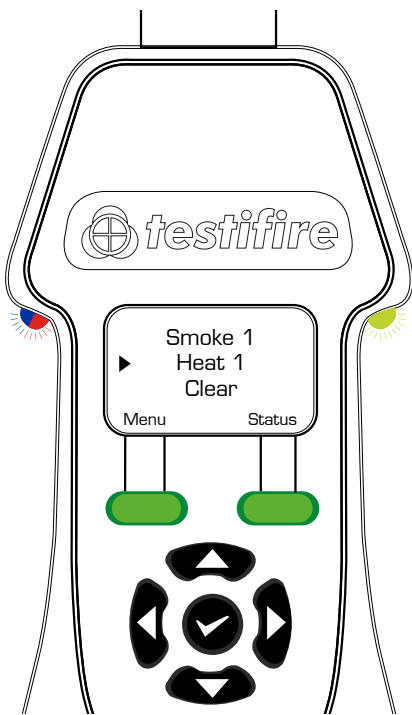
Using Testifire to carry out a Simultaneous Test means that a number of operations (Smoke, Heat) can be pre-programmed into the unit before it is raised up to the detector. This saves time, reduces handling and enables the testing of certain multi-sensor detectors if they are so enabled.

## 7.1 SMOKE/HEAT

**1**

Select smoke test from the main menu by moving the cursor to smoke. Press the enter key to select.

Move the cursor to heat and press the enter key **Twice** to select. (Indicated by the number **1** beside it)



**NOTE**

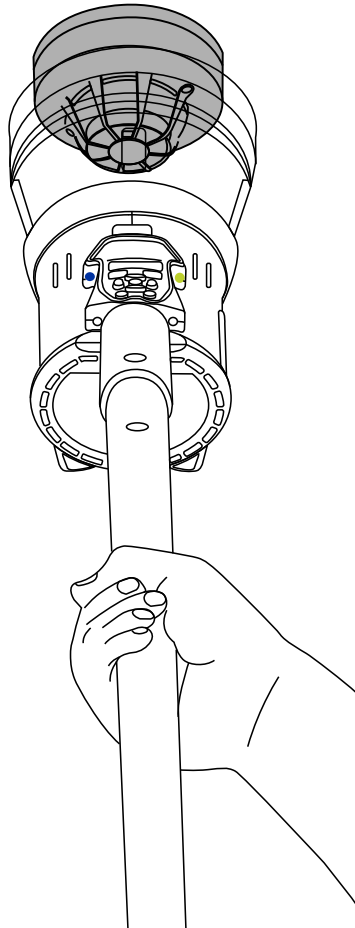
The test LED will alternate the colour of all selected test modes when selected for a simultaneous test.

**NOTE**

To delete a simultaneous test setup, simply press the escape key to cancel your selection.

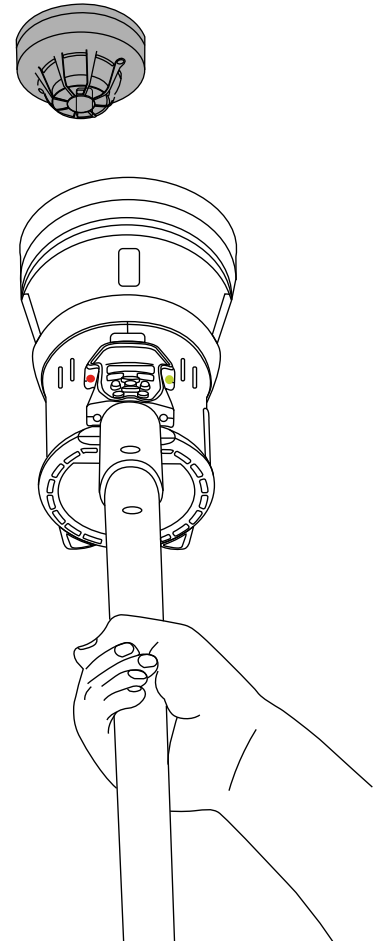
**2**

Raise Testifire over the detector. Smoke and heat are tested at the same time in a simultaneous test.



**3**

Once the alarm is triggered lower Testifire. Testifire will return to idle with the same settings - ready for the next simultaneous test.



**NOTE**

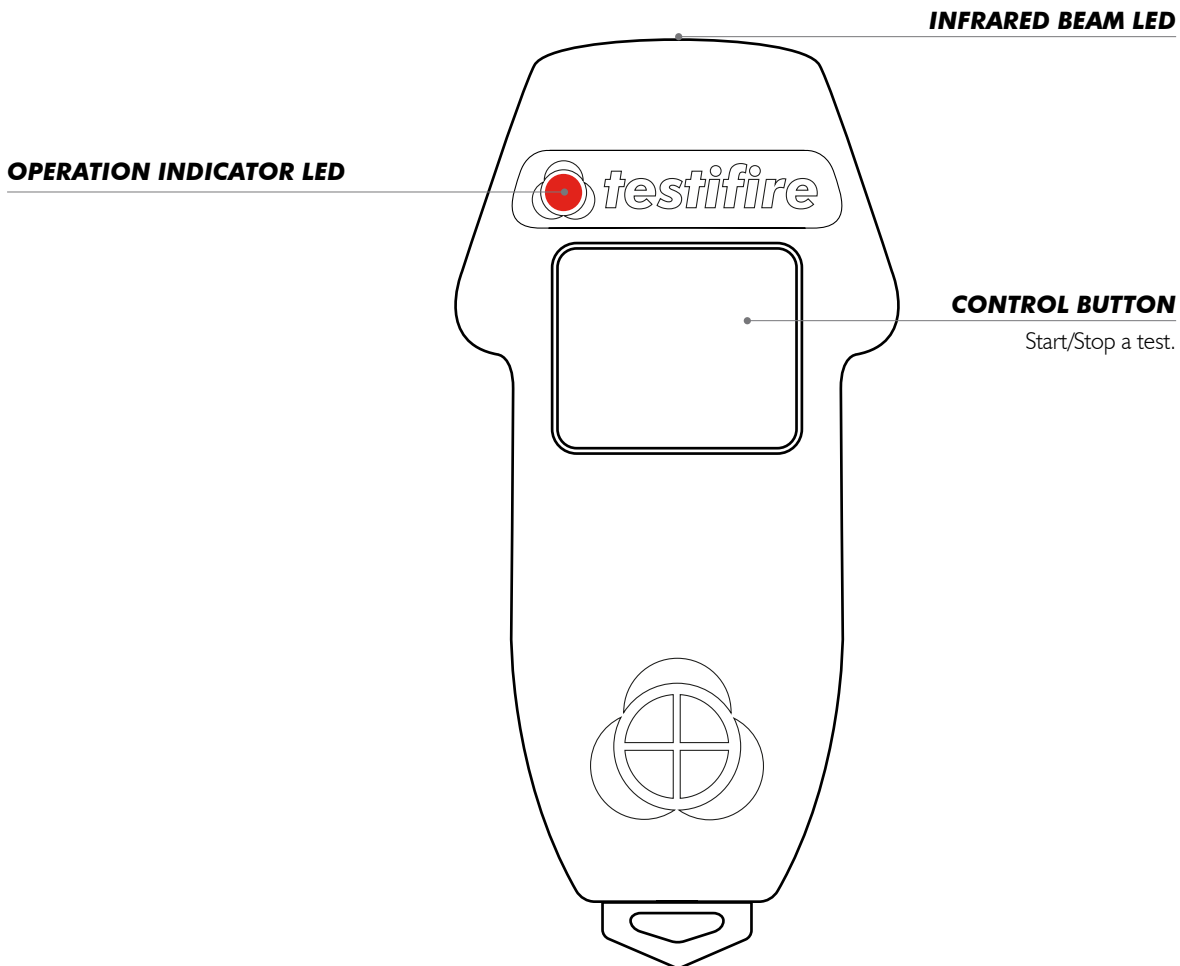
Depending on the detection system being tested, there may be no individual indication of the activation of the separate sensors in the detector. The system may activate on one sensor only.

# 8 TESTIFIRE INFRARED REMOTE CONTROL (AVAILABLE SEPARATELY)

## 8.1 TESTIFIRE 25

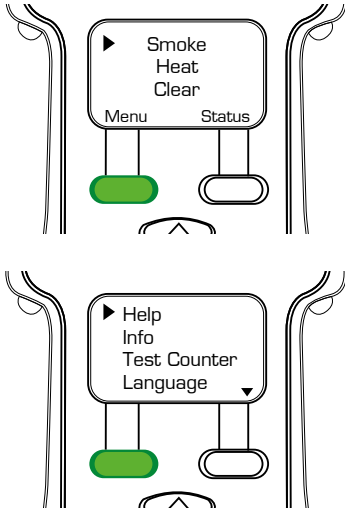
Some types of detector may not automatically initiate a test as they enter the clear cup of Testifire. The Infrared Remote Control can be used to manually start a test, and/or move on to the next test in the sequence. Aim the infrared beam LED at the Testifire head unit when it is at height and use the operation button on the Infrared Control Unit to start/stop a test.

The Infrared Control Unit is powered by two AAA batteries which can be replaced by opening the panel located on the back of the unit.



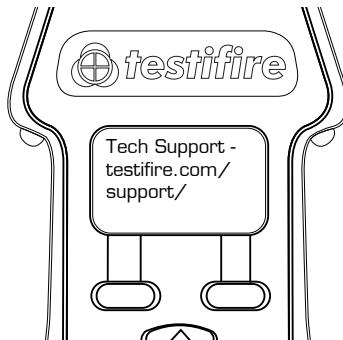
# 9 SETTINGS

Press the menu key to enter the sub menu.



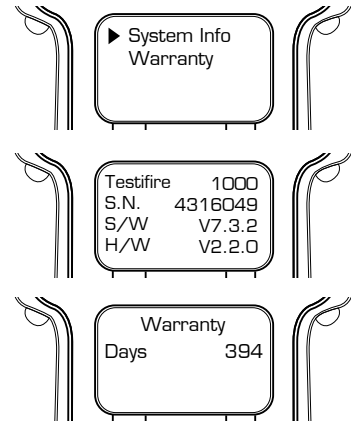
## ▶ HELP

Find further information on the website or contact Testifire support by emailing [support@detector testers.com](mailto:support@detector testers.com)



## ▶ INFO

System information will display the Model, Serial Number, Software Version and the Hardware Version. Warranty information can also be viewed.



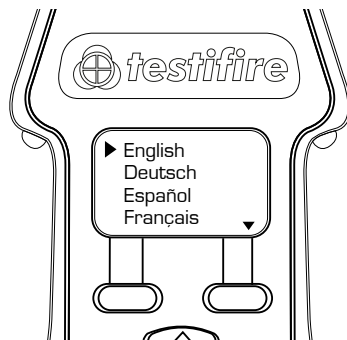
## ▶ TEST COUNTER

Display the number of tests performed by each test method. You can reset the counters by pressing the menu key.



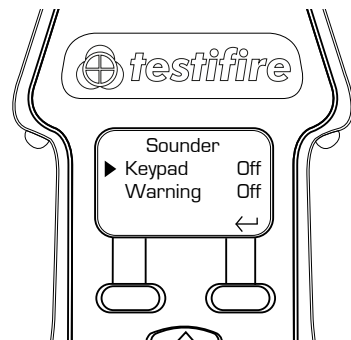
## ▶ LANGUAGE

Change or Select the system language. You will be prompted to select the system language when powered on for the first time or after a System Rest is carried out.



## ▶ SOUNDER

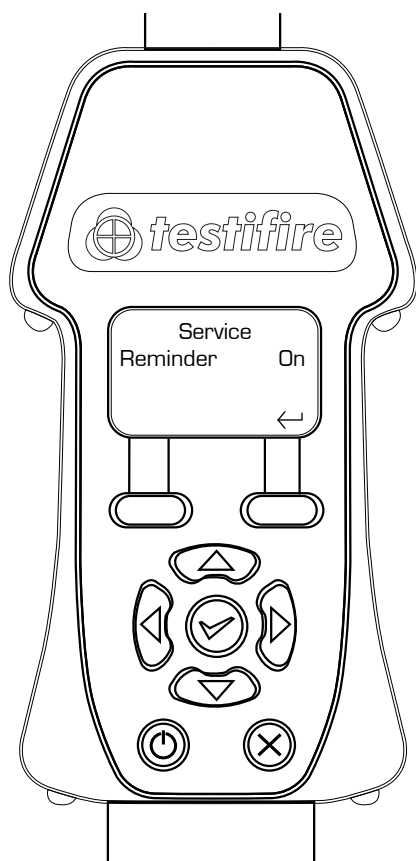
Enable or disable the keypad and warning sounders. The sounders will be reset if a System Reset is carried out.





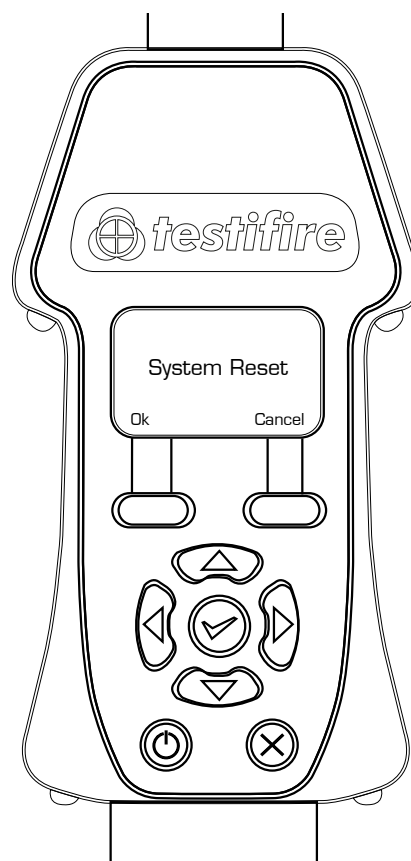
► **SERVICE**

By default Testfire will notify the user when a Service is due or over due. (Currently 24 months after first switch-on.) If required the Service reminders can be turned off. If a message on the screen shows 'Service Required', but the unit is working, then disable the reminder and continue using your Testfire.



► **SYSTEM RESET**

Restore Testfire to factory default settings. A System Reset will remove all user customisable settings, including programmed test sequences, the timer and selected language.



# 10 REMOVING & REPLACING CONSUMABLES

## NOTE

Consumables can be replaced in the field without having to return the unit for service. Ensure that the unit is switched off during the replacement of consumables.



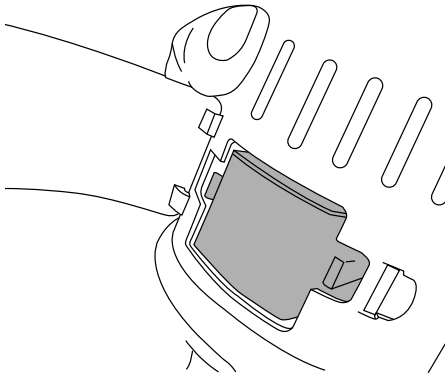
## CAUTION

DO NOT TOUCH THE CONTACTS ON THE PCB ON THE CAPSULE.

### 10.1 REMOVING THE SMOKE CAPSULE

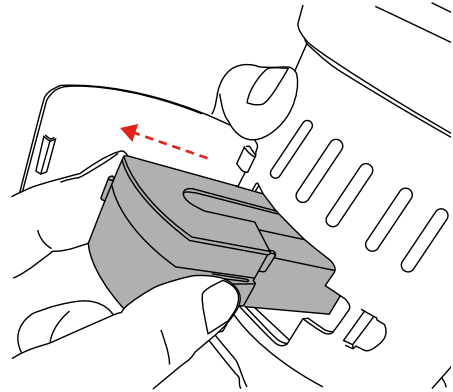
**1**

Open the access cover on the body of the Testfire.



**2**

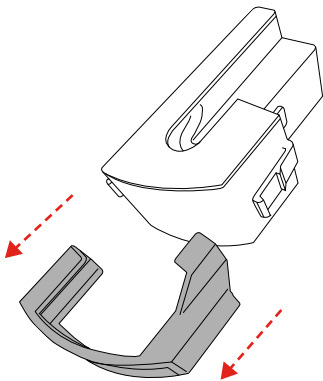
Squeeze the two clips on each side of the used capsule and gently pull the capsule out.



### 10.2 REPLACING THE SMOKE CAPSULE

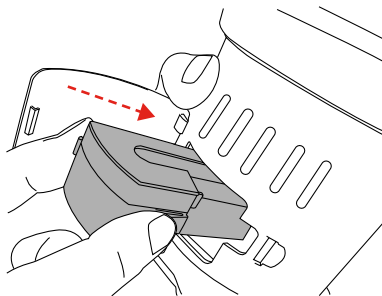
**1**

Remove the spring clip protector cap from the capsule.



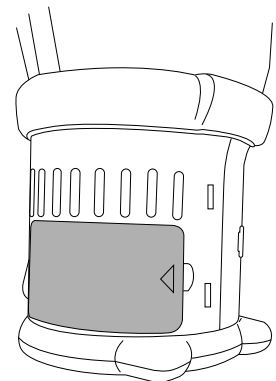
**2**

Holding the capsule by the spring clips with the label on the underside, insert the capsule. Ensure that the clips spring out positively on both sides of the capsule to engage correctly with the port.



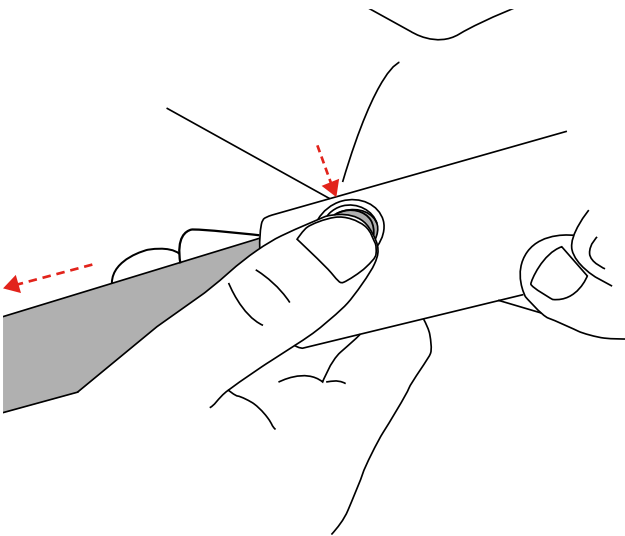
**3**

Close the access cover securely.



### 10.3 REMOVING THE BATTERY

Hold the Testfire head unit by the handle. Press the upper spring button on the Battery Baton to release the battery and slide the out of the handle.



### 10.4 REPLACING THE BATTERY

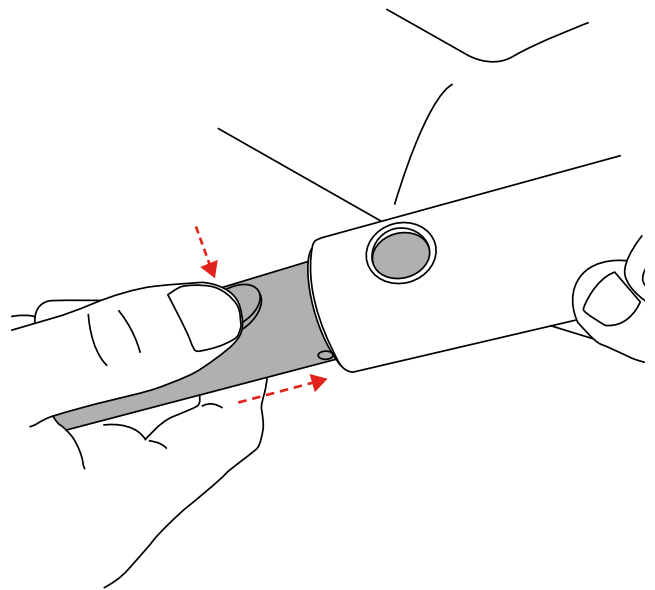


#### **CAUTION**

ENSURE CORRECT ORIENTATION WHEN INSERTING THE BATTERY BATON INTO TESTIFIRE. DO NOT USE UNDUE FORCE TO INSERT. REMOVE BATTERY FROM TESTIFIRE WHEN NOT IN USE.

Hold the Testfire head unit by the handle and press the upper spring button on the Battery Baton. Align the button with the location hole in the handle and push the Battery Baton into the handle until the button springs up through the hole.

Insert the other end of the Battery Baton into the Solo access pole and press the lower spring button. Align it with the location hole and push the Battery Baton further into the pole until the button springs up through the hole.



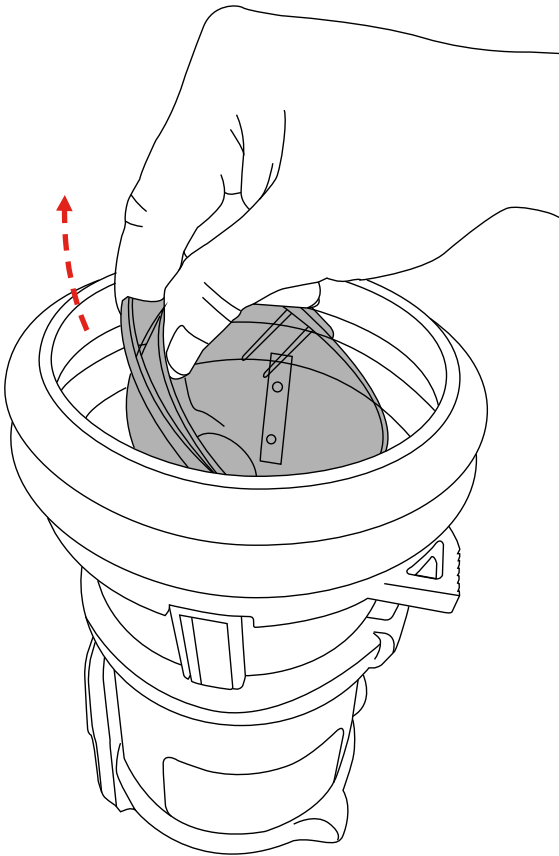
#### **NOTE**

Always make sure buttons lock securely. Do not use if there is any damage to the Testfire battery or poles.

# 11 REMOVING & REPLACING SPARES

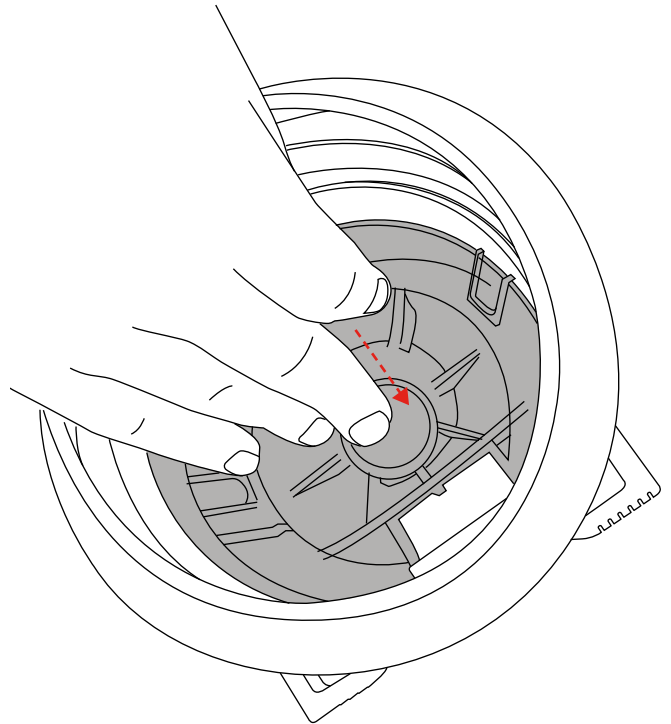
## 11.1 REMOVING THE CLEAR CUP

Hold the clear cup using the cut-out, and pull up firmly.



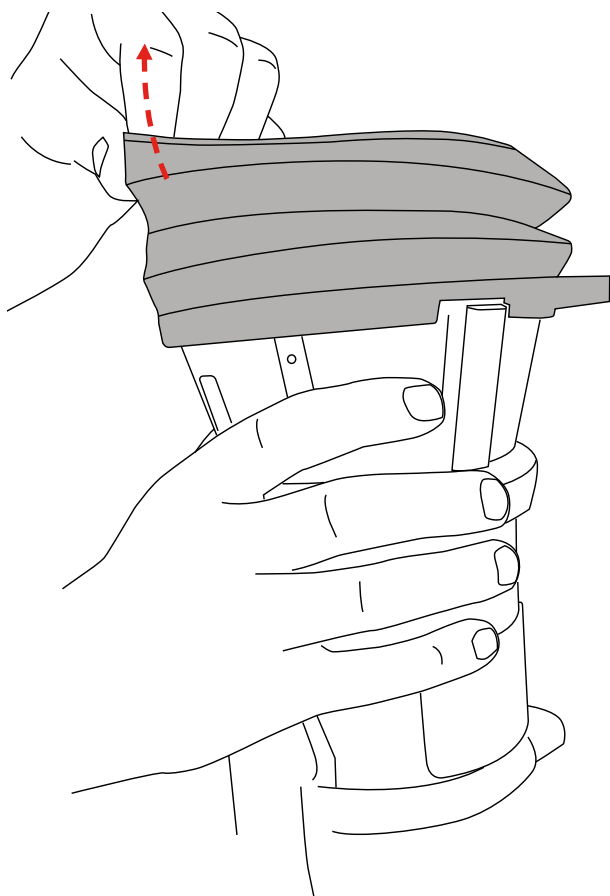
## 11.2 REPLACING THE CLEAR CUP

Line the cup with the rectangular cut-out in line with the smoke/heat duct. Press the cup down from the middle until it clicks into place.



### 11.3 REMOVING THE MEMBRANE

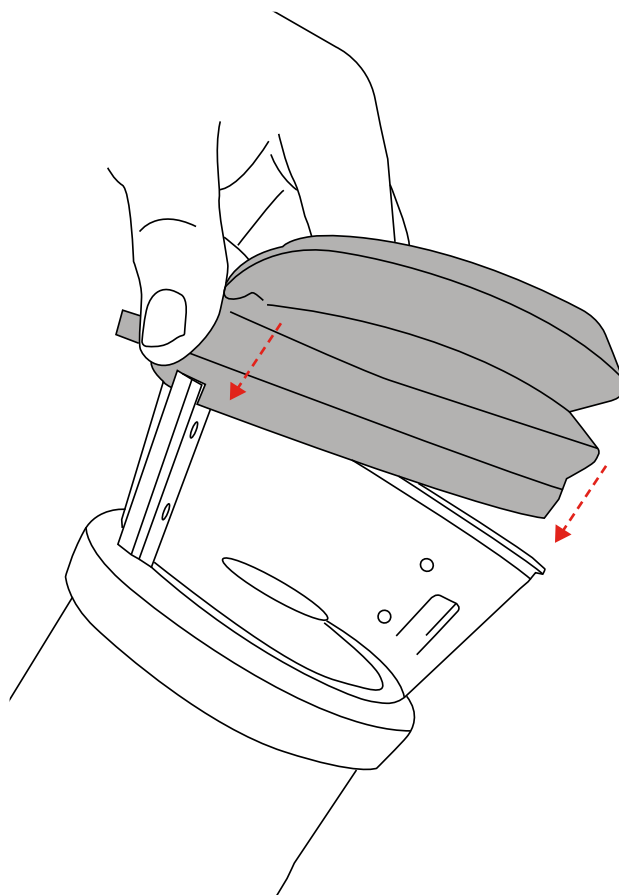
Pull the membrane upwards to remove.



### 11.4 REPLACING THE MEMBRANE

Line up the membrane with the two flat supports nearest the smoke/heat duct. Work the membrane round the plastic cup, making sure the cup fits into the slot in the membrane.

Finally, pull the membrane over the last edge of the cup.



# 12 CONSUMABLES & ACCESSORIES

Use only approved accessories that are recommended by the manufacturer for your Testifire model.

Testifire does not contain any field serviceable parts. The following spare and consumable parts are available to order from your distributor.

Ordering Information	
TS3 Smoke Capsule 3 pack	TS3-3PACK-001
TS3 Smoke Capsule 6 pack	TS3-6PACK-001
Membrane	SPARE-1049-001
Inner Cup	SPARE-1048-001
Battery Baton	Solo 770-001
Charger	Solo 727-001
Testifire 25 Infrared Remote Control	Testifire 25-001

Additional Items	
Solo 100 Telescopic Access Pole	Solo 100-001
Solo 101 Extension Pole	Solo 101-001
Solo 110 Urban Telescopic Pole	Solo 110-001
Solo 111 Urban Extension Pole	Solo 111-001
Solo 200 Universal Detector Removal Tool	Solo 200-001
Solo 611 Urban Backpack	Solo 611-001
Solo 610 Protective Bag	Solo 610-001

Kits	
Testifire 1001 Test Kit	Testifire 1001-001
Testifire 1001-I Test Kit	Testifire 1001-I-001
Testifire 6001 Test Kit	Testifire 6001-001
Testifire 6001-I Test Kit	Testifire 6001-I-001
Testifire 9001 Test Kit	Testifire 9001-001
Testifire 9001-I Test Kit	Testifire 9001-I-001
Urban Smoke / Heat Test Kit	URBAN1001-I-001
Testifire 2001 Test Kit	Testifire 2001-001
Testifire 2001-I Test Kit	Testifire 2001-I-001
Testifire 6201 Test Kit	Testifire 6201-001
Testifire 6201-I Test Kit	Testifire 6201-I-001
Testifire 9201 Test Kit	Testifire 9201-001
Testifire 9201-I Test Kit	Testifire 9201-I-001
Urban Smoke / Heat / CO Test Kit	URBAN2001-I-001

# 13 TECHNICAL SPECIFICATIONS

Power Source	Battery Baton: nominal 7.2V 3.0Ah NiMH rechargeable battery pack with internal overcurrent protection connects directly to Testfire with no leads or wires. Must be charged by Solo 727 Battery Charger (using 100-230VAC or 12VDC input).
Battery Charge Time	Approx. 90 mins. (if completely discharged).
Power Consumption	Dependent on mode of use: Smoke testing: <0.5A rms Heat testing: 4-6A rms  N.B. Power consumption refers only to the duration of the actual test and may vary considerably due to internal control algorithms.
Test Modes	Smoke: a simulated smoke generated internally using a miniature heat exchanger and a harmless liquid from the smoke capsule. Normal Heat: to test rate-of-rise and fixed temperature heat detectors up to 90°C (194°F). Hi Heat: to test rate-of-rise and fixed temperature heat detectors up to 100°C (212°F). Clearing: clean air is blown to remove previously applied smoke. Simultaneous Testing: Smoke or Heat in any combination as programmed by the user are all carried out in one test. Sequential Testing: Tests are performed according to the order that they have been programmed by the user.
Safety Features	Battery over-current cut-out. Default 2 minutes maximum test duration timeout. Auto power off after 10 minutes of non-use.
Operating Features	Colour coded LED user feedback. Automatic infrared sensing of the detector. Adjustable multi-position head.
Suitable Detector Types	Optical / photoelectric and ionisation smoke detectors. Thermal sensors (fixed temperature or rate-of-rise). Multi-sensors or multi-criteria detectors. Conventional, addressable or analogue addressable detectors of any of the above types.
Environment	Operating temperature range: +5°C to +45°C (41°F to 113°F). Operating humidity range: 0 to 85% RH non-condensing. Storage temperature range: -10°C to +50°C (14°F to 122°F). Storage humidity range: 0 to 90% RH non-condensing (up to +35°C / 95°F).
IP Rating	Rated according to IEC60529 to IP20
Weights	Testfire 1000: 1.14g (excluding Battery Baton) Solo 770 Battery Baton: 0.5kg
Dimensions	Testfire 1000: Bellows width: 153mm max. Head Unit height: 224mm max. (397mm including handle)

**NOTE:**

Product specifications may be subject to change without prior notice or obligation on the part of the manufacturer.

**International Patents**

Testfire is protected by the following patents:

EP(GB)0910055B1, DE69820382.8, US6423962, EP(FR,GB)1290661B1, DE60112442.1, ZL01801074.1, US6640608, EP(FR,G-B)1390927B1, DE50205116.7, DE60314594.9, GB2385179, EP(DE)1468409B1, GB2409319B, US8049612, EP(GB)1794728B1, DE602005037919.3, EP(FR,GB,NL,SE)1960980B1, IT502013902154897, DE602006034660.3, US8966952, JP4958914

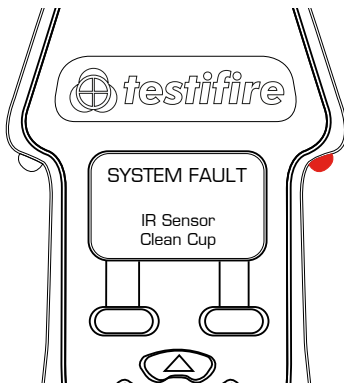
# 14 TROUBLESHOOTING & SUPPORT

If you experience any type of problem with your Testfire, turn the power off, wait for a few seconds and then turn the power back on. This may clear the fault. If the fault continues, the following information may help you solve the problem. If you are unable to identify the cause of the problem, please visit [detectortesters.com/support](http://detectortesters.com/support)

## 14.1 IDENTIFYING ERRORS

- When an error occurs, the Status LED will appear red and the Test LED will not be illuminated. This can be clearly seen without access to the screen when the unit is at height.
- The unit will emit a 2 second warning sound (if the sound is enabled) and cease to function further. The screen will display the error message.
- In some cases the error message may be cleared from the screen by pressing the escape key. This may enable the unit to continue operating, although if the error has not been corrected the error message may reappear immediately on screen.
- You will need to correct the error in order to proceed. For example, if the battery is Low, the screen will display the message 'Replace Battery'. In this case, no further testing can be carried out until the Battery Baton has been recharged or replaced.

## 14.2 GENERAL CARE



Dirt that gets into the cup could get into the unit through the smoke/heat/co duct Opening and cause the unit to fail. Always keep the cup clean to ensure reliable operation.

1. Debris (e.g. from ceiling tiles) can fall into the test cup, and could work their way into the unit, causing the fan to stop.
2. Remove inner test cup.
3. Attach a charged battery baton.
4. Turn on Testfire and set to clear only program. (Press the up / down buttons until the cursor is next to 'Clear').
5. Adjust handle to 90° position away from the Testfire body
6. Holding the baton and handling tube vertically, use a brush to brush the dirt out of the test cup, moving dirt away from the duct.

7. While your hand is inside the test cup, and Testfire programmed to Clear, air will be blow out of the duct and aid clearing. It will also help prevent loose debris from entering the duct.
8. Take care not to damage the heater elements in the duct.
9. Use a damp lint-free cloth to wipe inside of the test cup to remove any remaining small particles of dirt.
10. Clean inner cup using lint-free cloth, and re-fit into the unit.
11. Clean bellows, and re-fit
12. Wipe the rest of the unit.

### DO NOT DROP OR EXPOSE TESTIFIRE TO WATER.

Always store Testfire, batteries and chargers in a suitable bag when not in use.

## 14.3 BATTERIES & CHARGERS

Solo NiMH Battery Batons are used to power Testfire and enable it to be fitted to Solo Access Poles.

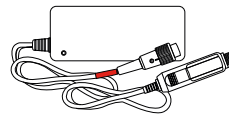


### WARNING

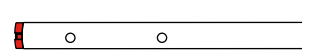
DO NOT ATTEMPT TO USE OR CHARGE THE BATTERY IF EITHER THE UNIT OR THE BATTERY CONNECTION POINT ARE DAMAGED. NEVER CONNECT AC AND DC POWER AT THE SAME TIME.

The Solo 770 Battery Baton must be charged before using Testfire. To ensure maximum duration of testing, it should be fully charged for each use. Solo 727 chargers will only work with Solo 770 battery batons. They will not charge Solo 760 Batteries.

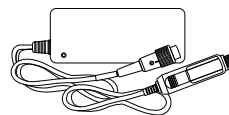
SOLO 727 CHARGER



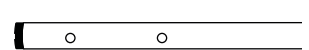
SOLO 770 BATTERY



SOLO 726 CHARGER



SOLO 760 BATTERY









As our policy is one of continuous improvement, details of products described within this publication are subject to change without notice. All information provided here is believed to be correct at the time of going to press. Every effort has been made to ensure the accuracy of information which is provided in good faith but nothing contained herein is intended to incorporate any representation or warranty, either express or implied or to form the basis of any legal relations between the parties hereto, additional to or in lieu of such as may be applicable to a contract of sale or purchase.