

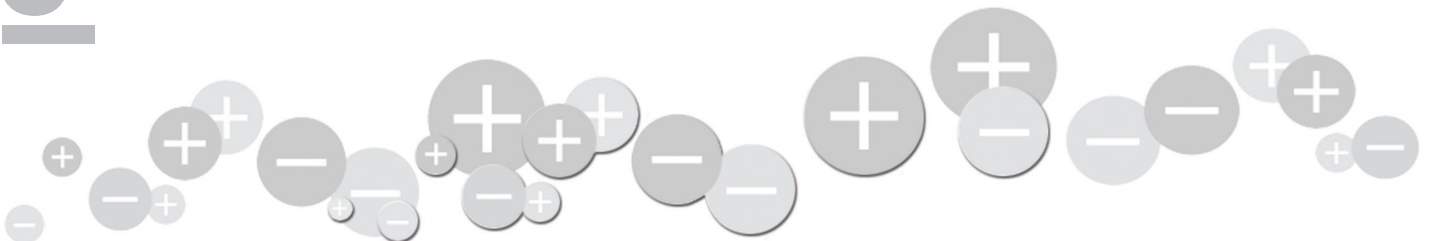


R50 Blue Bar

SHOCKLESS STATIC NEUTRALIZING BAR

The R50 Blue Bar is a high efficiency, shockless static bar for use on webs traveling up to 2,500 fpm and in hard-to-reach applications. The R50 Blue Bar is designed for easy cleaning and offers a mounting channel with full length adjustment. Also available in a moisture resistant model.

- High performance without the use of costly compressed air
- Embedded ground reference ensuring consistent performance
- Resistantly coupled for shockless operation
- Easy to install and maintain
- Equipped with shielded cable to reduce interference

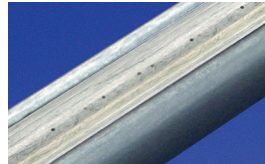


Specifications

Dimensions	0.63" x 1.25" (16 x 32 mm)
Effective Length	5.3 to 153.5" (135 to 3900 mm)
Overall Length	8.7 to 156.9" (220 to 3985 mm)
Operating Voltage	7 kVAC
Mounting	Nylon bolts and metal brackets provided
Ambient Temperature	32-176°F (0-80°C)
Connection	Standard length 7' (2.1m) fixed high voltage cable, (optional lengths available)
Approval	CE, UL

Blue Bar Options

L50 Air Tube: The L50 attaches to the Blue Bar and is available with 90° or 28° air exits for applications requiring blow off.



Power Supplies: The Blue Bar can be powered by the True AC, D167Q or D257Q Power Supplies which are ordered separately. In addition, four port power supplies are available.

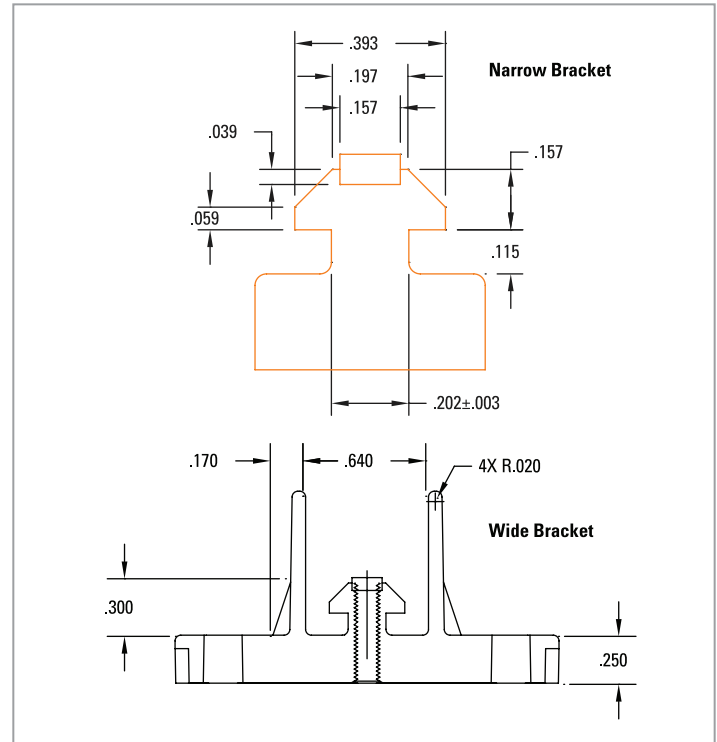
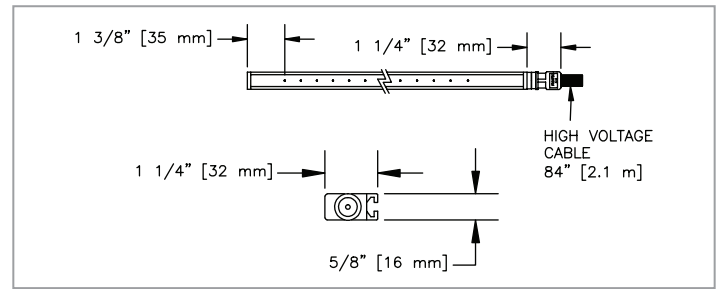
D167Q
Power
Supply



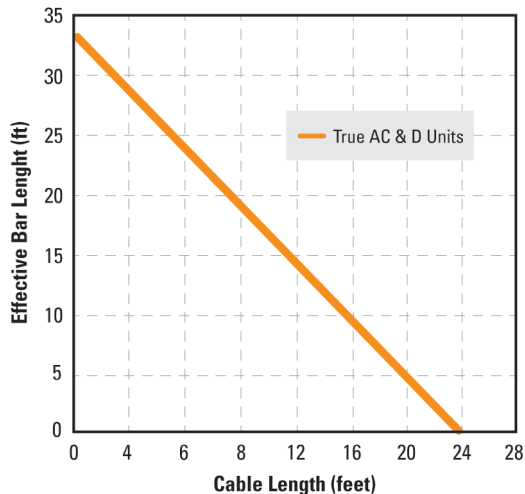
True AC
Power
Supply



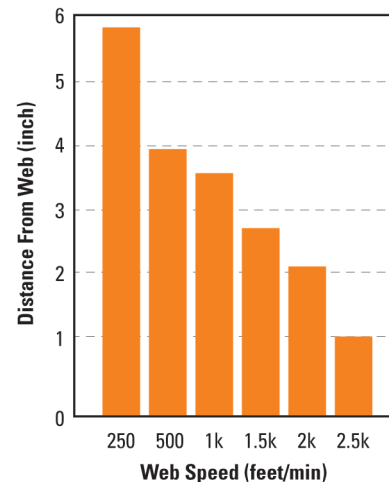
Dimensions



Power Supply Loading Capacity



Installation Distance from Web (max)



SIMCO IONTM
An ITW Company

P/N 5200776 Rev. J
© 2019 Simco-Ion – All rights reserved.
Specifications are subject to change without notice.

Simco-Ion

2257 North Penn Road
Hatfield, PA 19440-1998
Tel: 800.203.3419 (in USA)
Tel: 215.822.6401

customerservice@simco-ion.com
www.simco-ion.com