

PROMAX - DIGITAL TO TV[®]

DT-212C



DUAL DVB-T to DVB-T TRANSMODULATOR

Instructions for assembly and connection

Description

The module DT-212C is able to receive two DVB-T signals, from which extracts the sequence of digital data (Transport Stream) and then modulates them again, each modulated signal coming from each one of the two outputs without mixing between them, with greater power and better quality.

With the "D" option, the module has two outputs connectors that delivers two DVB-T single signals.

Among the possible applications of this module there is the restoration of the quality of a weak signal or moving DVB-T channels from one frequency to another in order to avoid signal degradation or the overlapping with other channels.

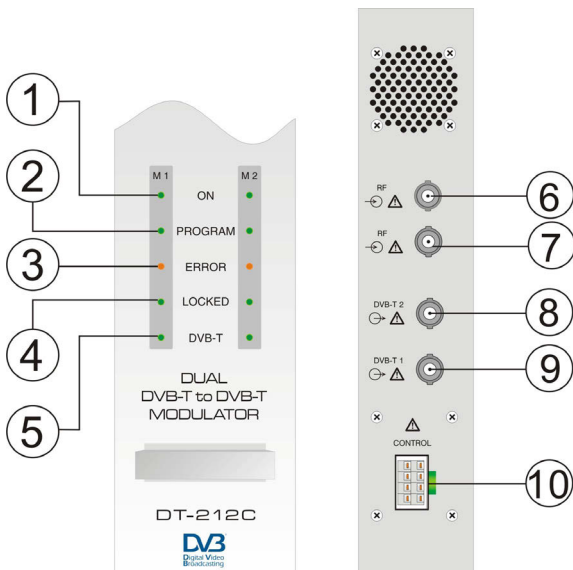


Fig. 1.- DT-212C

1	On Led	8	DVB-T2 independent Output*.
2	Program Led		
3	Error Led		
4	Locked Led	9	DVB-T1+DVB-T2 combined output.
5	DVB-T Output Led		
6	RF 1 DVB-T Input		
7	RF 2 DVB-T Input		
		10	Control and Power Input

* Available only with D option.

Accessories supplied

The DT-212C unit comes with the following mounting accessories.

CC024 - 1xCable BNC/BNC 25cm
CC027 - 1xCable BNC/BNC 50cm
AD050 - 2x Adapter BNC/M-TV/H
AD051 - 2x Adapter BNC/M-“F”/H
0 DG0079 - 1x Quick Conf. Gui.
0 MI1822 - 1x User’s Manual.
0 MI1824 - 1x Menu tree.

Please, before starting to assemble, check you have all the items listed.

Assembly instructions

1.- Place the DT-212C module next to the last module installed without leaving any empty space between them (Fig. 2.-).

2.- Slide the module between the subrack sections until the front panel of the module is adjusted.

3.- Screw the front panel of the module to the top and bottom of the subrack sections (Fig. 2.-).

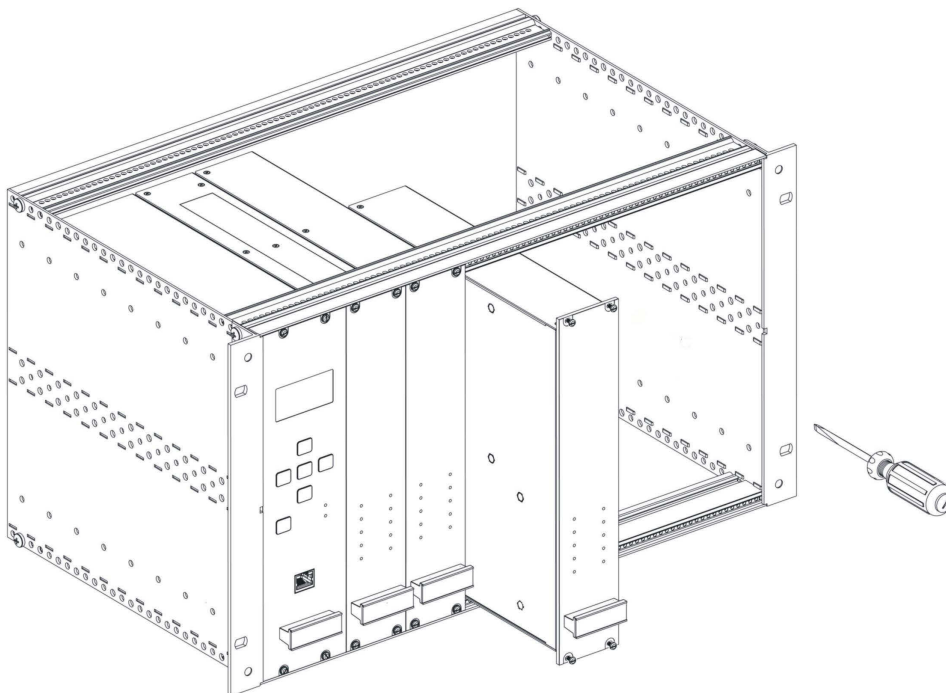


Fig. 2.-

Connecting Power supply and control

1.- Turn off the DTTV system.

2.- Connect the output of the control unit DT-800 to the power input of the module DT-212C (Fig. 1. -10-).

3.- Connect the signal RF (DVB-T) to the input connectors (Fig. 1. -6 and 7-).

4 .- The modulated DVB-T signal is sent to the output connector (Fig. 1. -8 and 9-)

5 .- Connect the output signal to the next module or to the distribution network

See Fig. 3 for an example of DTTV configuration.

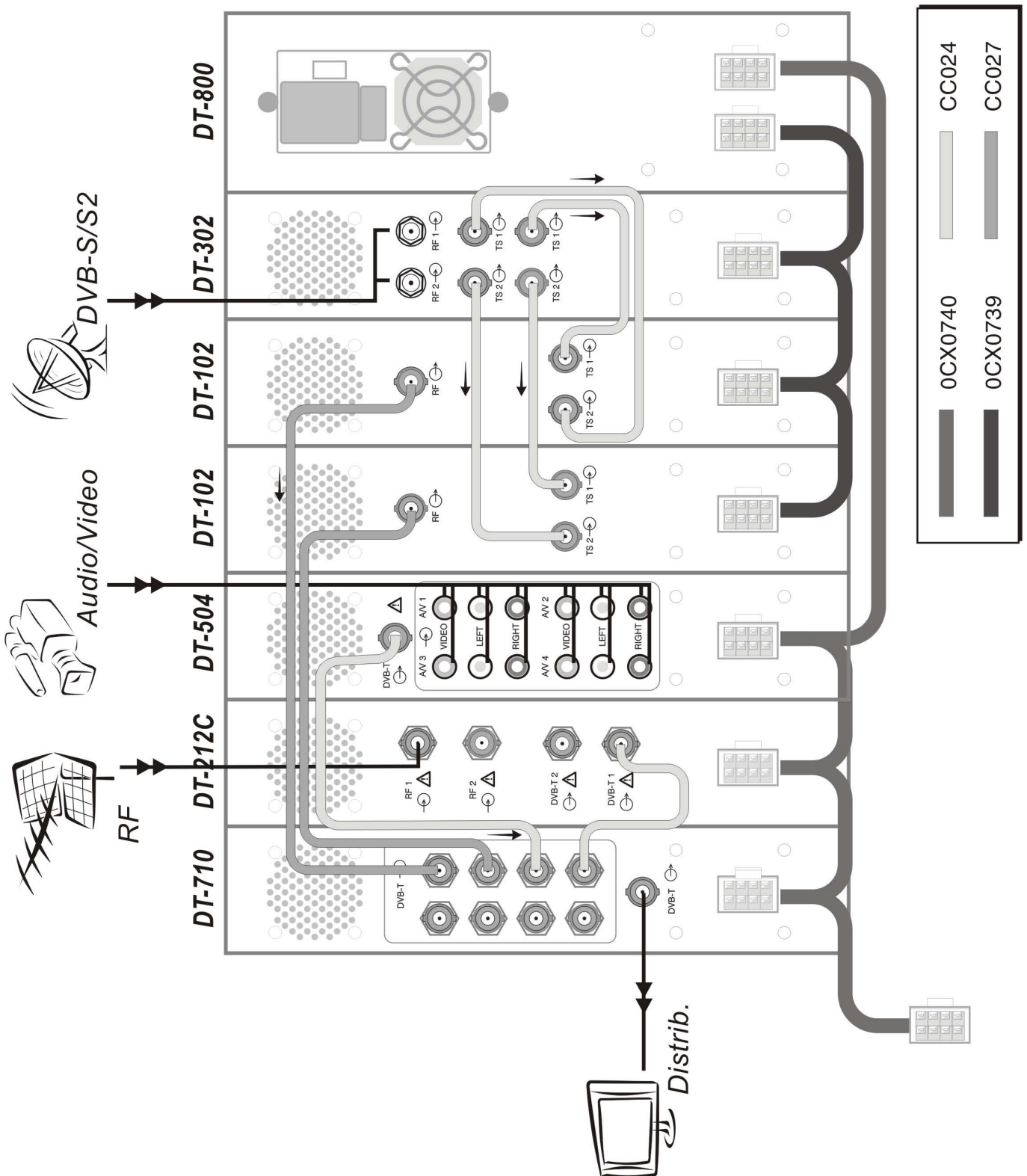


Fig. 3.- DTTV Configuration.