

# ROTARY STAGES

- Precise angle adjustment
- Coarse and fine adjustments
- Stages made of aluminum alloy

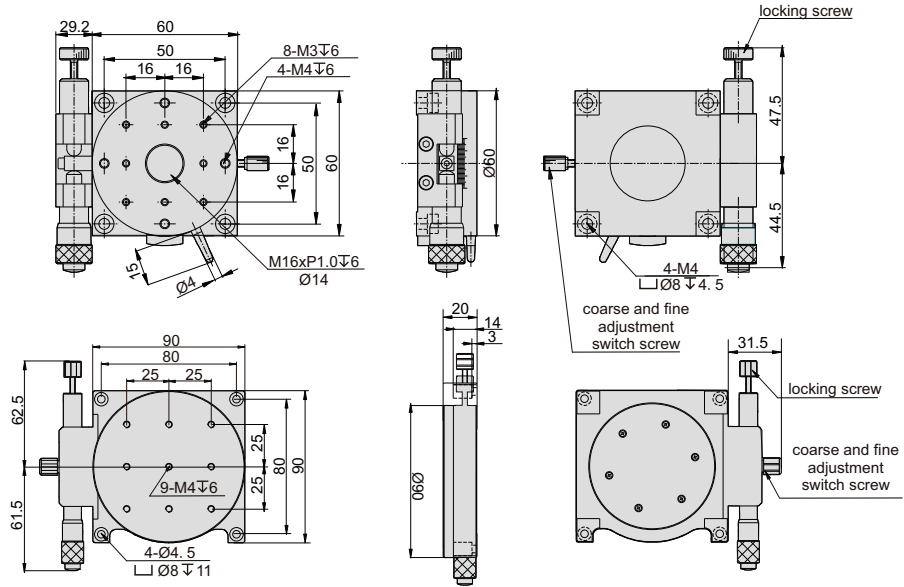


6583-60H



6583-90

Unit: mm



## SPECIFICATION

Code	Range	Parallelism of top surface to bottom	Concentricity	Rotation accuracy	Maximum load	Stage size	Weight
6583-60H	360°coarse, $\pm$ 5°fine	0.03mm	0.03mm	12'	29.4N(3kgf)	$\nabla$ 60mm	0.30kg
6583-90	360°coarse, $\pm$ 5°fine	0.04mm	0.03mm	5'	29.4N(3kgf)	$\nabla$ 90mm	0.50kg