



Diagonal Cutting Pliers (w/ Stripper)

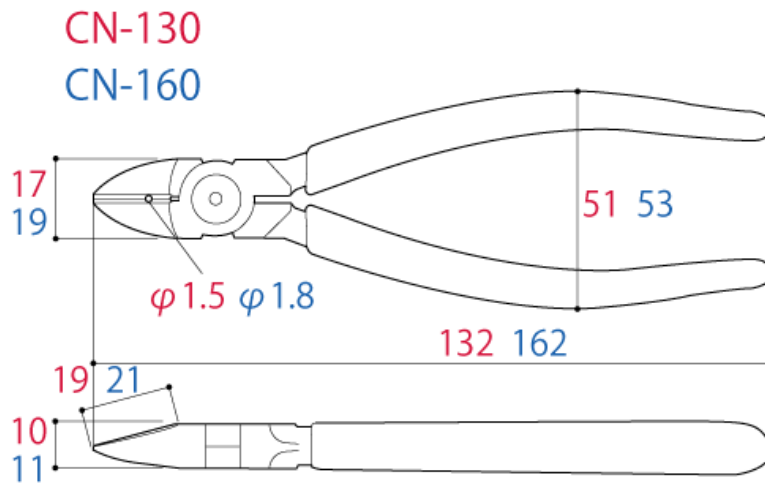
130mm CN-130 / 160mm CN-160 JIS



- For copper and iron wires.
- With a stripping hole on the edge.
- Diagonal Cutter 4 types & 3 sizes
- [Normal] [CN-130N,CN-160N,CN-175N](#)
- [w/ Stripper] [CN-130,CN-160](#)
- [w/ Spring] [CN-130NS,CN-160NS](#)
- [w/ Stripper & Stripper] [CN-130S,CN-160S](#)

Specifications

- Material | Carbon steel for machinery (S58C)
- Heat Treatment | Oxide-free heat treatment, Induction hardening on edge
- Body hardness [HRC] | 42~50
- Edge hardness [HRC] | 58~64
- Handle cover | PVC dipping
- Surface treatment | Anti-rust oils



	Size[mm]						Weight [g]	EAN-code (4952269)
	Overall length	Head width	Head thickness	Handle width	Edge length	Hole diameter		
CN-130	132	17	10	51	19	1.5	105	102024
CN-160	162	19	11	53	21	1.8	160	102031

Cutting capacity (φmm)	Stainless	Soft iron	Copper	Stranded copper wire [mm ²]
CN-130	1.2	1.8	2.6	2.0
CN-160	1.6	2.0	3.2	5.5

Note: Do not use to cut harder wire or anything above it rated the capacity.