



Cable Cutter with Stripper

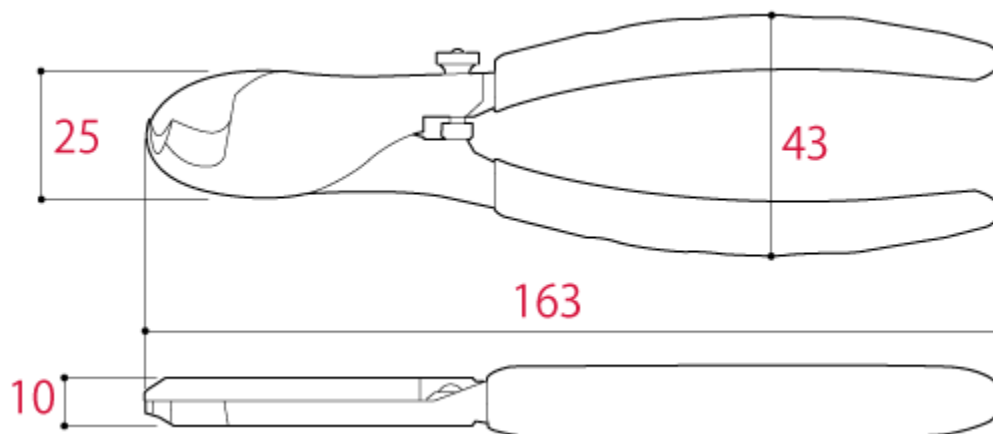
150mm CS-22



- Stripper opening adjuster loaded.
- Stripping edge on the tip is suitable for continuous work.

Specifications

- Material | Alloy steel
- Heat Treatment | Oxide-free heat treatment
- Hardness | 54~62
- Handle cover | PVC dipping



	Size[mm]				Weight [g]	EAN-code (4952269)
	Overall length	Head width	Head thickness	Handle width		
CS-22	163	25	10	43	175	110203

Cutting capacity (φmm)	Copper core cable	IV Cable	Stripping range(φmm)	Fulcrum side edge	Tip edge
		9.0		22	

Note: Do not use to cut harder wire or anything above it rated the capacity.