



## Micro Long Nose Pliers

125mm ER-125 / 150mm ER-150 Spring

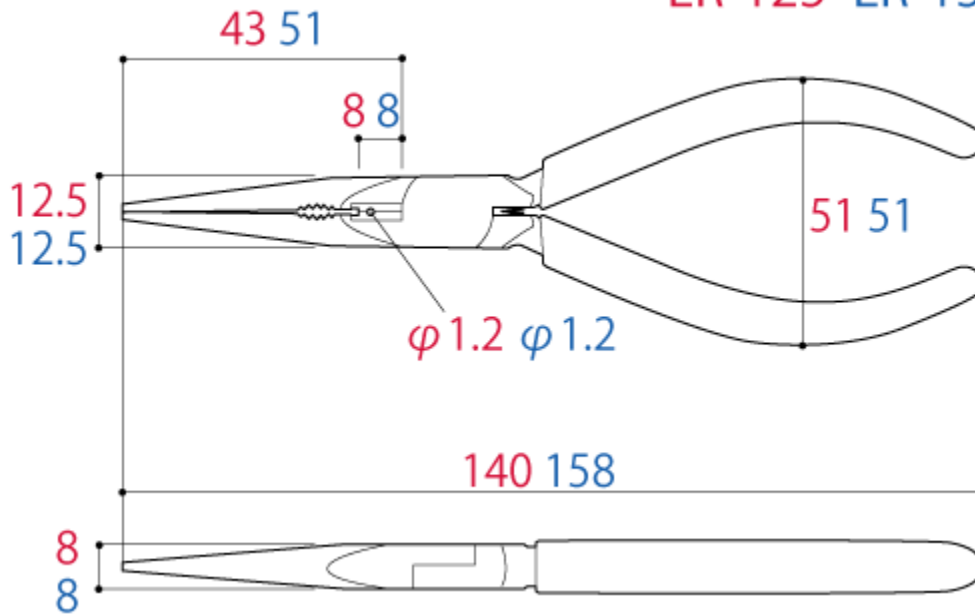


- Slender and long jaws suitable for maintenance of electronic devices.

### Specifications

- Material | Carbon steel for machinery (S58C)
- Heat Treatment | Oxide-free heat treatment, Induction hardening on edge
- Body hardness [HRC] | 42~50
- Edge hardness [HRC] | 54~62
- Spring | Coil spring
- Handle cover | PVC dipping
- Surface treatment | Anti-rust oils

## ER-125 ER-150



	Size[mm]							Weight [g]	EAN-code (4952269)
	Overall length	Head width	Head thickness	Handle width	Nose length	Edge length	Hole diameter		
ER-125	140	12.5	8	51	43	8	1.2	70	103045
ER-150	158	12.5	8	51	51	8	1.2	75	103052

Cutting capacity (φmm)	Stainless	Soft iron	Copper	Brass	Stranded copper wire [mm <sup>2</sup> ]
ER-125	1.2	1.6	2.0	1.6	2.0
ER-150	1.6	1.6	2.6	2.0	2.0

Note: Do not use to cut harder wire or anything above it rated the capacity.