

After Use

- Storage and maintenance: if you do not plan to use the screwdriver for a long period, unplug it or switch off the power source. Store the screwdriver in a dry, dust-free place, away from direct sunlight. Inspect and maintain it periodically to ensure continued functioning.
- Repair: If the screwdriver is not operating normally, do not attempt to disassemble it. Contact one of our service agents.

Warranty

We provide a one-year free repair service warranty with this product. The warranty is good for one year from the date of purchase entered on the Product Information Form. The retailer's stamp must appear on the form to confirm the date. However, under the following circumstances we will charge the user for any parts and labor costs associated with repairs:

- For repairs involving normal wear to parts including carbon brushes, bits and power cord, and also to the exterior surface.
- If the screwdriver was connected to a power source of the incorrect voltage.
- After the period of the guarantee, or if the user cannot present the manual with stamped Product Information Form.

Please note:

- The retailer's stamp must appear on the Product Information Form in order to receive free repair service.
- If the date is not filled in, the guarantee takes effect from the date of product assembly.
- We cannot replace this manual. Please safeguard it.

Other points

The adapters (optional) with many applications are available for use with this product. However, for drilling holes, it should never be used on any material except plastic and wood less than 2mm thick, and especially not on metal or walls.

Please note:

Drill bits may break off if the screwdriver is not held tightly or held at an angle to the drilling surface. Take care of your hands and eyes!

Product Information Form

Model		Retailer's Stamp
Serial No.		
Date of Purchase		

⊙ Specifications and design may be changed without notice for improvement(A-5)

ASA Industrial Electric Screwdriver User's Manual
(for semi-automatic models-strengthened tightening torque)

A Word of Thanks to Our Customers

Thank you for choosing lightweight and powerful ASA electric screwdrivers. In order to insure maximum performance and product life, please read through this manual before using your screwdriver.

Features

Our screwdrivers were designed for fastening screws. They include many patented features:

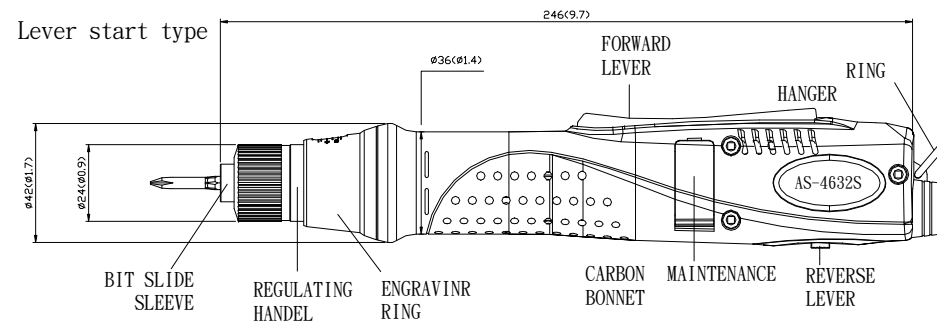
- Anti-slip egg-shaped body
- Patented carbon brush cover prevents shocks
- Indicator light shows when carbon brush needs replacement
- Integral dual insulation
- Centrifugal turbine heat dispersion
- Low-noise transmission
- Patented power cord clip

Screw-driving applications range from assembly of small items such as watches and eyewear to home appliances, hardware, furniture and other products.

Specifications

Model	AS-1631	AS-1632	AS-2631	AS-2632	AS-3631	AS-3632	AS-4631	AS-4631S	AS-4632	AS-4632S	AS-6631	AS-6632	
Power source ACV	115 60HZ	230 50HZ	115 60HZ	230 50HZ	115 60HZ	230 50HZ	115 60HZ		230 50HZ		115 60HZ	230 50HZ	
Torque range kgf-cm/lbf-in	0.2-2.0/0.17-1.7		0.5-7.0/0.43-6.1		1.0-12.0/0.9-10.4		2.0-18.0/1.7-15.6				5.0-25.0/4.3-21.7		
No load speed rpm	1000		1000		1000		1000	1800	1000	1800	1000		
Torque setting													
Available Screw	Machine Screw mm/in	1.0-2.0/0.04-0.08		1.0-2.6/0.04-0.10		1.4-3.0/0.06-0.12		2.0-4.0/0.08-0.16				2.6-5.0/0.10-0.20	
	Tapping Screw mm/in	1.0-1.7/0.04-0.07		1.0-2.3/0.04-0.09		1.4-2.6/0.06-0.10		2.0-3.0/0.08-0.12				2.3-4.0/0.09-0.16	
Weight g/lb	400/0.88					480/1.0							
Length mm/in	228/9.0												
Available bit shank	φ 4.0					φ 5.0/5mm Hex shank, 1/4" Hex shank, 1/4" Hex double end shank							
Power consumption W	30					40							

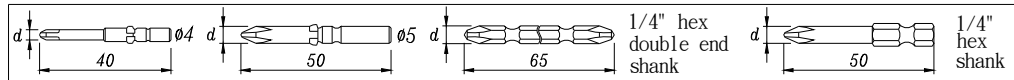
Outline



Accessories

- This product comes supplied with a pair off carbon brushes and two bits.

Bits (one set per screwdriver)



Bit specifications												Available Screwdriver Model
φ 4.0			φ 5.0			1/4" Hex shank			1/4Hex double end shank			
Tip No	Tip diameter D	P#	Tip No.	Tip diameter D	P#	Tip No.	Tip diameter D	P#	Tip No.	Tip diameter D	P#	
#00	φ 1.7	7W1202				#00	φ 1.7	7W6204				AS-1631
#00	φ 2.0	7W1402				#00	φ 2.0	7W6404				AS-1632
#0	φ 2.5	7W1522				#0	φ 2.5	7W6524				AS-2631
#1	φ 4.0	7W1742				#1	φ 3.0	7W6644				AS-2632
			#1	φ 3.0	7W3644	#1	φ 3.0	7W6644	#1	φ 6.35	7W7147	AS-3631
			#2	φ 5.0	7W3864	#2	φ 4.5	7W6764	#2	φ 6.35	7W7167	AS-3632
			#1	φ 3.0	7W3644	#1	φ 3.0	7W6644	#1	φ 6.35	7W7147	AS-4631
			#2	φ 5.0	7W3864	#2	φ 6.0	7W6964	#2	φ 6.35	7W7167	AS-4632/S
			#1	φ 5.0	7W3844	#1	φ 4.5	7W6744	#2	φ 6.35	7W7167	AS-6631
			#2	φ 5.0	7W3864	#2	φ 6.0	7W6964	#2	φ 6.35	7W7167	AS-6632

Before Using

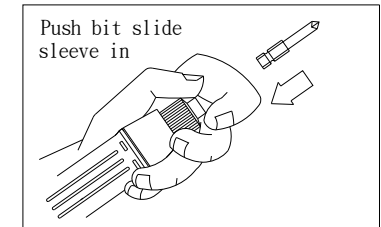
- Check voltage: Please read the label on the product exterior and the manual thoroughly before using the screwdriver, and make especially sure to correctly determine the screwdriver's voltage requirement (115VAC or 230VAC). Only plug the screwdriver into an outlet with the correct voltage.
- Check for suitable torque range: Choose a screwdriver model that matches your required torque range. To lengthen product life, avoid using screwdrivers at maximum torque over long periods.
- Check that product is completely assembled: Check that the carbon maintenance bonnet is closed tightly. If the bonnet or spring connector have come loose, the motor will automatically cut off-the screwdriver will operate only after the have been correctly reassembled. If the power cord is in any way damaged, unplug the screwdriver immediately and exchange it for a new product in order to protect against short circuit.
- Check the workplace: Although this product features dual insulation, to ensure safety do not use it in damp or high-temperature environments, or near flammable materials. Keep the power cord away from tools and equipment that might damage or melt it.
- Caution: When plugging in or unplugging the power cord, make sure to hold it by the plug. Never pull the power cord forcibly.

Usage and Cautions

- Screw and unscrew settings: To drive a screw, set the forward/reverse switch to the FWD position. To remove a screw, set the switch to the REV position (Caution! --- Never change the switch position when the motor is running! Release the trigger (power switch) and change the position after the motor stops.)
- Torque setting: Set the torque level by rotating the regulating handle. Turning it clockwise into the casing will increase the torque, and turning it counterclockwise out of the casing will decrease the torque. (Caution! --- The markings on the regulating handle are for reference only and do

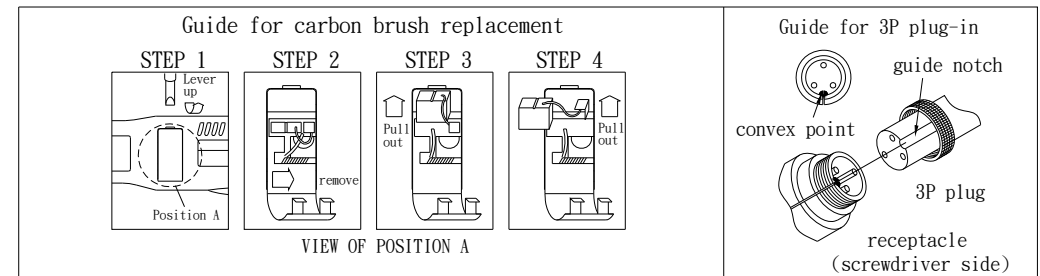
not indicate torque output. Actual torque can only be determined with a torque testing machine or hand-held spanner torque tester.) If you have difficulty removing screws (reverse setting), increase torque by turning the regulating handle clockwise into the casing.

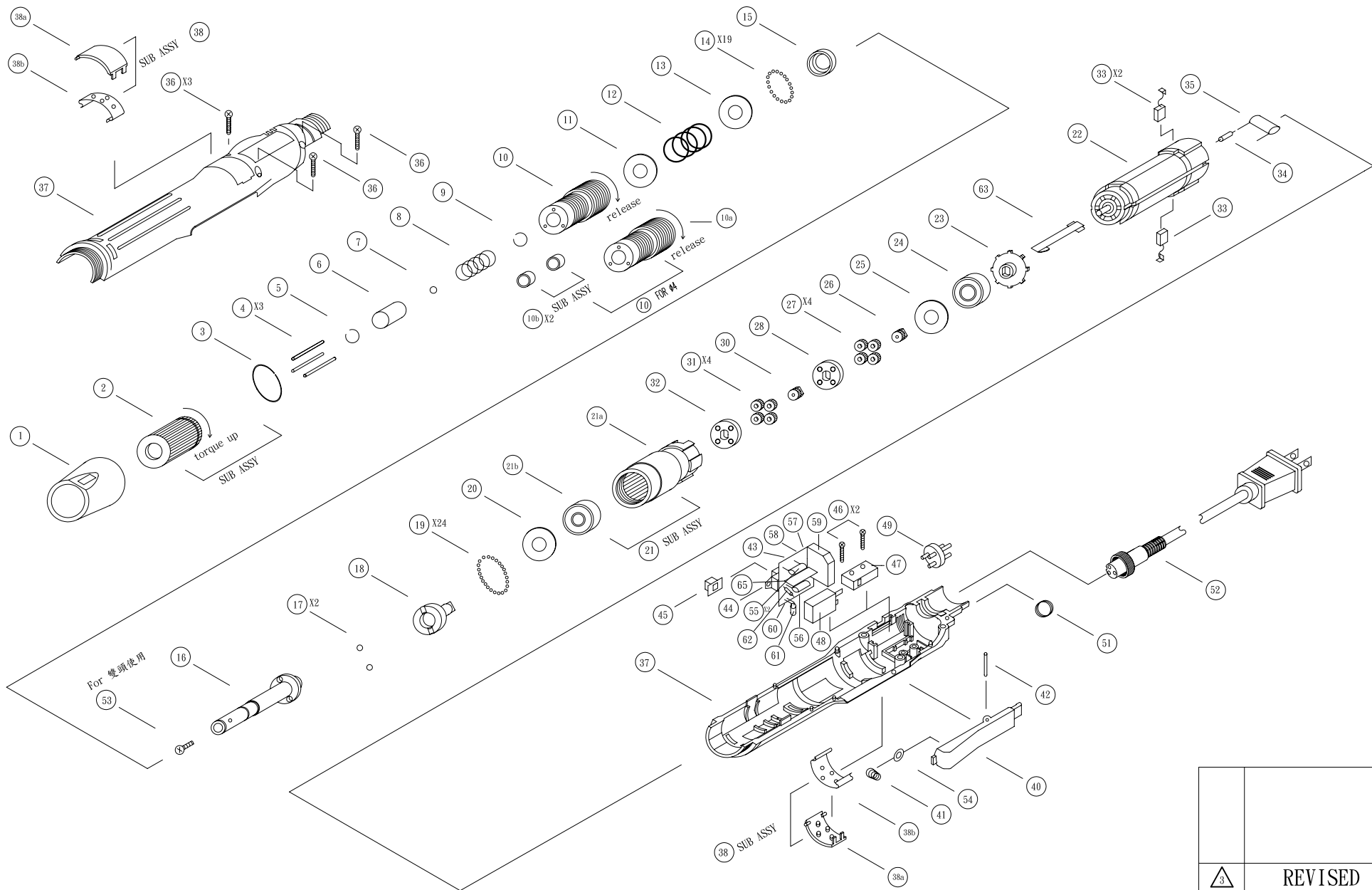
- Inserting the bit: Push the bit slide sleeve down with your finger and insert a suitable bit. When the bit slide sleeve is released, the bit will become engaged. If the bit slide sleeve can not homing, please pull out the bit. Count! -please change the 3 band switch(forward & reverse switch) to middle band, and don't beat or force to pull out when inserting bit.



- Inserting and removing single-or double-ended 1/4" hex bits: Inserting the bit and arrive bottom, then push the bit slide sleeve down with your finger, the will be flip out.

- Hang securely: During use the screwdriver should be hung up securely to prevent it from failing, and also to protect the power cord from sudden pulls.
- Starting and stopping the motor: Press the trigger(power switch) down to start the screwdriver, And release it to stop.
- Important points:
 - If the clutch slips when screws are fully tightened (i.c. Clicking sound is not heard when torque is reached) immediately release the trigger (power switch) to prevent the motor from burning out (due to continued power flow while it is not operating).
 - If the screwdriver is operating for a long period, or if excessive current surges are experienced, the screwdriver may overheat. In this case it will switch off automatically. When the heat has dispersed, normal operation can resume.
- Operational frequency: suggest the operational frequency 1/4"(ON/OFF)second, the total screws 7000pcs/8hours, don't over our operational frequency suggest, and avoid the inside part of screwdriver serious damage. If everyday work 8hours upward, please use two screwdriver by turns, protect the life of screwdrivers.
- Changing the carbon brush: When the carbon brush change indicator lights up (red), please Change it as described below. (Caution! --- Always unplug the screwdriver before changing the brush. Only use the factory-specification brushes provided with the screwdriver as replacements.)
 - Insert a slotted bit with a 3.0mm wide, 1.0mm thick head in the slot on the side of the carbon maintenance bonnet and lever it up. Open the bonnet.
 - Remove the spring resting on the carbon brush.
 - Lift the copper wire attached to carbon brush, and pull the brush out.
 - Pull out the tip of the copper wire and complete the removal.
 - Insert the new carbon brush, following the above steps in reverse order.



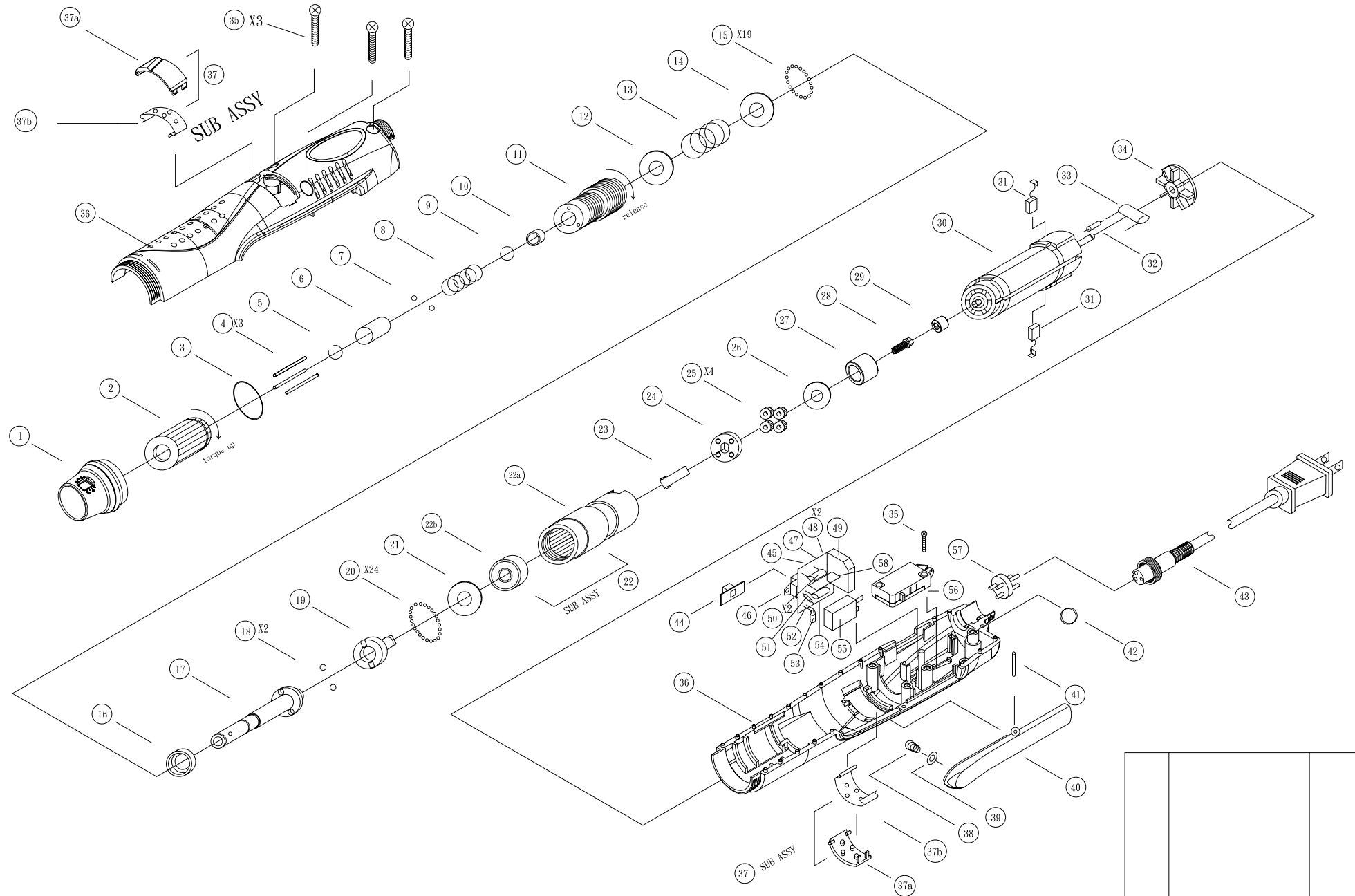


△3	REVISED	01.05'07	L. I. C
△2	NEW ASSEMBLY	07.03'02	HUANG
△1	REVISED	04.20'00	HUANG
SYM	DESCRIPTION	DATE	SIGN

UNIT: M/M	DATE	NAME
DESIGN		
DRAWN	1998. 02. 13	Y. C. HUNG
CHECKED		
APPROVED	1998. 02. 13	T. Ke

NAME AS-1631/2, 2631/2
 3631/2, 4631/2, 6631/2
 disassemble graphic
AsA ENTERPRISE CORP.
 TEL: (02)8751-0022(10 Line)

DWG. NO: M10005



UNIT:M/M	DATE	NAME
DESIGN		
DRAWN	2007.10.17	TOM
CHECKED		
APPROVED		

NAME: ASA-4631/2S
 disassemble graphic
 ASA ENTERPRISE CORP.
 TEL:(02)8751-0022(10 Line)

SYM	DESCRIPTION	DATE	SIGN
	DWG. NO:M10054		