



Flat Nose Pliers

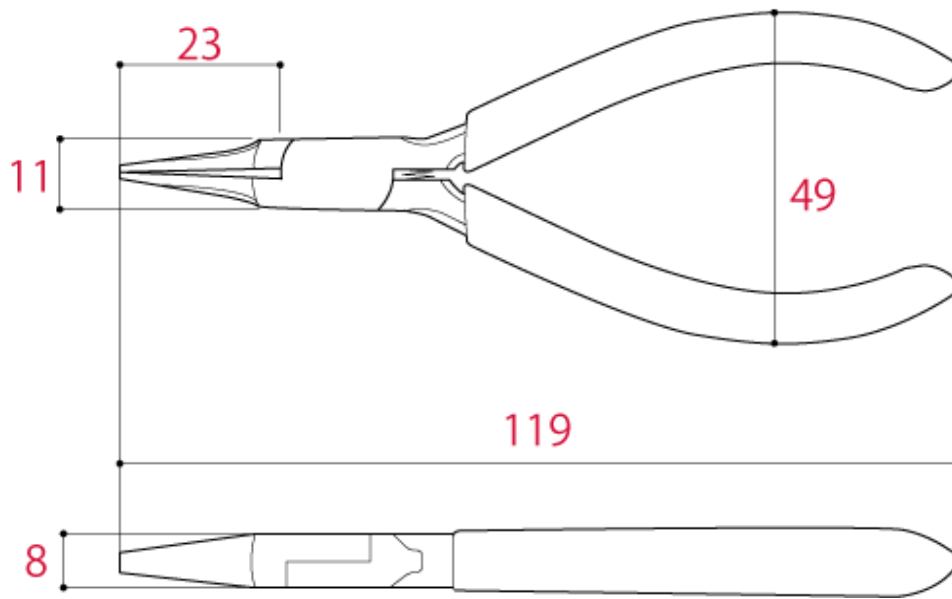
115mm FNP-115 Spring



- Smooth jaw inside.
- For precision works without damaging targets.

Specifications

- Material | Carbon steel for machinery
- Heat Treatment | Oxide-free heat treatment
- Hardness | 42~50
- Spring | Coil spring
- Handle cover | PVC dipping
- Surface treatment | Anti-rust oils



	Size[mm]					Weight [g]	EAN-code (4952269)
	Overall length	Head width	Head thickness	Handle width	Nose length		
FNP-115	119	11	8	49	23	60	401110