



## Chain Clip Pliers 2way type

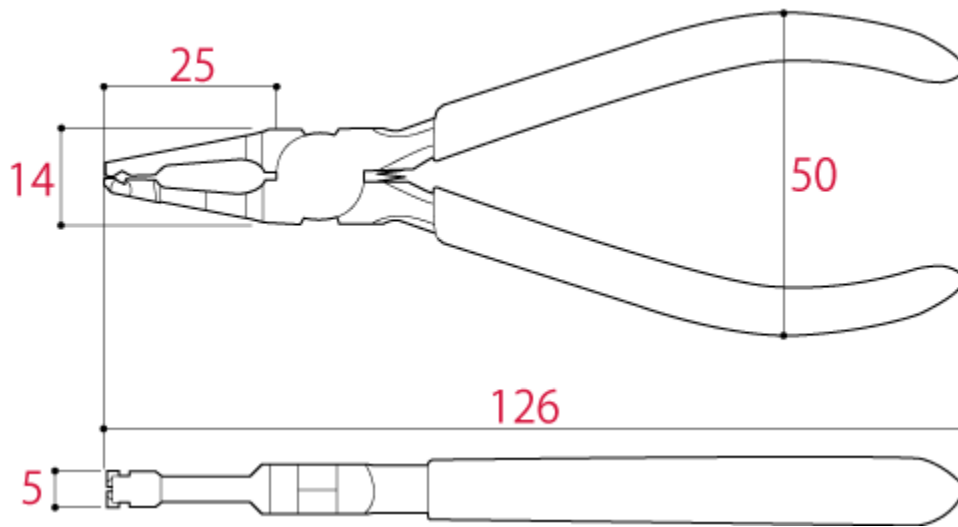
125mm KT-801-1 Spring



- For Attaching and detaching spring clips from chains quickly and precisely.

### Specifications

- Material | Alloy steel
- Heat Treatment | Oxide-free heat treatment
- Spring | Coil spring
- Handle cover | PVC dipping



	Size[mm]					Weight [g]	EAN-code (4952269)
	Overall length	Head width	Head thickness	Handle width	Nose length		
KT-801-1	126	14	5	50	25	65	111149

Usable range	Machinery Chain	Bicycle Chain	Vehicle Chain
KT-801-1	#11~#25	1/2~x1/8	410~428