



Chain Clip Pliers

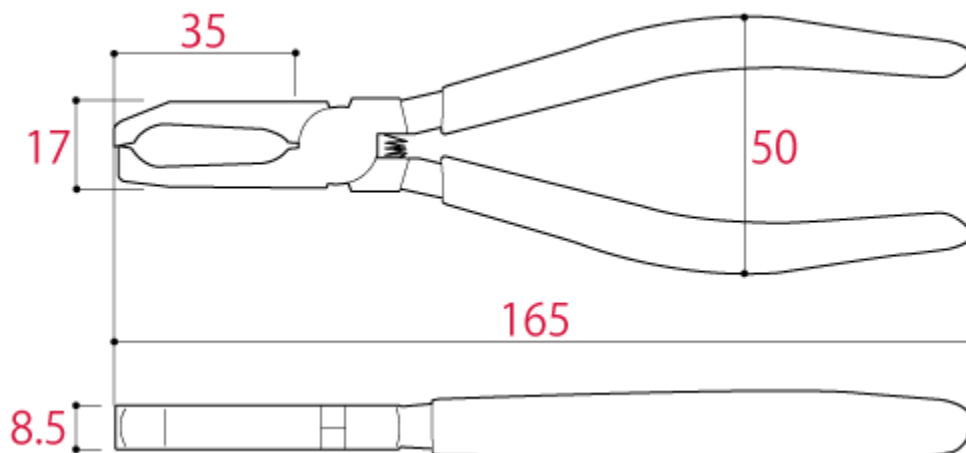
160mm KT-802-1 Spring



- For attaching and detaching spring clips from chains quickly and precisely.
- Also for E-Type retaining rings.

Specifications

- Material | Alloy steel
- Heat Treatment | Oxide-free heat treatment
- Spring | Coil spring
- Handle cover | PVC dipping



	Size[mm]					Weight [g]	EAN- code (4952269)
	Overall length	Head width	Head thickness	Handle width	Nose length		
KT-802- 1	165	17	8.5	50	35	270	110968

Usable range	Vehicle chain	Bicycle Chain	Machinery Chain	E-type Circlip
KT-802-1	410~530	1/2~x1/8	#35~#60	3~5