



Round Nose Pliers

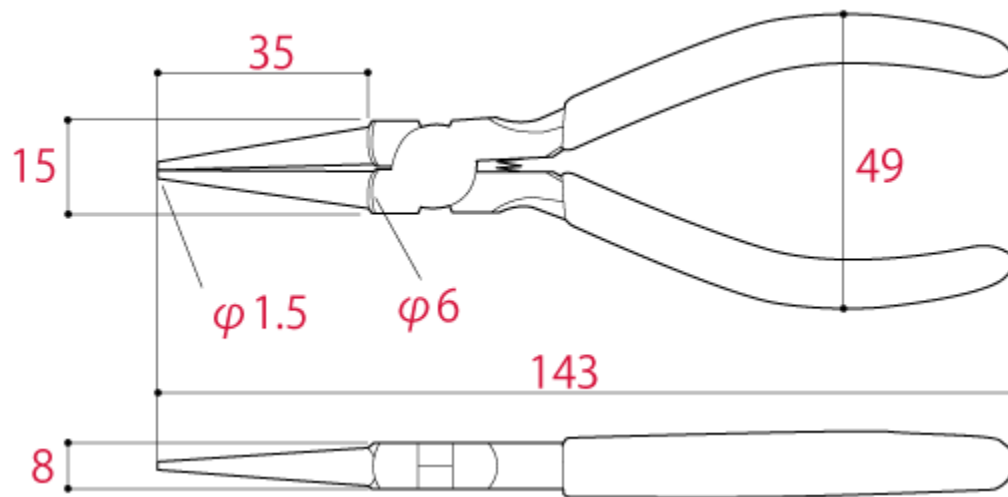
145mm MCR-145 Spring



- For rounding metal wire.
- Suitable for accessory making and also electric works.
- Tip end diameter is 1.5mm.

Specifications

- Material | Carbon steel for machinery
- Heat Treatment | Oxide-free heat treatment
- Hardness | 42~50
- Spring | Coil spring
- Handle cover | PVC dipping
- Surface treatment | Anti-rust oils



	Size[mm]						Weight [g]	EAN-code (4952269)
	Overall length	Head width	Head thickness	Handle width	Nose length	Nose diameter (tip/base)		
MCR-145	143	15	8	49	35	1.5/6.0	80	401233