



Long Nose Pliers

100mm MR-100 / 115mm MR-115 / 120mm MR-120 (Previous part number : MR-125) Spring

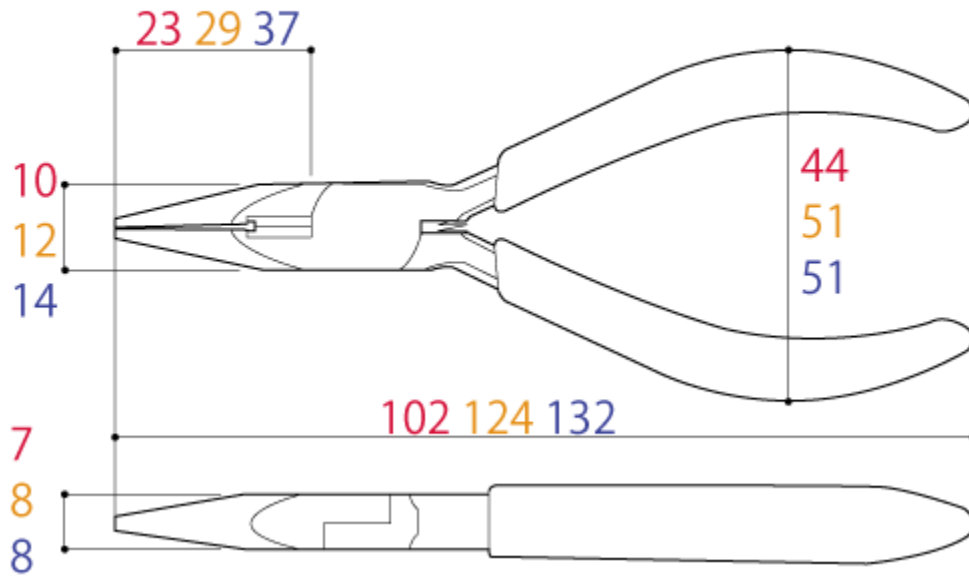


- For fine works and cutting wire.
- Smooth jaw version : [MF-120](#)
- Smooth jaw, w/o cutting blade version : [MR-115F/120F](#)
- *Part number of MR-120 was MR-125 before. No changes on the product itself.

Specifications

- Material | Carbon steel for machinery
- Heat Treatment | Oxide-free heat treatment, Induction hardening on edge
- Body hardness [HRC] | 42~50
- Edge hardness [HRC] | 54~62
- Spring | Coil spring
- Handle cover | PVC dipping
- Surface treatment | Anti-rust oils

MR-100 / MR-115 / MR-120



	Size[mm]						Weight [g]	EAN-code (4952269)
	Overall length	Head width	Head thickness	Handle width	Nose length	Edge length		
MR-100	102	10	7	44	23		40	110395
MR-115	124	12	8	51	29	6	65	403015
MR-120	132	14	8	51	37	8	70	403138

Cutting capacity (φmm)	Stainless	Soft iron	Copper	Brass	Stranded copper wire [mm ²]
MR-100	-	1.2	1.6	-	2.0
MR-115	1.2	1.6	2.0	1.6	3.5
MR-120	1.2	1.6	2.0	2.0	3.5mm ²

Note: Do not use to cut harder wire or anything above it rated the capacity.