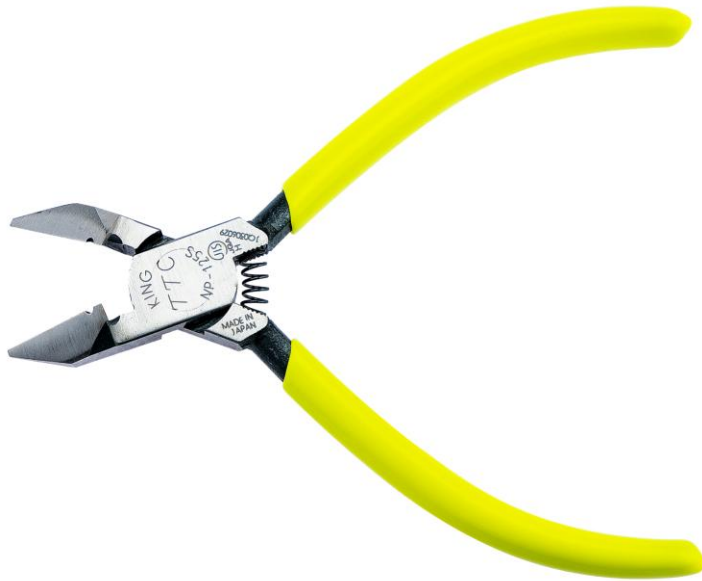




Slant Edge Cutting Pliers

125mm NP-125S / 150mm NP-150S JISSpring

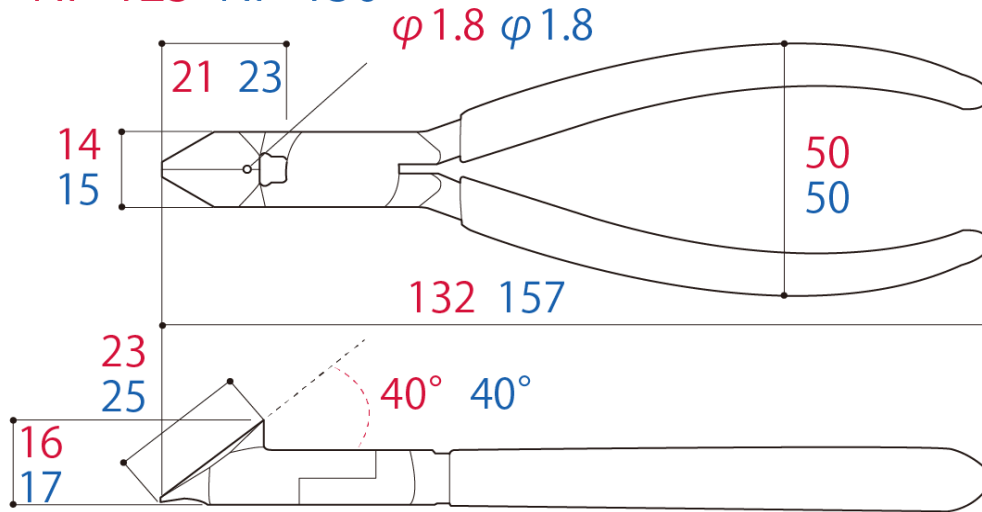


- Suitable for cutting targets at the closest point from walls.
- Clean cut surface.
- Coil spring helps continuous cutting works.
- Stripping hole loaded on the edge.
- Removing staples using the tip of edge.

Specifications

- Material | Carbon steel for machinery (S58C)
- Heat Treatment | Oxide-free heat treatment, Induction hardening on edge
- Body hardness [HRC] | 42~50
- Edge hardness [HRC] | 54~62
- Handle cover | PVC dipping
- Surface treatment | Anti-rust oils

NP-125 NP-150



	Size[mm]								Weight [g]	EAN-code (4952269)
	Overall length	Head width	Head thickness	Handle width	Nose length	Edge length	Hole diameter	Head angle		
NP-125S	132	14	16	50	21	24	1.8	40°	95	104035
NP-150S	157	15	17	50	23	25	1.8	40°	135	104042

Cutting capacity (φmm)	Stainless	Soft iron	Copper	Stranded copper wire [mm ²]	Brass	Plastic
NP-125S	0.9	1.2	2.0	2.0	1.6	3.0
NP-150S	1.2	1.6	2.6	5.5	2.0	4.0

Note: Do not use to cut harder wire or anything above it rated the capacity.