



One Handed Cable Cutter

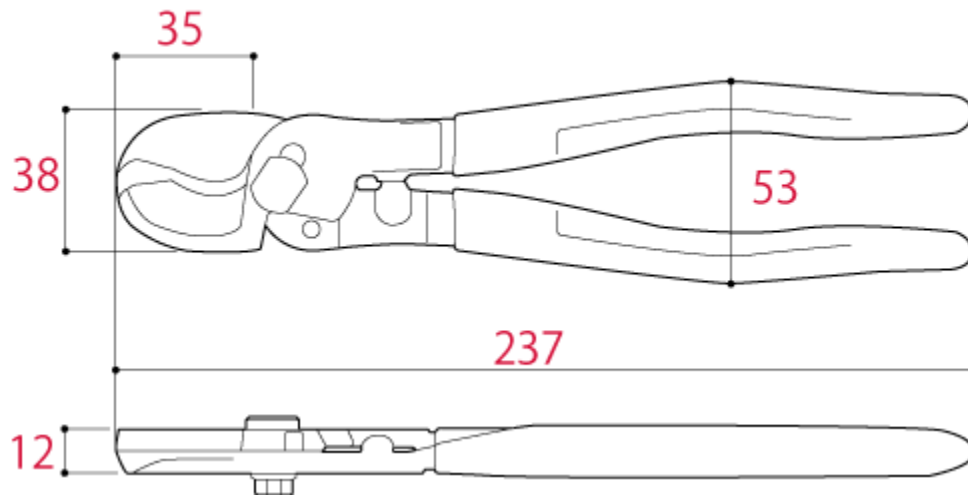
250mm OH-60



- Using this item, $\phi 20$ mm communication cable can be cut with one side hand.
- Fulcrum point slides during cutting. This structure provides one-hand gripping handle distance at first.
- For cutting communication cable made of soft copper. Do not use for electric power cable made of hard-drawn copper.

Specifications

- Material | Alloy steel
- Heat Treatment | Oxide-free heat treatment
- Hardness | 54~62
- Handle cover | PVC dipping



	Size[mm]					Weight [g]	EAN-code (4952269)
	Overall length	Head width	Head thickness	Handle width	Edge length		
OH-60	237	38	12	53	35	380	110074

Cutting capacity (φmm)	communication cable	Copper core cable	IV Cable
OH-60	20.0	9.0	22

Note: Do not use to cut harder wire or anything above it rated the capacity.