



Power Multi Side Cutting Pliers

200mm PW-114DG / 225mm PW-115DG ECCENTRIC CRIMPING



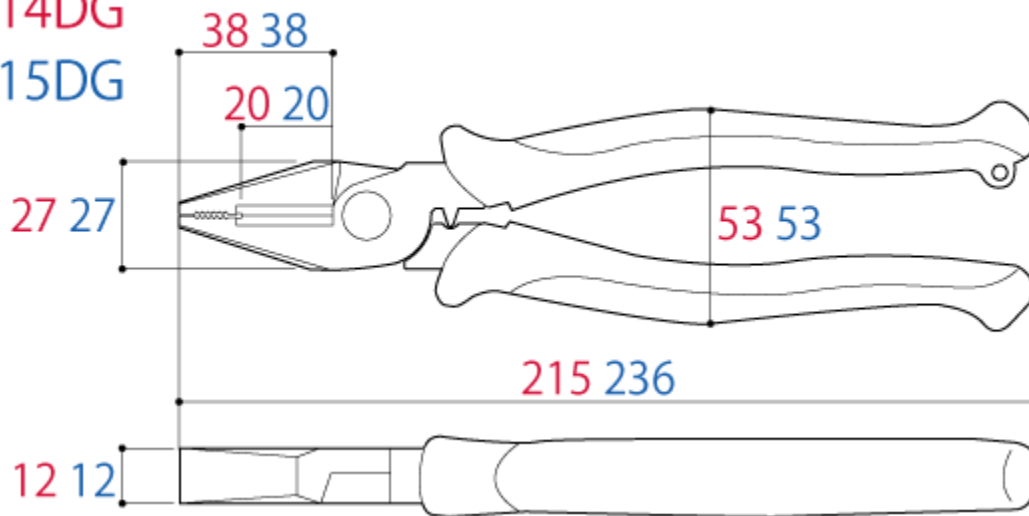
- Thin and light body reduces fatigue.
- Eccentric structure reduces the load required for cutting compared to conventional products.
- Comfortable elastomeric double molded resin grips.
- Improved handle shape.
- Crimping die loaded. *This is not an exclusive crimping tool.
- PVC dipping grip version : [PP-200P/225P](#)

Specifications

- Material | Alloy steel
- Heat Treatment | Induction hardening on edge
- Edge hardness [HRC] | 58~64
- Handle cover | Elastomeric double molded resin grips

PW-114DG

PW-115DG



	Size[mm]						Weight [g]	EAN-code (4952269)
	Overall length	Head width	Head thickness	Handle width	Nose length	Edge length		
PW-114DG	215	27	12	53	38	20	340	111125
PW-115DG	236	27	12	53	38	20	350	113099

Cutting capacity (φmm)	Stainless	Soft iron	Copper	Stranded copper wire [mm ²]	VVF cable
PW-114DG	2.0	3.2	4.0	8.0	2.0 x 3 cores
PW-115DG	2.6	3.2	4.0	8.0	2.0 x 3 cores

Note: Do not use to cut harder wire or anything above it rated the capacity.