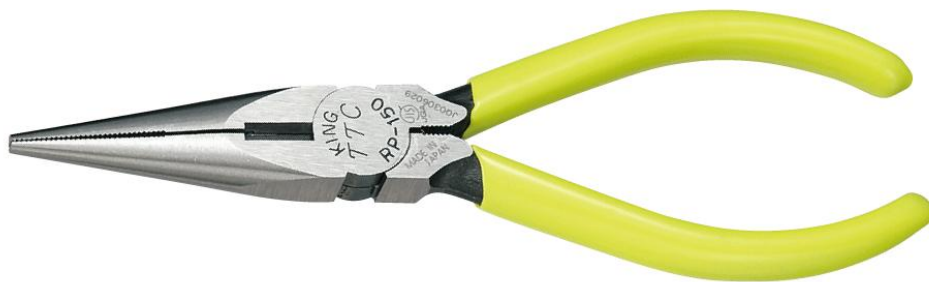




Long Nose Pliers

125mm RP-125 / 150mm RP-150 / 200mm RP-200 JIS(RP-150)

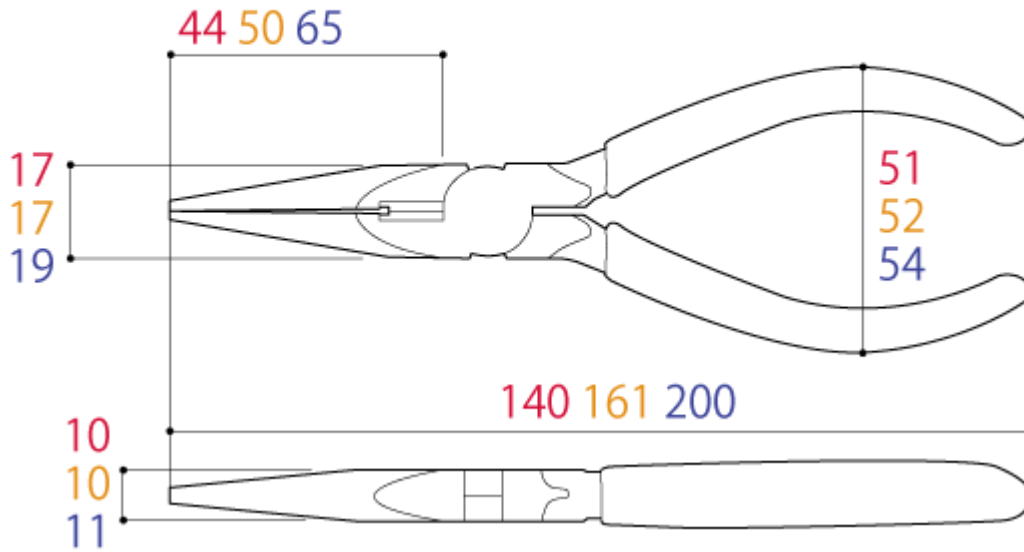


- For cutting wire and bending metal plates.
- *RP-125/200 are not JIS certified because JIS standard for long nose pliers exists only 150mm size.

Specifications

- Material | Carbon steel for machinery (S58C)
- Heat Treatment | Oxide-free heat treatment, Induction hardening on edge
- Body hardness [HRC] | 42~50
- Edge hardness [HRC] | 54~62
- Handle cover | PVC dipping
- Surface treatment | Anti-rust oils

RP-125 / RP-150 / RP-200



	Size[mm]					Weight [g]	EAN-code (4952269)
	Overall length	Head width	Head thickness	Handle width	Nose length		
RP-125	140	17	10	51	44	100	103014
RP-150	161	17	10	52	50	125	103021
RP-200	200	19	11	54	65	180	103038

Cutting capacity (φmm)	Stainless	Soft iron	Copper	Brass	Stranded copper wire [mm ²]
RP-125	1.2	1.8	2.6	2.0	2.0
RP-150	1.6	2.0	2.6	2.0	5.5
RP-200	2.0	2.6	3.2	2.6	8.0

Note: Do not use to cut harder wire or anything above it rated the capacity.