



Snap Ring Pliers Straight-Jaw for Internal Rings

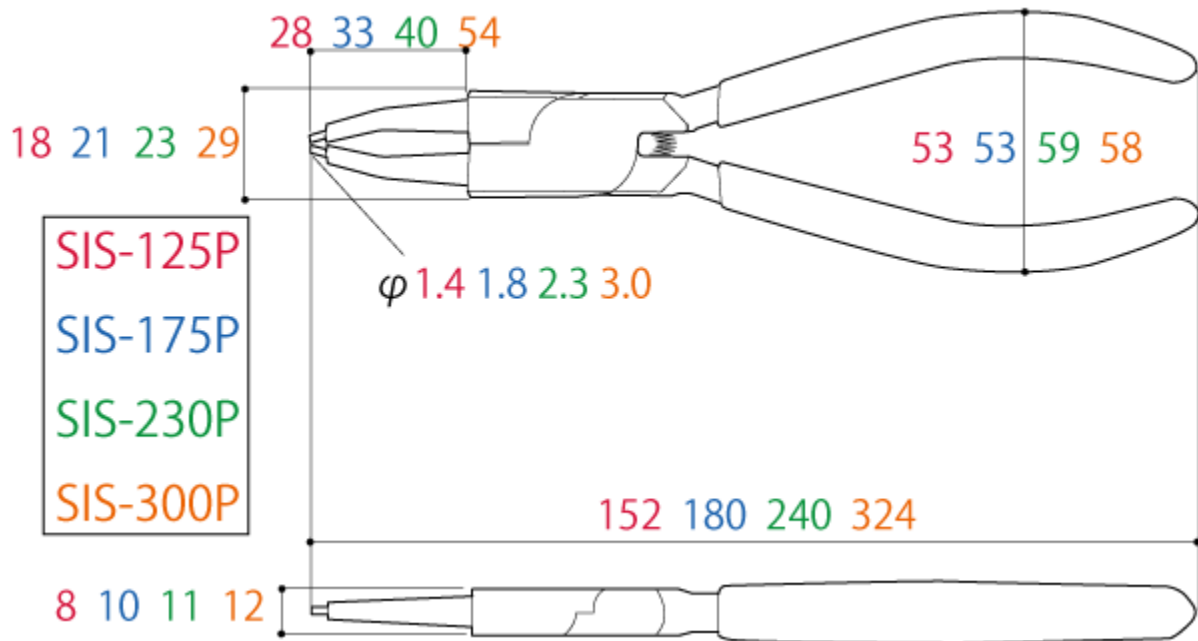
125mm SIS-125P / 175mm SIS-175P / 230mm SIS-230P / 300mm SIS-300P Spring



- New 300mm size is now available!
- For internal snap rings (circlip rings).
- High durability and wear resistance are realized by using piano wire for bits.
- Tapered bit-basement and non-slip processed bit-surface prevent dropping rings out.
- Holding stability improve safety and efficiency of works.

Specifications

- Material(Body) | Alloy steel
- Material (Bit) | Piano wire
- Heat Treatment | Oxide-free heat treatment
- Spring | Coil spring
- Handle cover | PVC dipping



| | Size[mm] | | | | | Weight [g] | JAN-code (4952269) |
|----------|----------------|------------|--------------|----------------|-------------|------------|--------------------|
| | Overall length | Head width | Handle width | Head thickness | Nose length | | |
| SIS-125P | 152 | 18 | 53 | 8 | 28 | 105 | 110104 |
| SIS-175P | 180 | 21 | 53 | 10 | 33 | 150 | 110142 |
| SIS-230P | 240 | 23 | 59 | 11 | 40 | 255 | 110180 |
| SIS-300P | 305 | 29 | 58 | 12 | 54 | 475 | 113549 |

| | Bit diameter : (ϕ mm) | Usable range (mm) |
|----------|-----------------------------|-------------------|
| SIS-125P | 1.4 | 12~25 |
| SIS-175P | 1.8 | 19~60 |
| SIS-230P | 2.3 | 32~80 |
| SIS-300P | 3.0 | 80~165 |