

Accessories

Electric Torque Screwdrivers



TOOL CRIB Item #064000

Prevents broken or dropped tools. Reduces tool bench clutter. Easy operator access.

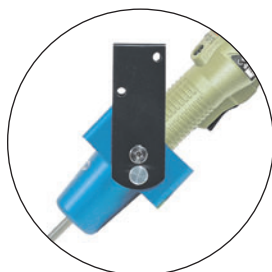
Mounts in a variety of positions on the work bench or the production line. The flexible ToolCrib can rotate to 8 locations.

Hole at the bottom of ToolCrib allows for a bit to pass through.

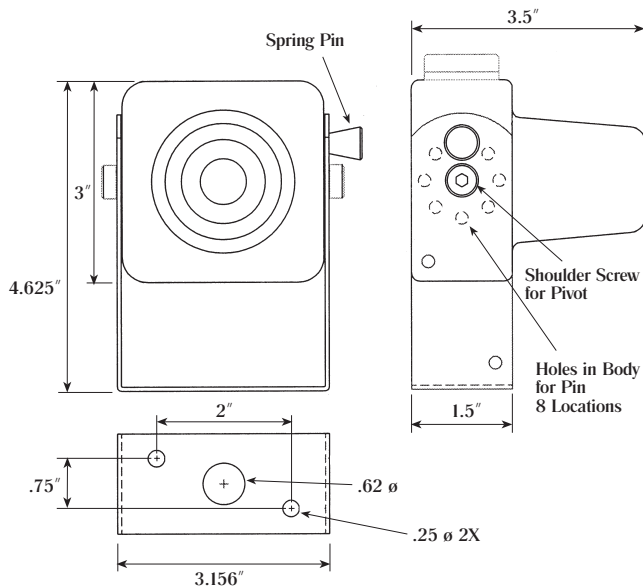
Crafted with durable aluminum.



Surface Mount



Under Table Mount



E-DRIVE® TORQUE COVERS

Protects from incidental or operator tampering of torque setting. Allows for color coding of specific torque values in production areas.

Black Item # 145654
 Blue Item # 145655
 Green Item # 145656
 Gold Item # 145657
 Gray Item # 145658



MOUNTZ RIGHT ANGLE ADAPTER

Designed with an industrial strength pneumatic driver head. Robust and durable. Easily mounts onto nose of driver. Only operational with Lever Start 1/4" F/Hex driver models. Size 4-1/8" x 1-1/2".

K-Series - Item #067061

A4500, A5000, CL4000, SS4000
 Item #067062

A6500, CL6000, CL6500, CL7000
 SS6500, SS7000
 Item #067063

VZ-Series - Item #067064

EF-Series - Item #067065

E-DRIV-Series - Item #067066

Delvo 7100/7200 Series - Item #067067



HIOS RIGHT ANGLE ADAPTER

Only works with Lever Start 1/4" Female Hex drives. Keep torque output to within 70%. Threadstyle: 23.85 dia x 1.5mm pitch

Use with: A6500
 CL6000, CL6500, CL7000
 SS6500, SS7000

Size: 3" x 2-1/4"
 Item #144323



PUSH-TO-START ADAPTER

Converts lever operated tools to Push-to-Start models.

A4500, A5000, CL4000, SS4000
 Item #144342

CL3000, SS3000
 Item #144343



DRIVE ADAPTERS

1/4" F/Hex to 4mm HIOS
 Item #144328

1/4" F/Hex to 5mm HIOS
 Item #144337

4mm HIOS to 1/4" F/Hex
 Item #144327

5mm HIOS to 1/4" F/Hex
 Item #144332



MAGNETIZER / DEMAGNETIZER

Magnetize or demagnetize bits and parts instantly. Shatterproof box is made from durable ABS plastic. 1.94" (49.2) x 2" (50.8)
 Item #120815



PISTOL GRIPS

Converts inline drivers to pistol grip.
(L x H) 7¹/₂" x 5¹/₂", 4 oz.
Specify Model:
CL6000, CL6500, CL7000
A6500, SS6500 or SS7000
Item #144341



EXTENSION CORD

Use in addition to existing power cord. Works with CL, SS, ESD, A, K & EF Series Drivers.

Length: 10 ft.
Item #144180

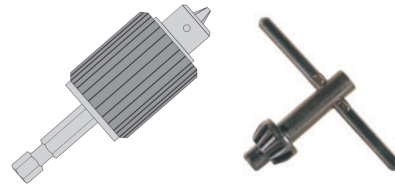
Length: 16 ft.
Item #144181



COILED POWER CORD

Works with CL, SS, ESD, A, K & EF Series Drivers.

Length: 4 ft. coiled
(5 ft. extended)
Item #41F9TR-8100



DRILL CHUCK

Converts all 1/4" drive tools for drilling applications.

Chuck capacity 1/4".
Comes with chuck key.
Item #144331

DRILL CHUCK KEY

Item #144336

TOOL STAND

A rugged adjustable tool support stand. Prevent tool damage due to dropping or mishandling. Convenient tool positioning - adjust both vertically and horizontally. Electric tool cords can be tie-wrapped to the vertical base to keep work station clean. 360 degree swivel. Four foot high, maximum arm length 1.75 feet. A balancer is recommended.

Model: MT-10
Item #060050



Pneumatic Center Block

Fitted with a pre-tapped plumbing holes. For attaching air fittings or air hose on MT-10 Tool Stand.

Item #060050



BENCH CLAMP

Used to clamp MT-10 Tool Stand base to table tops. This handy unit eliminates hole drilling and secures the tool stand in place. It's flexible and ready to move at a moments notice.

Model: 311
Item #180035



TORQUE BUSTER

Designed to reduce operator injuries resulting from the torque transmitted from the power tool to the hand of the operator. High user comfort, decreases injuries, works in all orientations, and fits most power tools

Item #144315