



## Thin Blade Plastic Cutter

120mm TM-02 SpringBOX JOINT



- Recommended for cutting plastic gates of miniature models.
- Exclusive use for plastic.

### Features of Trinity series products

**Trinity**

**Long-life & high durability  
Box joint structure**



**Adjustable & durable  
Leaf springs**

Even if jaw opened fully, leaf spring does not broken like a coil type spring. Also the resilience can be adjusted to your preference.

**Double molded  
Elastomer resin cover**

Originally developed cover shape fits the hand and reduce fatigue of works. Using Eco-friendly burnable material.



**Inside:  
Firm texture**

**Outside:  
Soft texture for hands**



Bend springs towards this direction gradually to strengthen resilience.

## Box joint

Long-life stability, none-backlash.

## Leaf springs

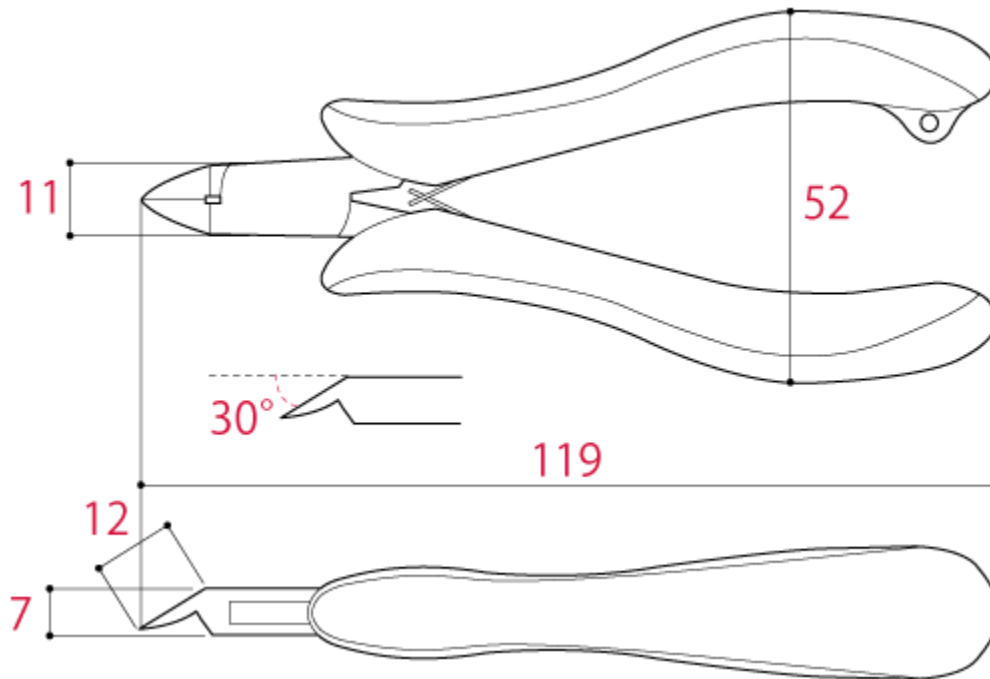
Long-life and high durability. Adjustable resilience.

## Comfortable elastomeric double molded resin grips

Using eco-friendly elastomer resin which does not emit dioxin when it is burned. Original designed grip realized ideal weight balance and work efficiency improvement.

## Specifications

- Material | Alloy steel
- Heat Treatment | Induction hardening on edge
- Hardness | 54~62
- Spring | Leaf springs
- Handle cover | Elastomeric double molded resin grips



	Size[mm]						Weight [g]	EAN-code (4952269)
	Overall length	Head width	Head thickness	Handle width	Edge length	Head angle		
TM-02	119	11	7	52	12	30°	60	110234

Cutting capacity (φmm)	Plastic
TM-02	3.0

Note: Do not use to cut harder wire or anything above it rated the capacity.